

Model: RIALTO Fabric Roof Bioclimatic Pergola®

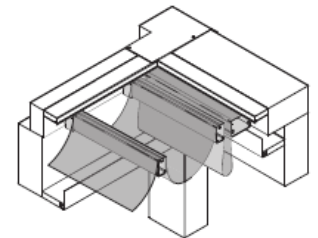
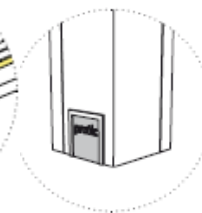
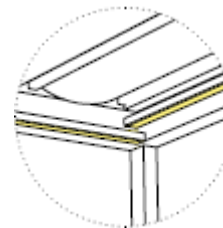
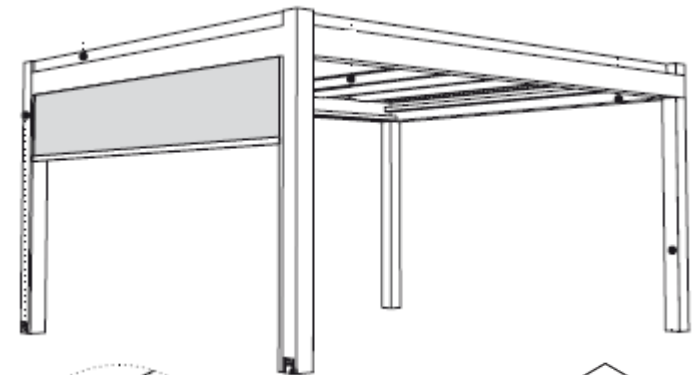
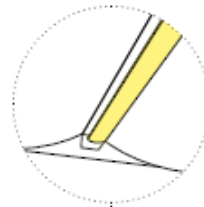
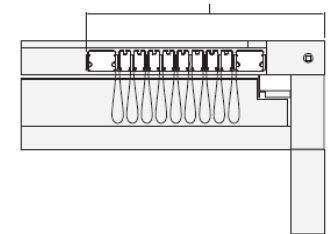
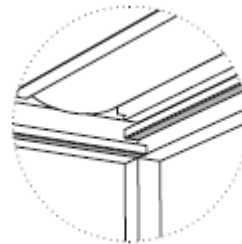
Revised 02/20/2023



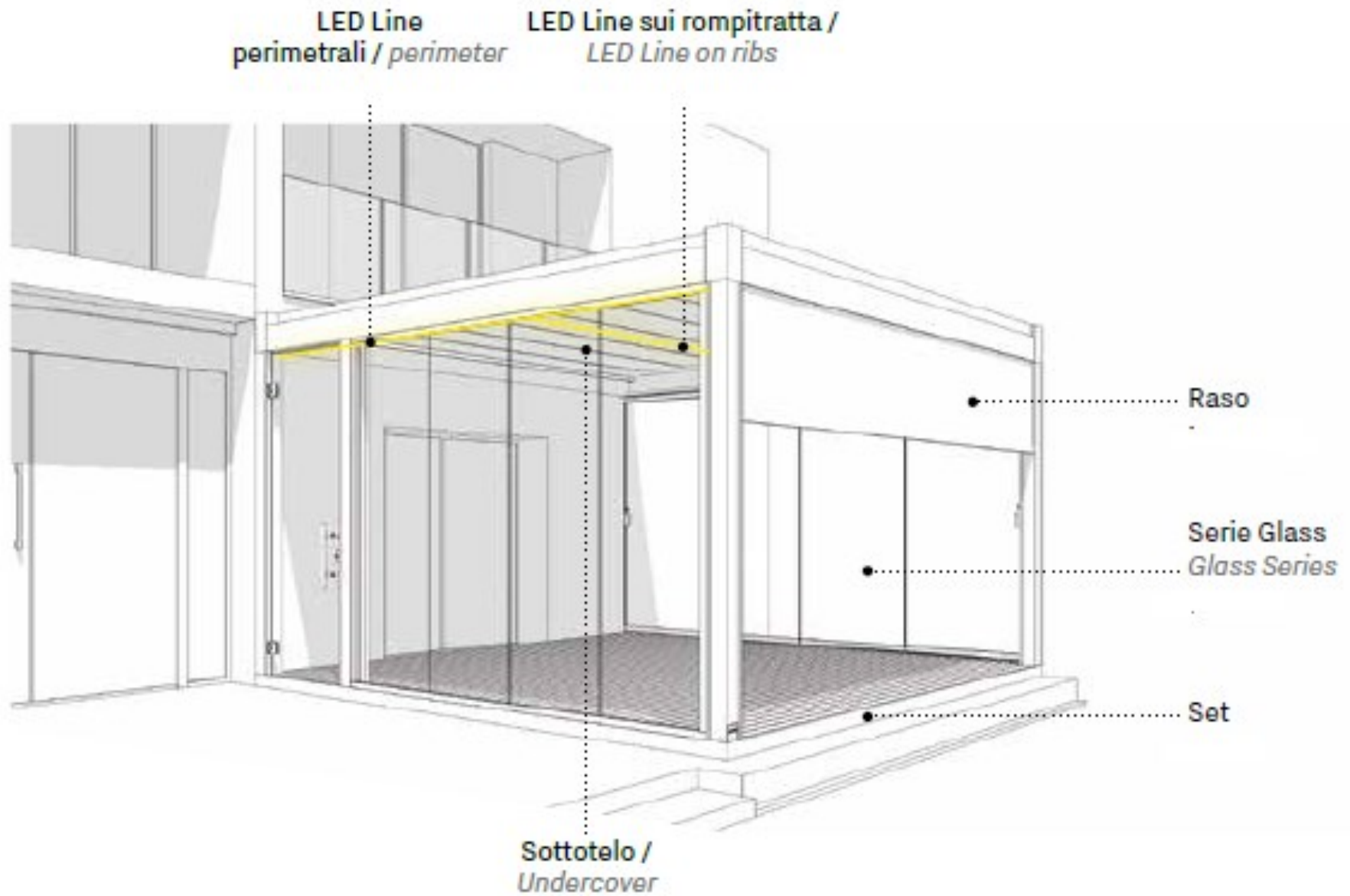
Application	Maximum Width	Maximum Projection	Options
Free Standing or Wall Mounted Commercial & Residential	5.5 m / 18 ft. wide per module	7 m / 22' 11" proj.	Undercover, LEDS, Heaters, Set Flooring Slide Glass

PRODUCT FEATURES:

- Retractable fabric roof pergola.
- Ideal for free standing or wall mounted applications or where flat installations are required.
- Integrated gutter and downspouts for water drainage.
- Arched fabric for better water management.
- Multiple modules can be mounted side by side with common posts to create larger width.
- All aluminum frame powder coated
- Motorized all sizes.
- Powered with a Somfy Motor.
- Screens not available with Rialto, specify Nomo model instead



FUNDAMENTALS: RIALTO



RIALTO: Installations



RIALTO: Residential Installations



RIALTO ADVANTAGES

The rounded arched fabric allows for a compact structure design. The supporting profile and guides are 12 ½” high (32 cm).

Tilting gutter is a Pratic patent managing water discharge within the structure. Optional telescoping post feet are available for ease of installation.



The RIALTO offers more pre-assembled structure components for a safer and easier installation on site.

The RIALTO RGB LED multi-colored lighting offers a fascinating elegant remote-controlled lighting option (White lights included).

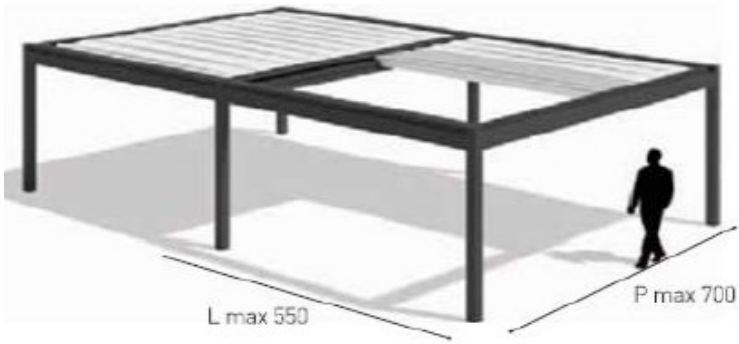
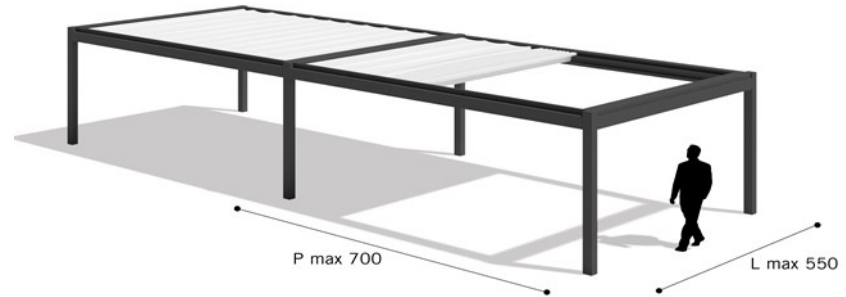
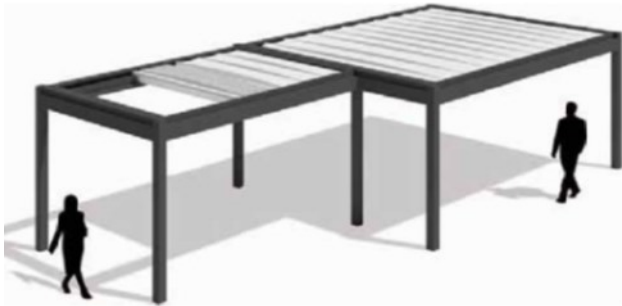
RIALTO is a solid made-to-measure structure that can reach large sizes (18' x 22' 11"). Coupling of multiple structures is possible with minimal intermediate posts.

RIALTO: Some possible model configurations

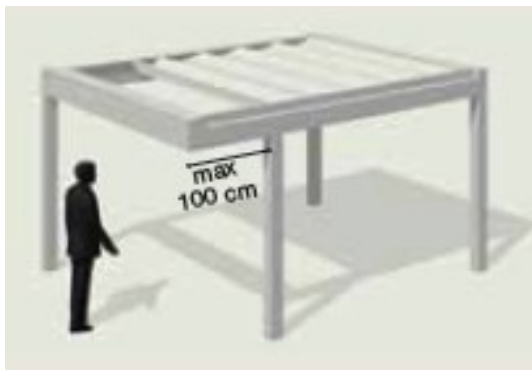


More configurations

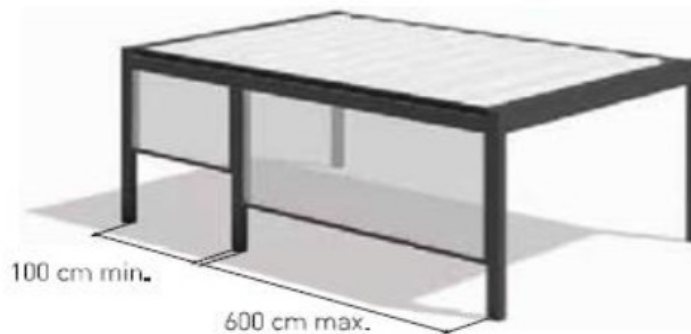
C STRUCTURES JOINED ALONG DEPTH SIDE P WITH DIFFERENT WIDTHS



RASO SCREENS NOMO ONLY



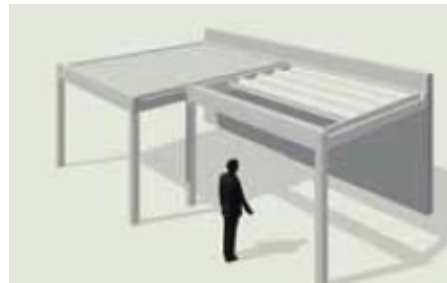
Cantilevered post maximum 100 cm or 39" from corner.



Out of standard configurations



Inquire with Sunair® office on any system that pairs modules on both the (L) width side and (P) projection side simultaneously at the same time.



Inquire with Sunair office on this possibility eliminating center post at front

Available with max width 6 meters x 4 meters projection (19' 8" Wide x 13' 1 1/2" Projection). Optional cantilevered posts not available in this configuration.



Rialto unit mounted wall to wall. Available with Rialto single module only. Max size in this configuration is 5.5 meters x 7 meters projection (approx.: 18' w x 22' 11" proj.) Please inquire with Sunair on exact size available. NOTE: Customer has to add their own discharge water tray and down spout for water management.

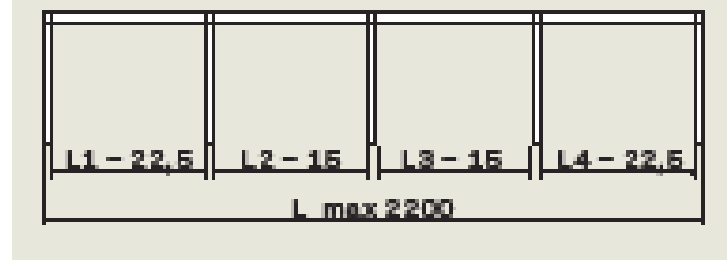
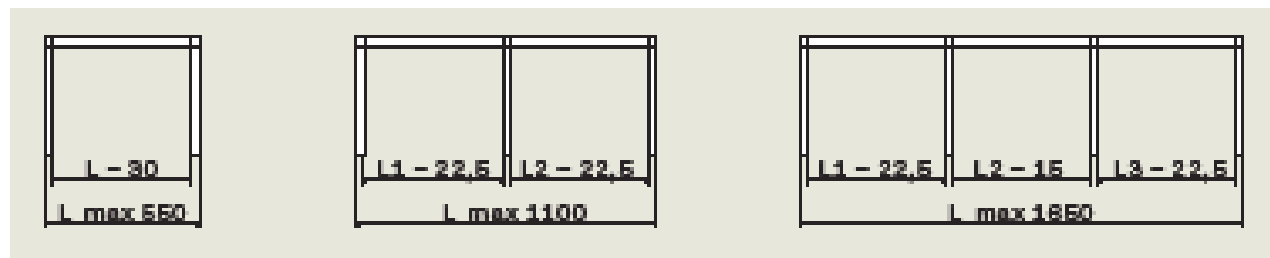
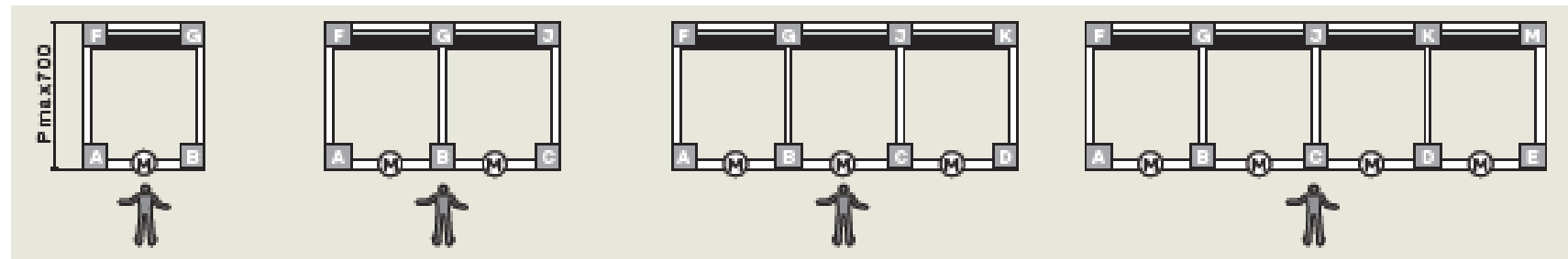


Also inquire on uneven sections or modules to be joined.



RIALTO

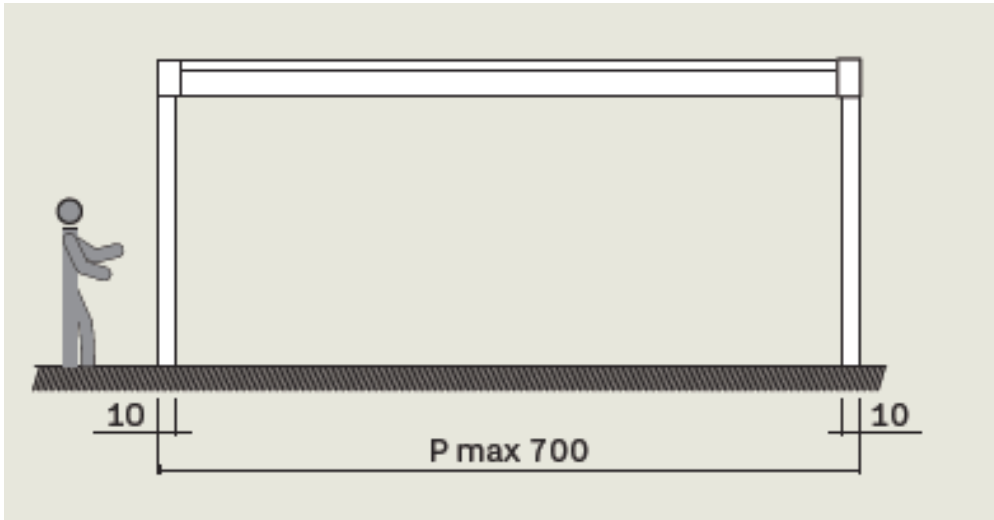
01L : Free standing and if multiple Coupled on projection side.



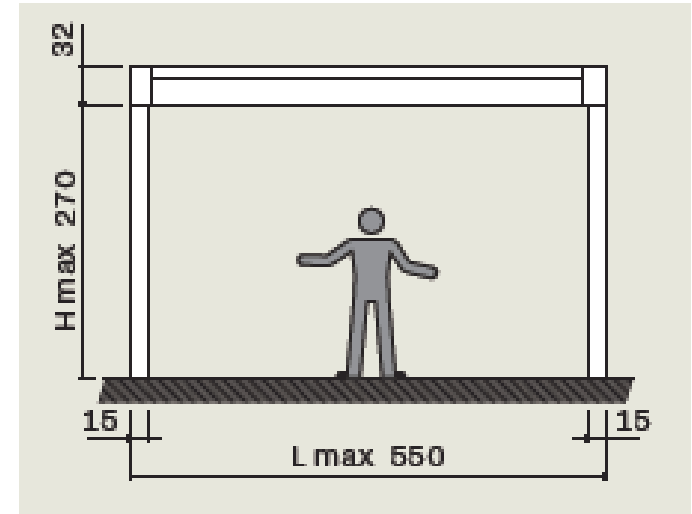
Note: Raso screens not available with RIALTO model.

01L : RIALTO Free standing con't.

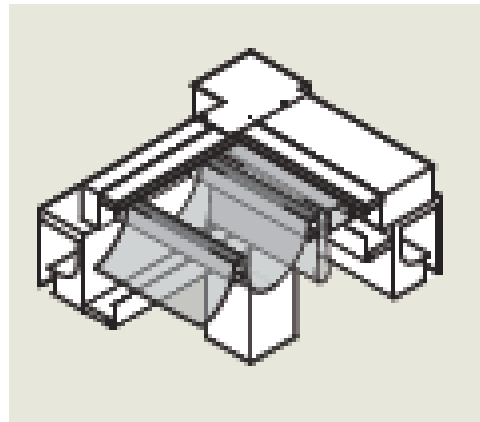
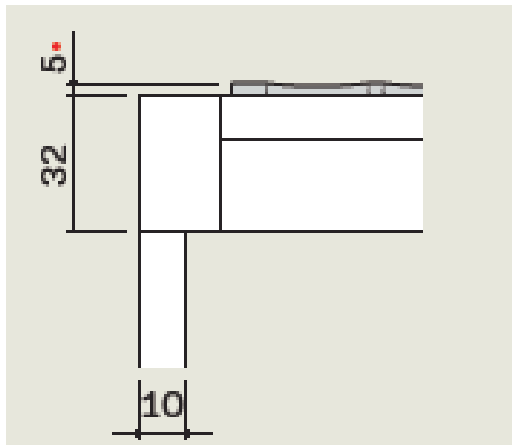
SIDE VIEW



FRONT VIEW

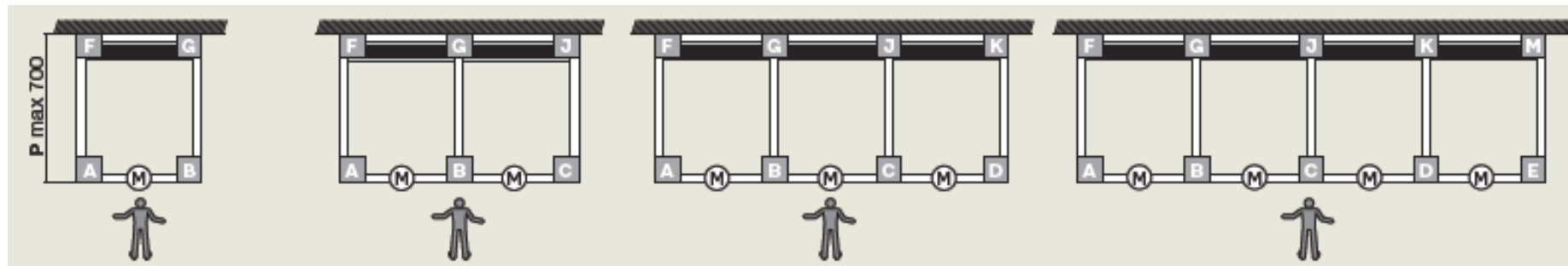


*NOTE: Maximum projection of the cover centered on post at front

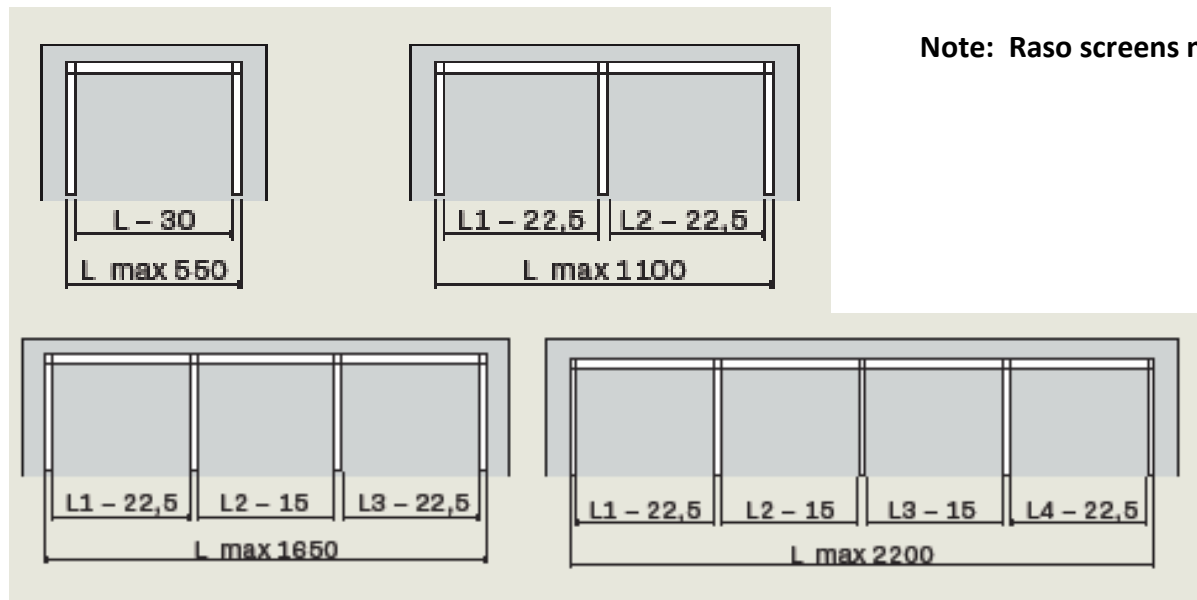


*NOTE: Fabric ribs of unit "Arches" upwards and extends upwards of 5 cm or 2.54 " above the top of the structure gutter/beam in center or "apex". Make sure you allow for that extra height in middle if unit goes over an overhang. Above represents maximum extension of the ribs and fabric cover in center of structure / see above left illustration

RIALTO 02L : Wall Mounted and if multiple Coupled on projection side.

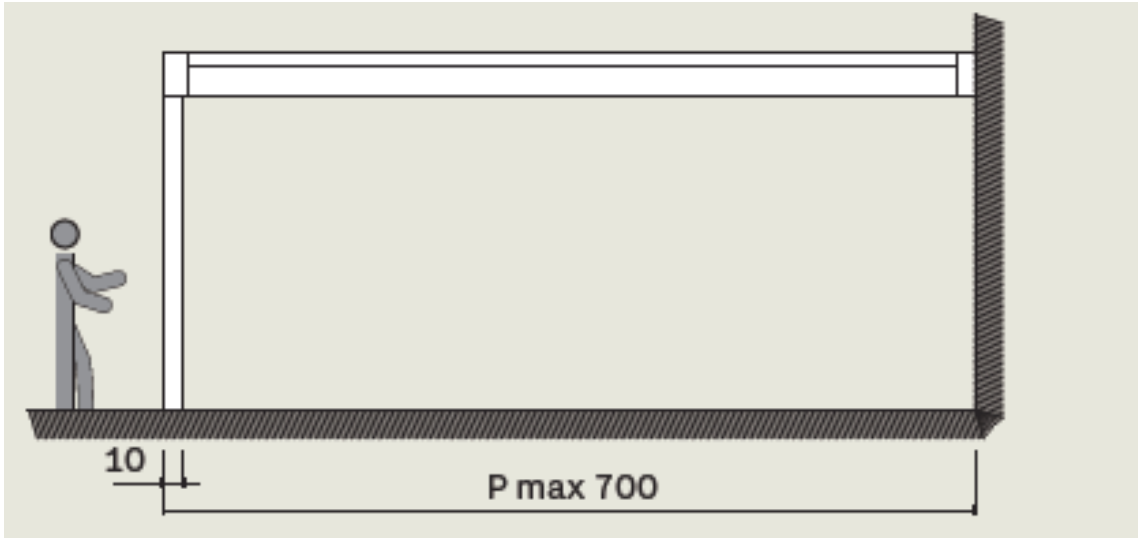


Note: Raso screens not available with RIALTO model.

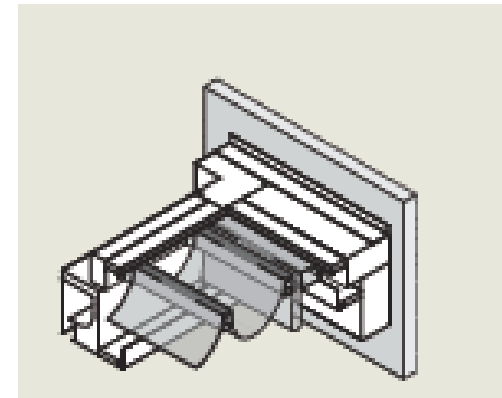
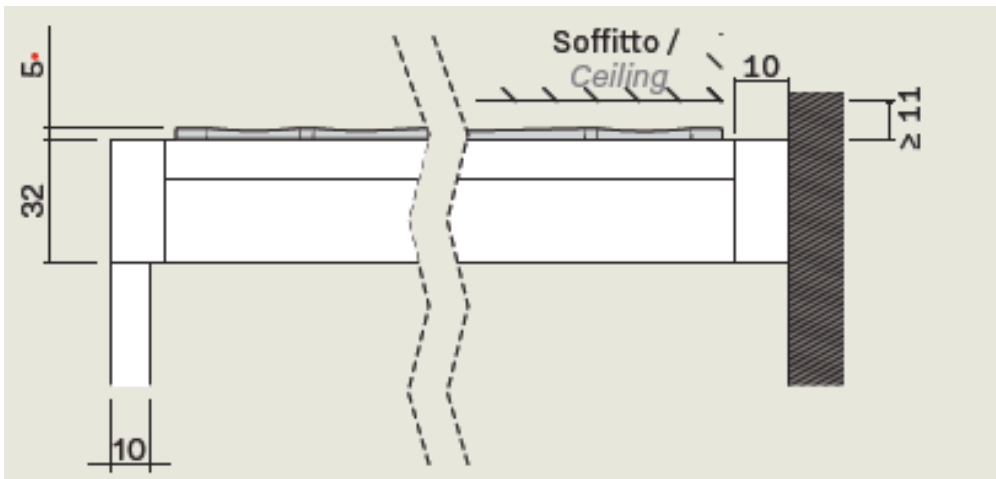
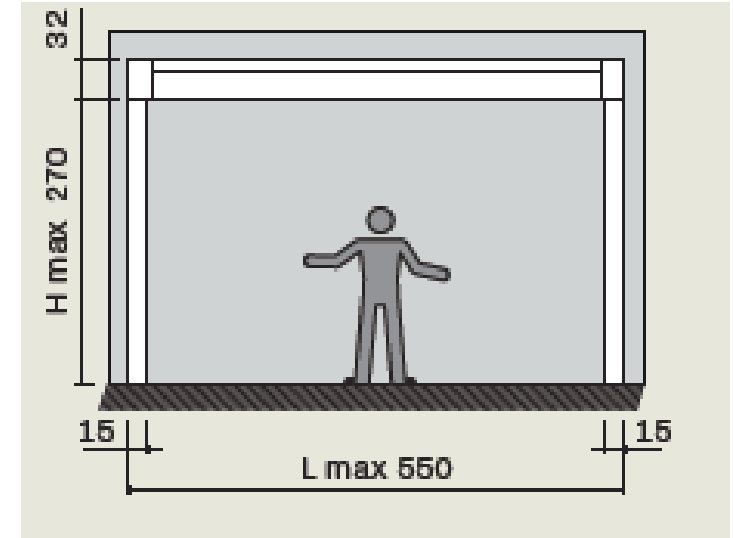


RIALTO 02L : Wall Mounted con't.

SIDE VIEW

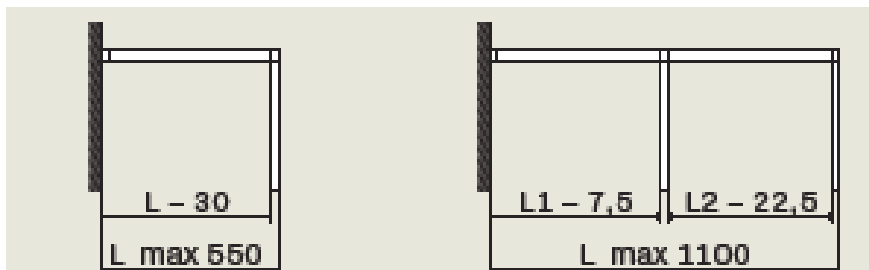
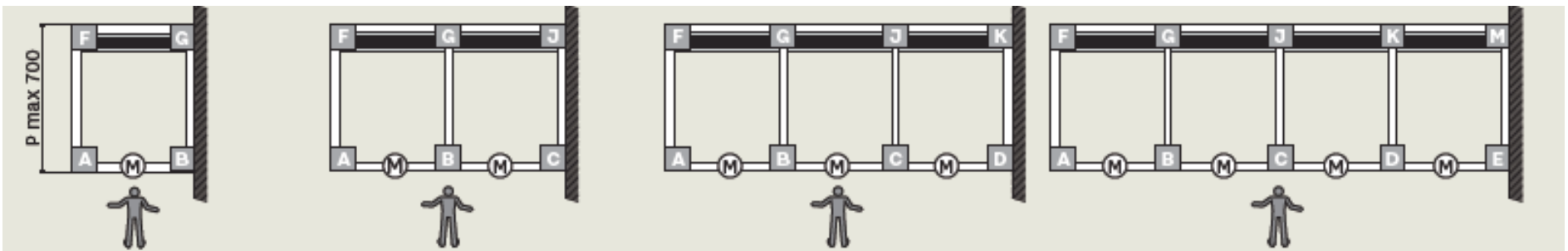
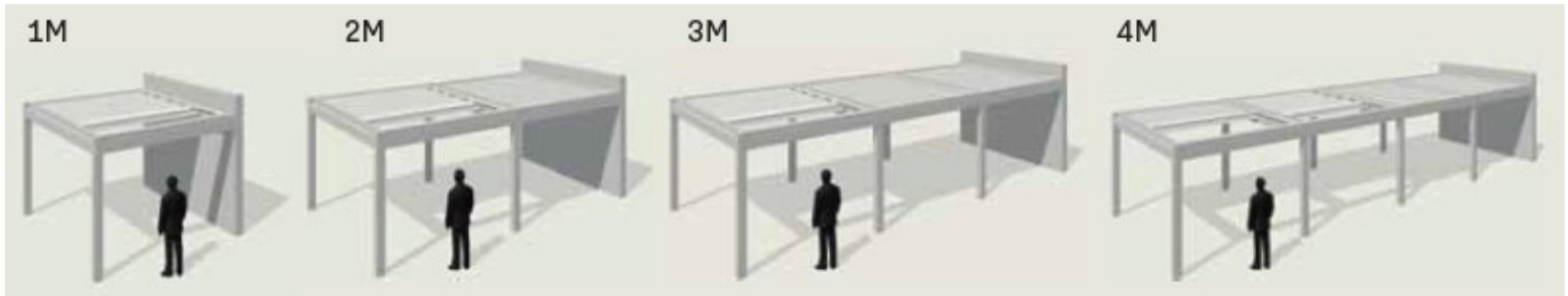


FRONT VIEW



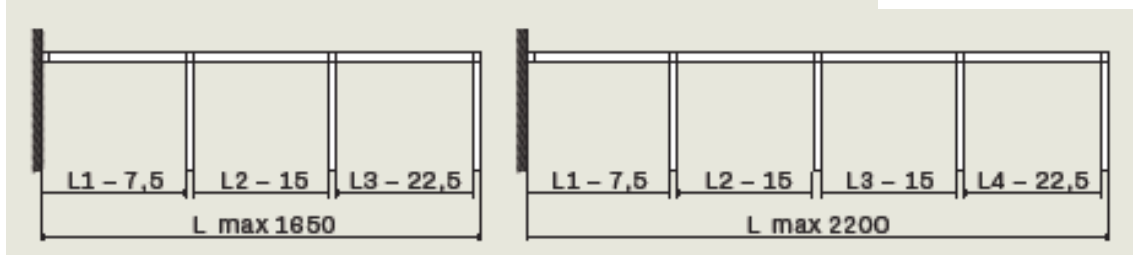
***NOTE:** Fabric ribs of unit "Arches" upwards and extends upwards of 5 cm or 2.54 " above the top of the structure gutter/beam in center or "apex". Make sure you allow for that extra height in middle if unit goes over an overhang. Above represents maximum extension of the ribs and fabric cover in center of structure / see above left illustration

RIALTO 03L : Wall Mounted and if multiple Coupled on width side.



Note:

Drainage capability is reduced on this version due to one side being at the wall.

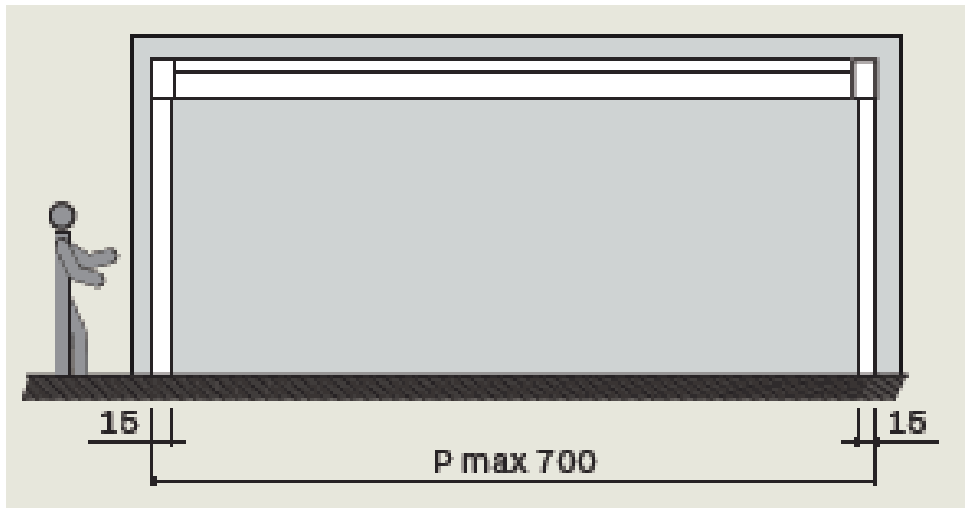


Note:

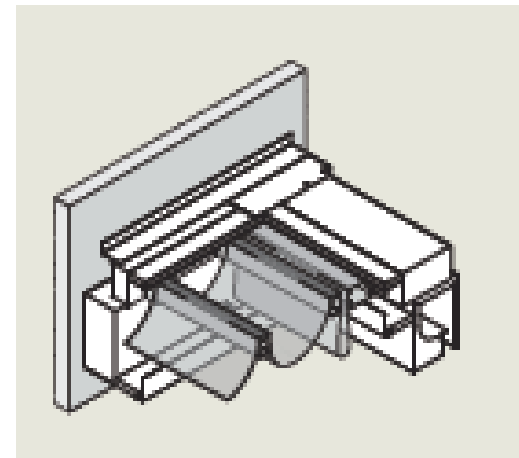
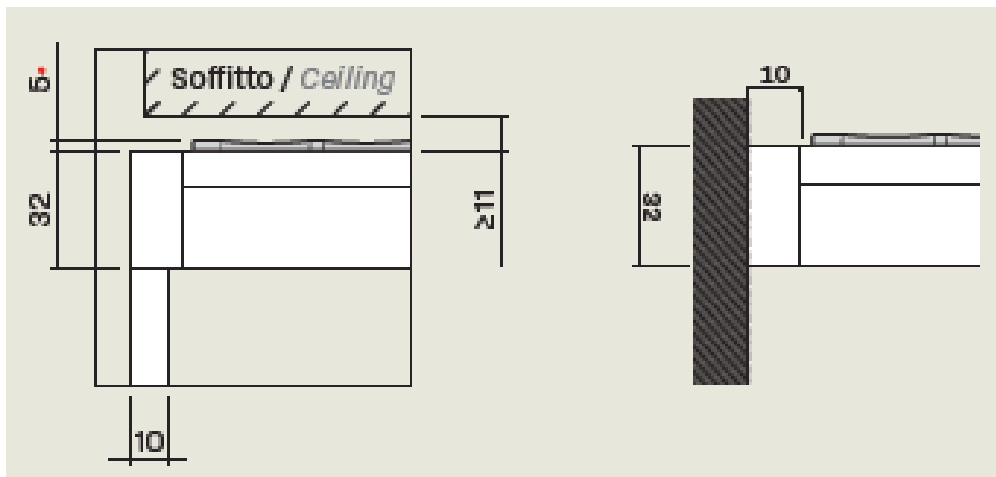
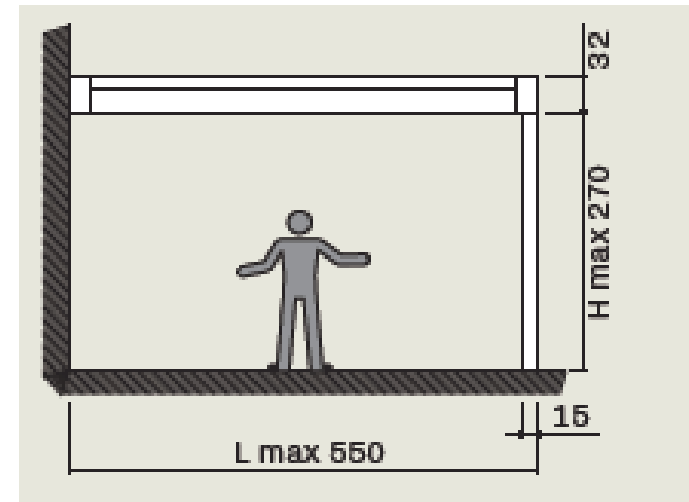
Raso screens not available with RIALTO model.

RIALTO 03L : Wall Mounted con't.

SIDE VIEW

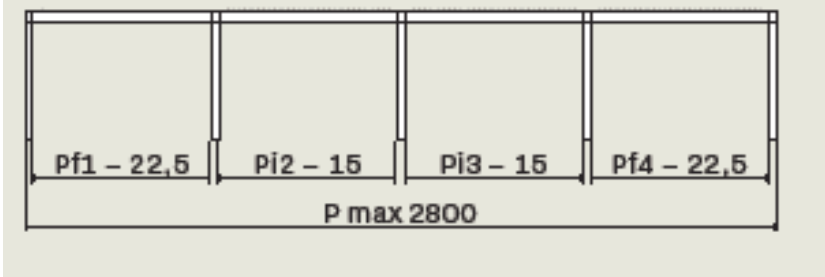
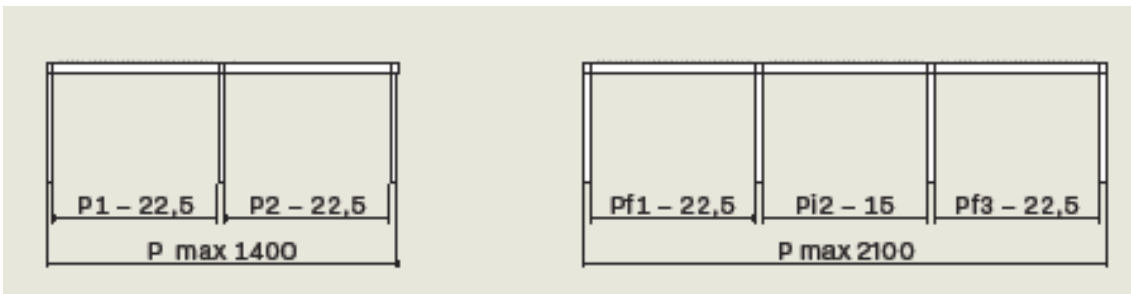
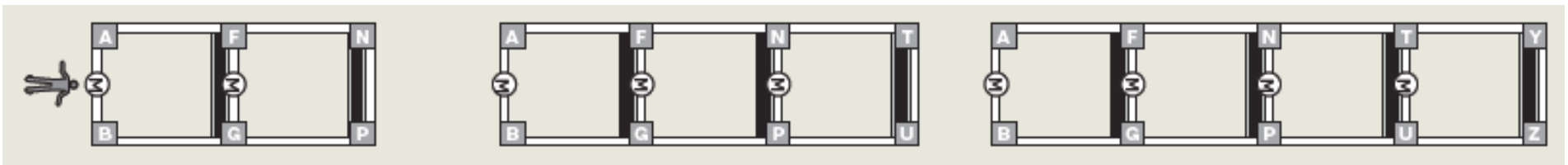


FRONT VIEW



***NOTE:** Fabric ribs of unit "Arches" upwards and extends upwards of 5 cm or 2.54 " above the top of the structure gutter/beam in center or "apex". Make sure you allow for that extra height in middle if unit goes over an overhang. Above represents maximum extension of the ribs and fabric cover in center of structure / see above left illustration

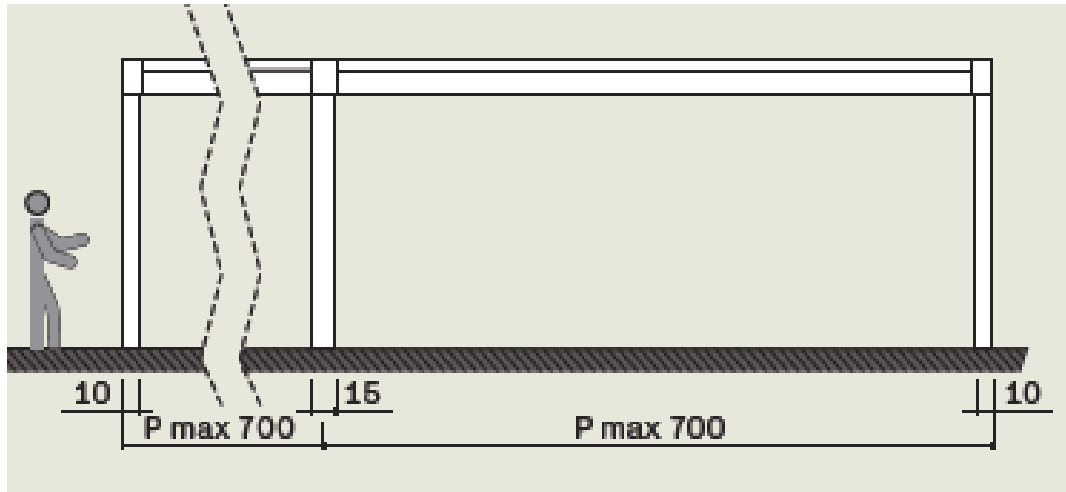
RIALTO 01P : Free Standing and if multiple Coupled on width side.



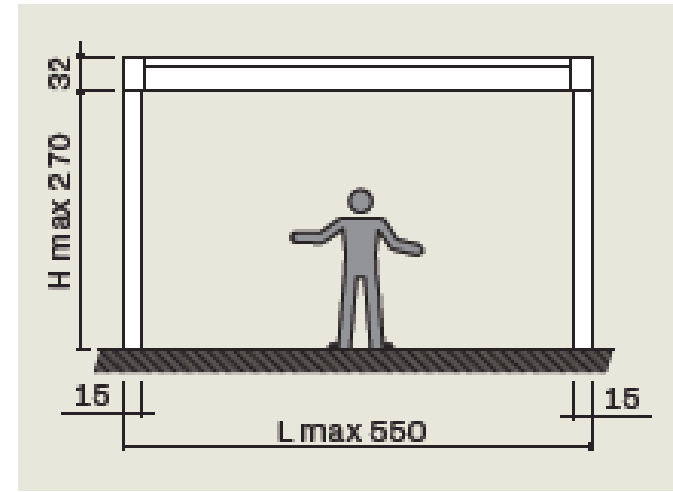
Note: Raso screens not available with RIALTO model.

RIALTO 01P : Free Standing con't.

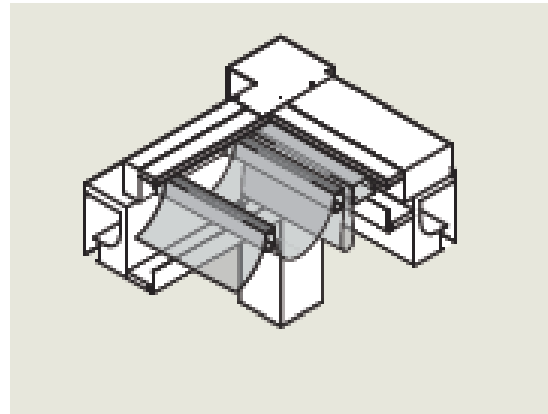
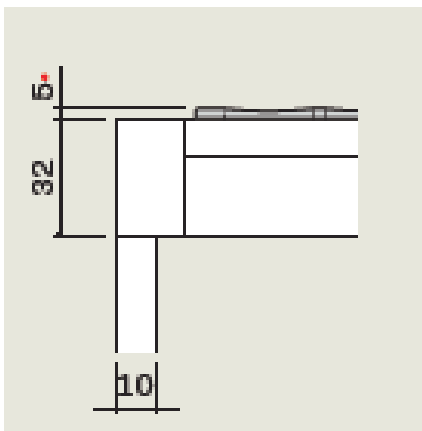
SIDE VIEW



FRONT VIEW

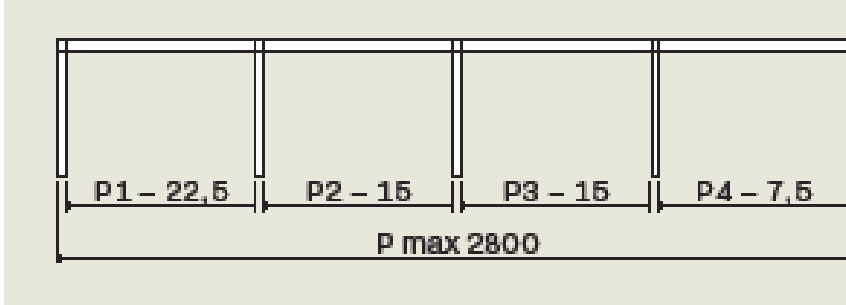
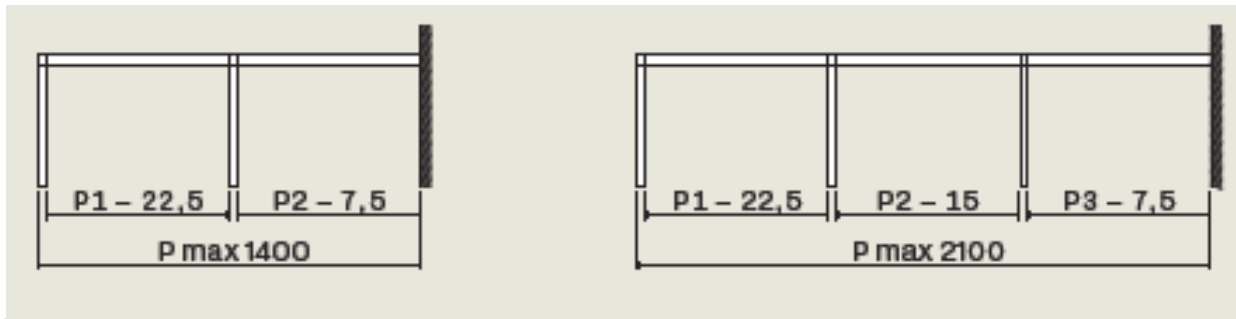
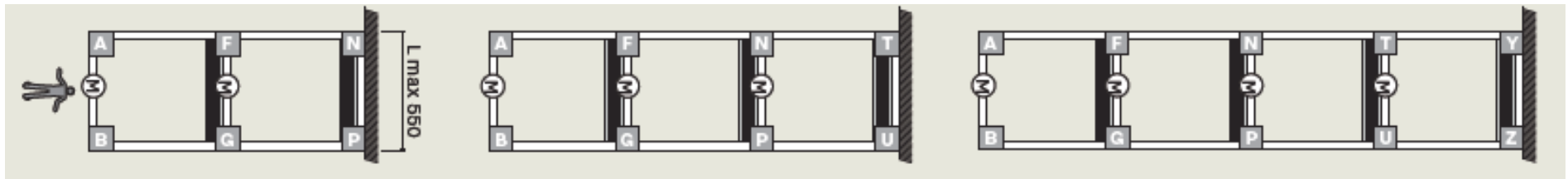


*NOTE: Maximum projection of the cover centered on post at



*NOTE: Fabric ribs of unit "Arches" upwards and extends upwards of 5 cm or 2.54 " above the top of the structure gutter/beam in center or "apex". Make sure you allow for that extra height in middle if unit goes over an overhang. Above represents maximum extension of the ribs and fabric cover in center of structure / see above left illustration

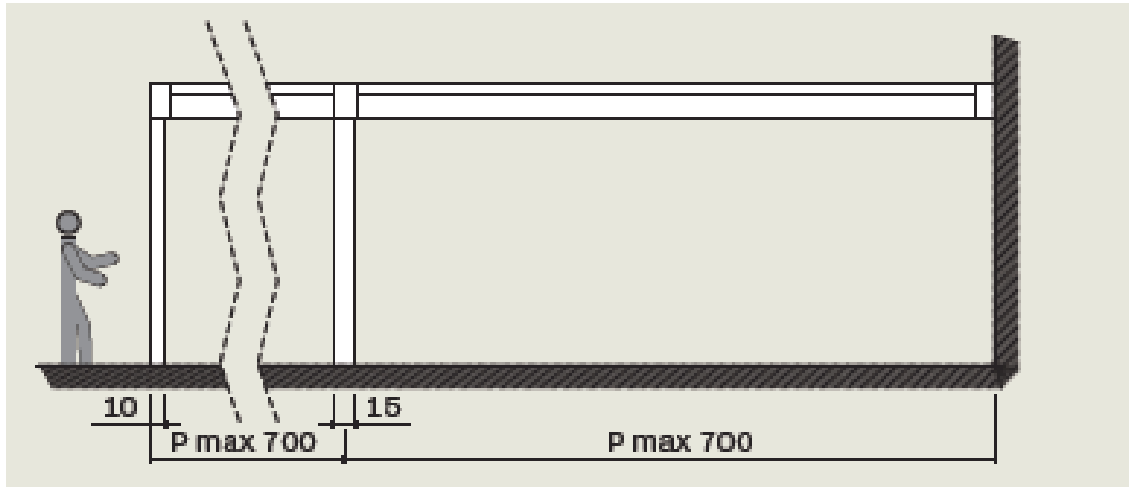
RIALTO 02P : Wall Mounted and if multiple Coupled on width side.



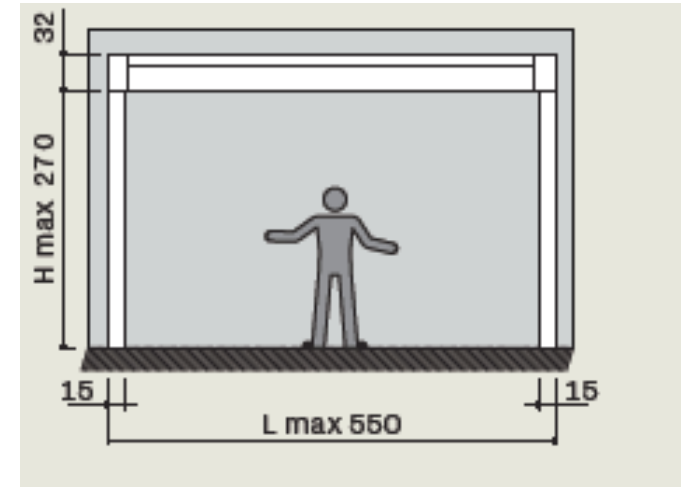
Note: Raso screens not available with RIALTO model.

RIALTO 02P : Wall Mounted con't.

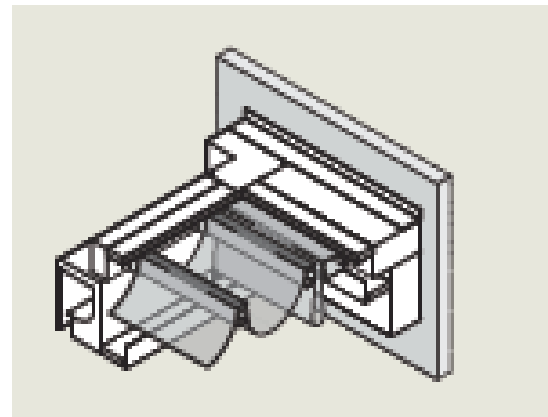
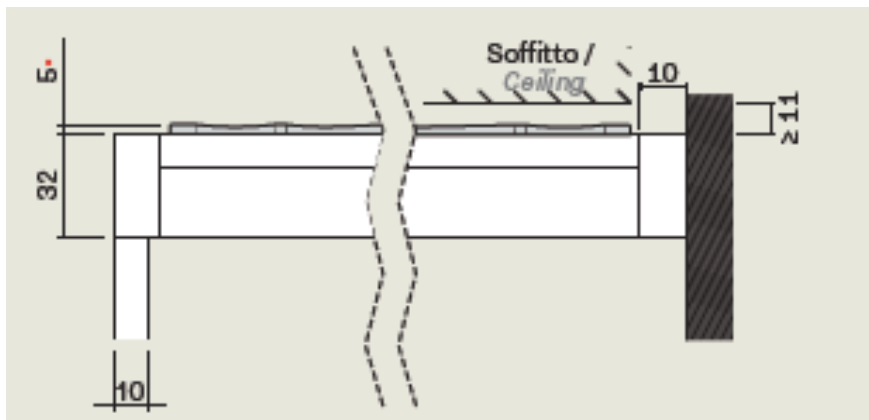
SIDE VIEW



FRONT VIEW

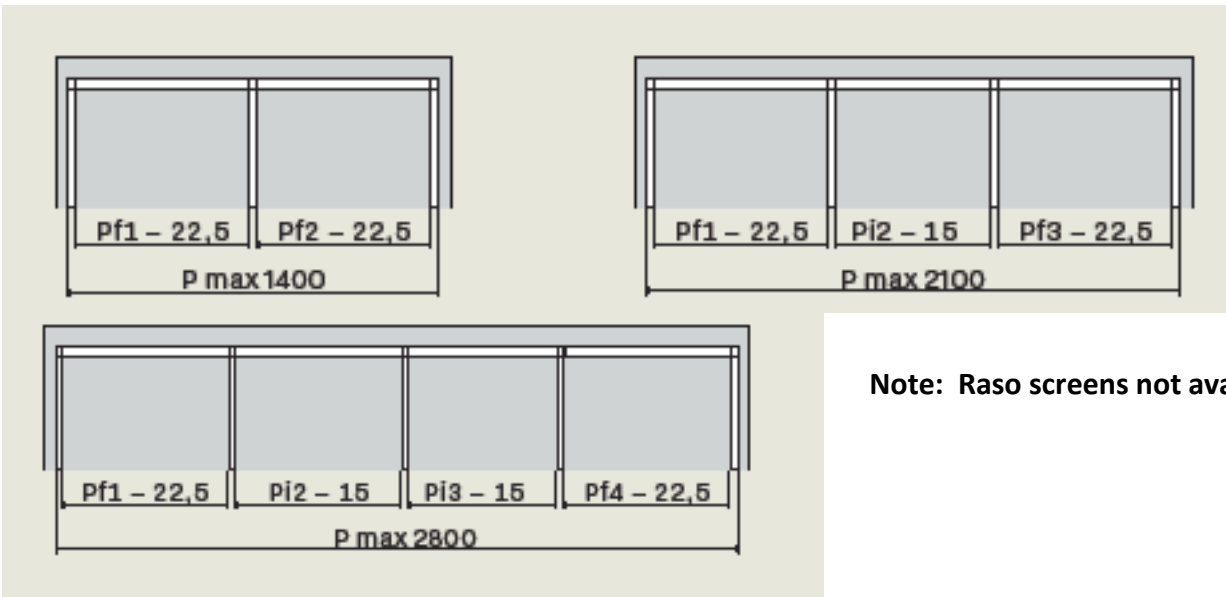
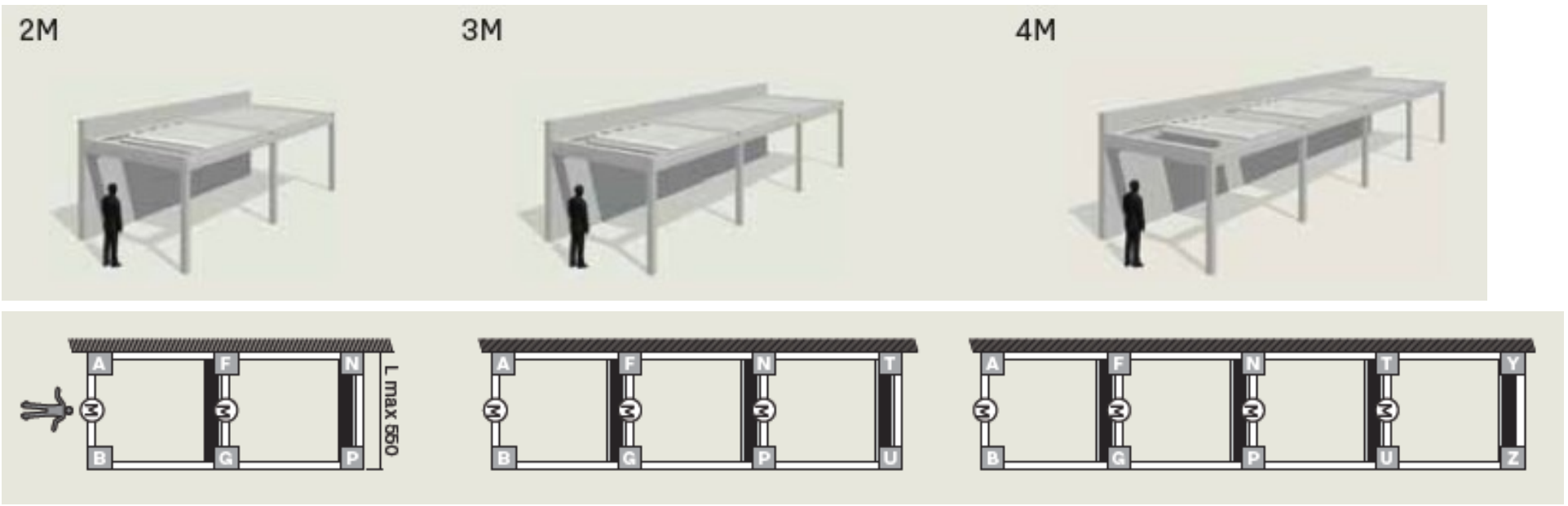


*NOTE: Maximum projection of the cover centered on post



*NOTE: Fabric ribs of unit "Arches" upwards and extends upwards of 5 cm or 2.54 " above the top of the structure gutter/beam in center or "apex". Make sure you allow for that extra height in middle if unit goes over an overhang. Above represents maximum extension of the ribs and fabric cover in center of structure / see above left illustration

RIALTO 03P : Wall Mounted and if multiple Coupled on Projection side.

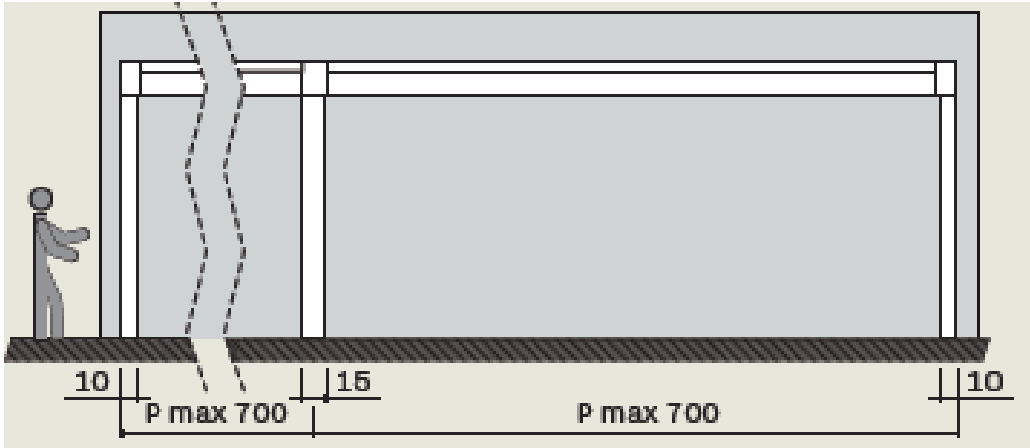


Note: Drainage capability is reduced on this version due to one side of the arch being at the wall. If an additional drainage point can be added along the wall this is better.

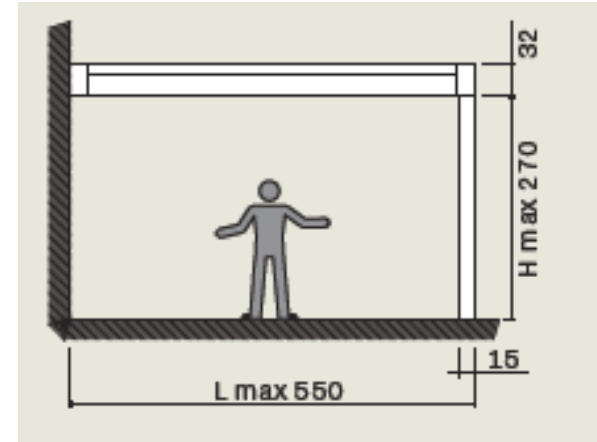
Note: Raso screens not available with RIALTO model.

RIALTO 03P : Wall Mounted con't.

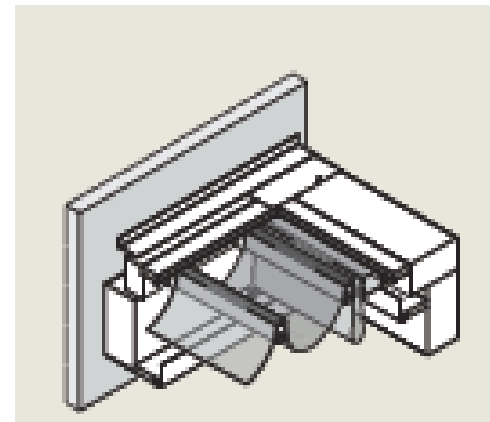
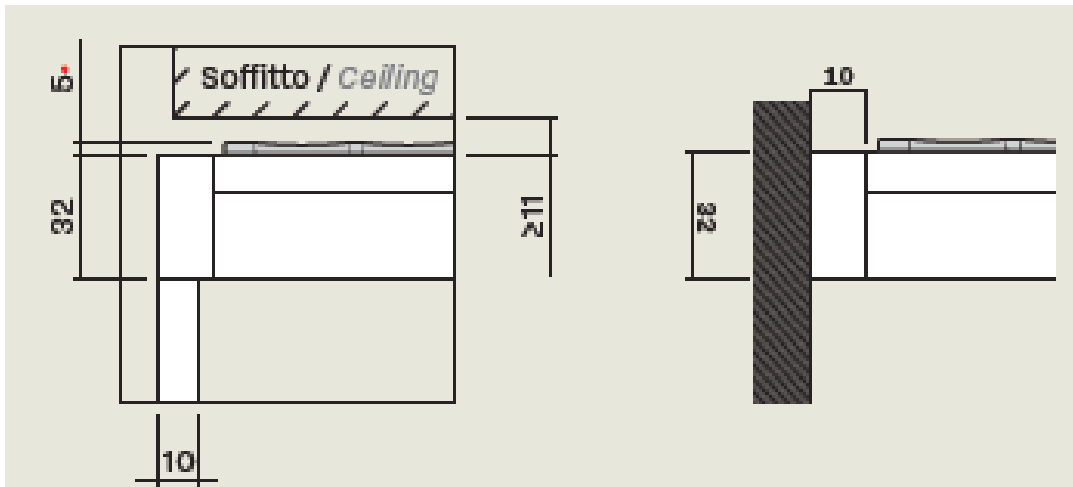
SIDE VIEW



FRONT VIEW



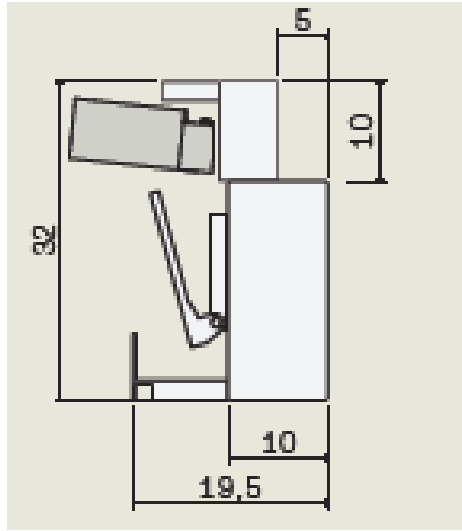
*NOTE: Maximum projection of the cover centered on post



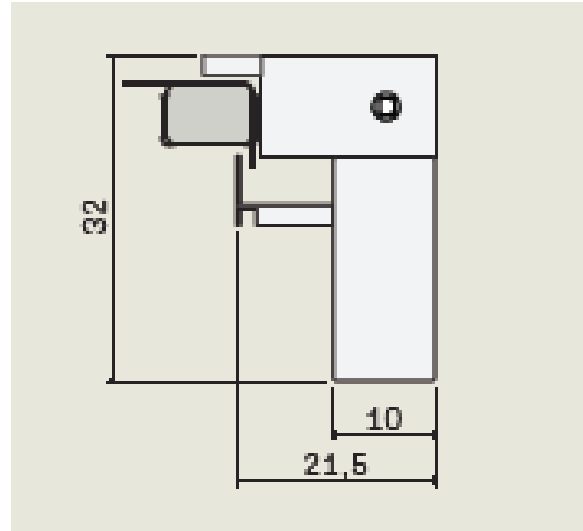
*NOTE: Fabric ribs of unit "Arches" upwards and extends upwards of 5 cm or 2.54 " above the top of the structure gutter/beam in center or "apex". Make sure you allow for that extra height in middle if unit goes over an overhang. Above represents maximum extension of the ribs and fabric cover in center of structure / see above left illustration

RIALTO technical Details.

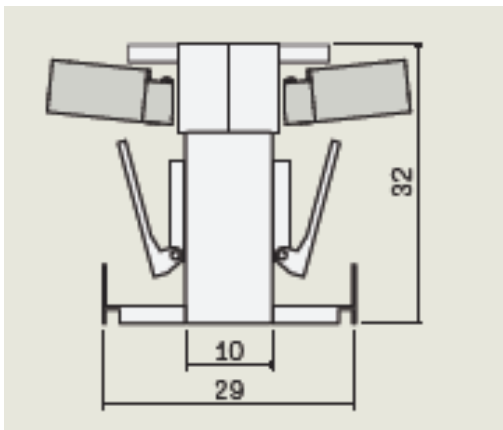
Supporting Box Profile Projection side



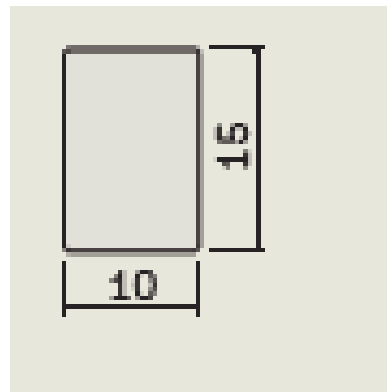
Supporting Box Profile Width side



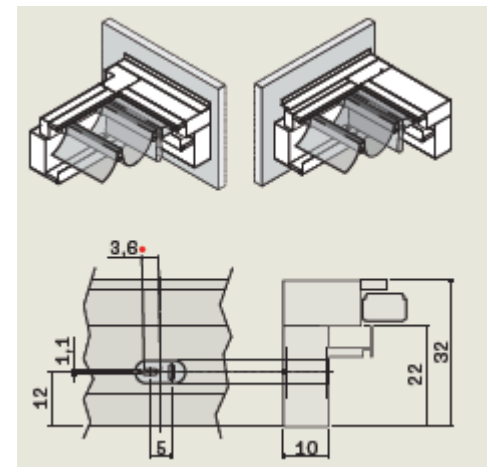
Intermediate Supporting Profile



Post Profile

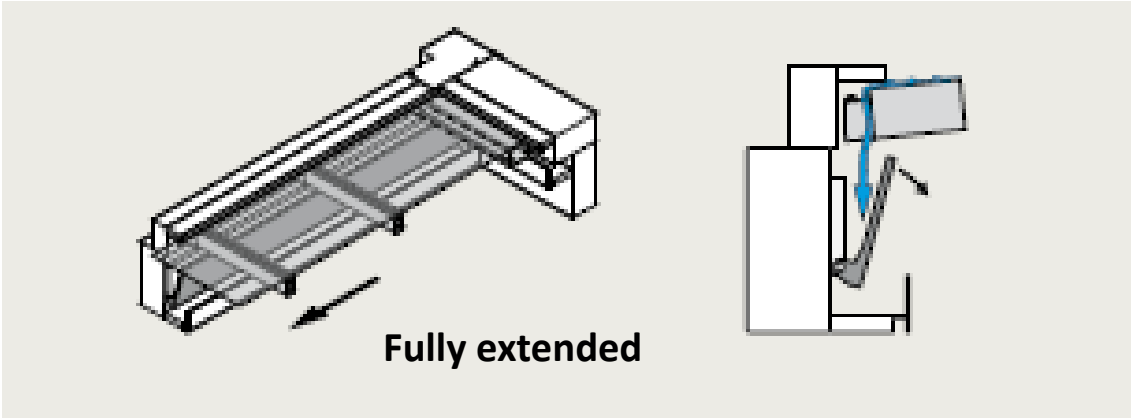
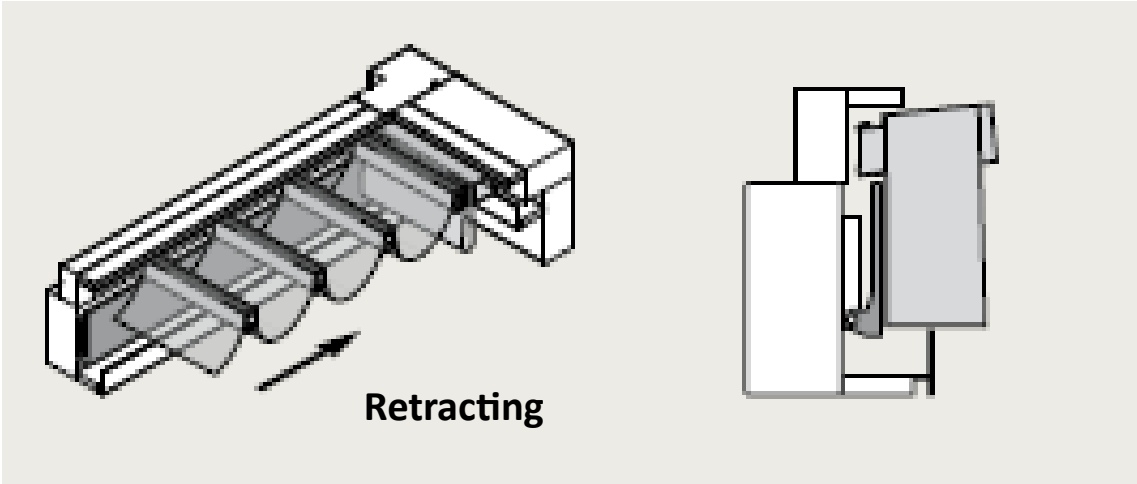


Wall Mounting With Profile

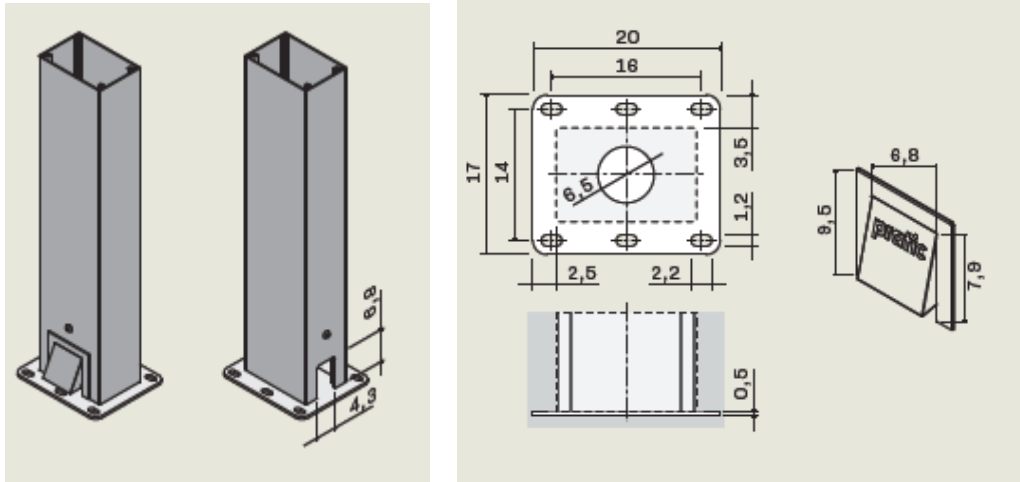


RIALTO More Technical Details.

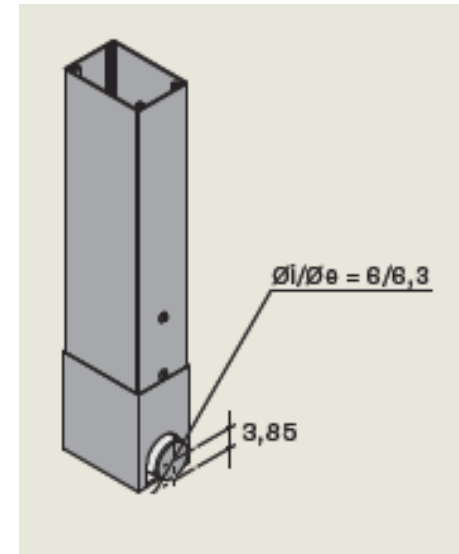
Tilting Gutter



RIALTO Post options.



STANDARD POST & FOOT PLATE



TELESCOPING FOOT PLATE

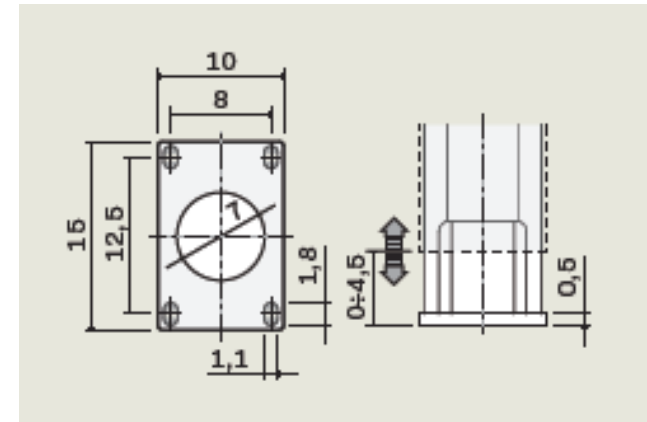
POST HEIGHTS:

Standard under gutter 90" (230 cm)

Up to 98" no additional cost. (250 cm)

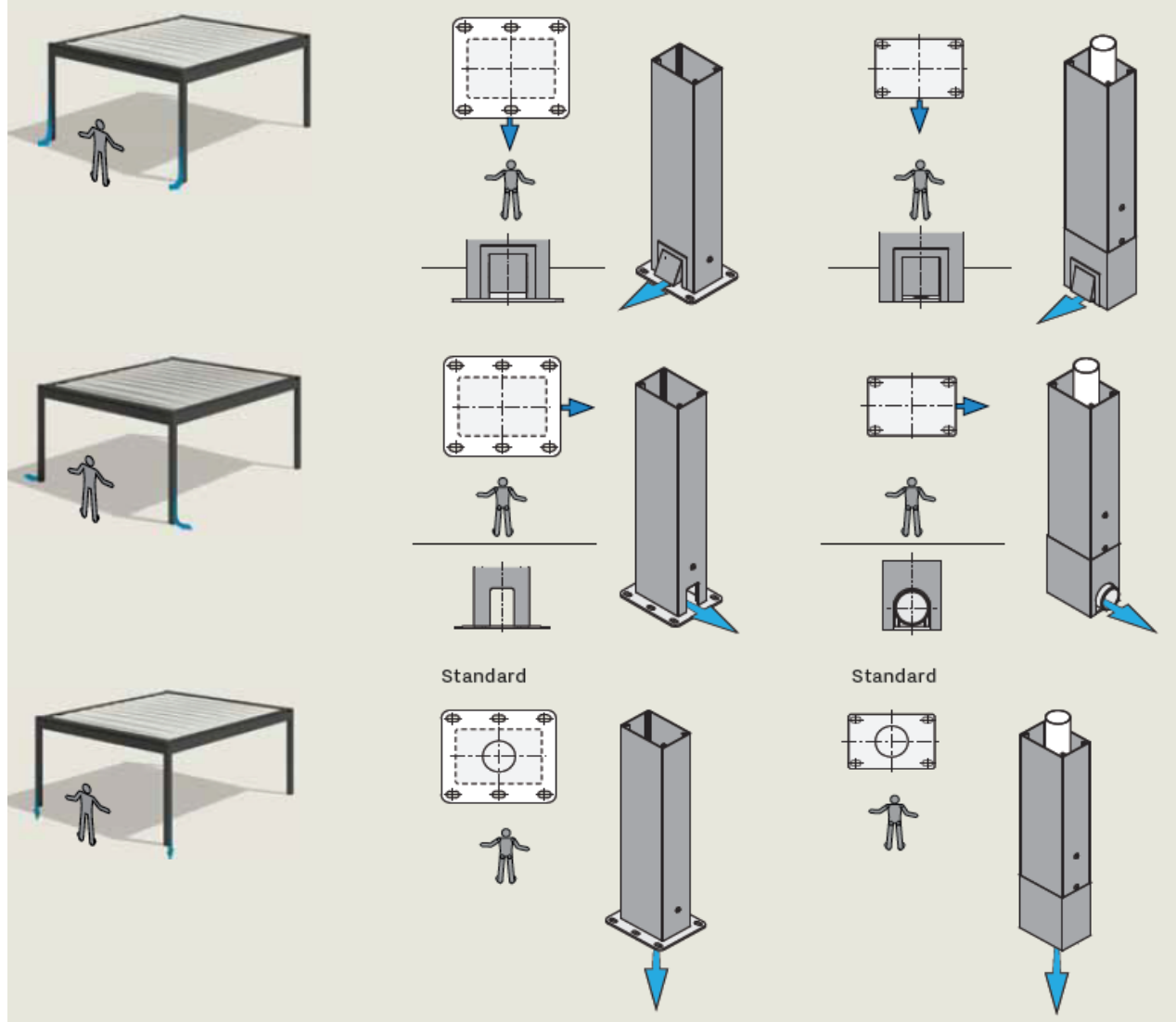
Above 98" extra cost per post.

RIALTO: Max height posts 106" (270 cm)



RIALTO Post drainage options.

Front drainage option



Down drainage option

NOTE: *The RIALTO fabric is arched on the top so a drainage points ideally should be on each side of each module or on each side of the arched fabric (Four is best per module, and two is minimum per one module, and three per two modules). If multiple modules are joined, it is possible to eliminate some interior posts as drainage posts, but it can in severe weather affect the ability to drain well (More is better).*

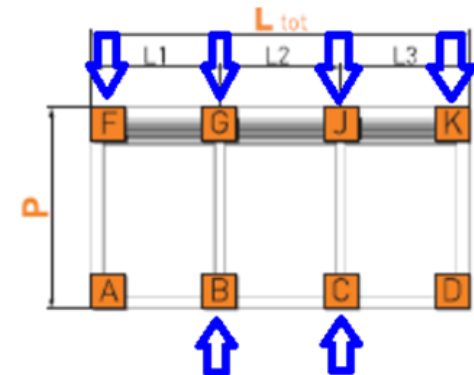
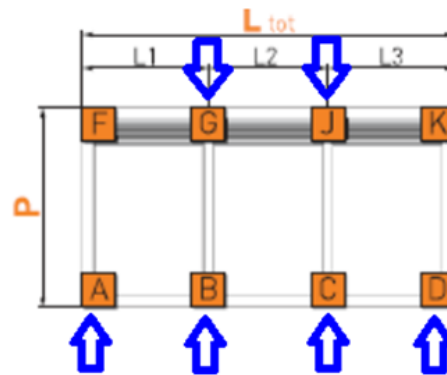
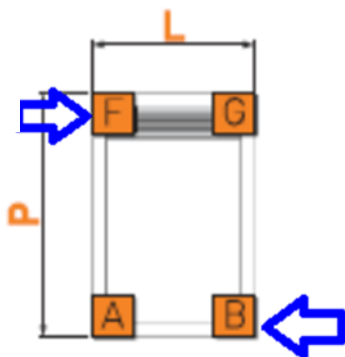
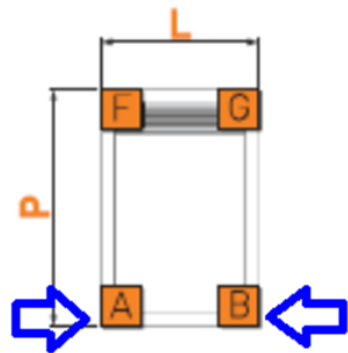
Post Drainage Points RIALTO

It is best to have the unit drain out of every post on the units.

Minimum two (2) posts must be used for drainage per “Module” or section. The drainage points must also be on opposite side of each other where water flows off the curved top. In other words , one drainage point per side that the water flows off the top fabric. Below are some examples of configurations with minimum drainage.

Example #1: If you have one unit you can have two drainage points at the front or back. You can also have it staggered as long as one is on each side of the fabric as water drains off the top.

Example #2: If you have three (3) side by side units with 4 posts at front and 4 post at back, you will need six (6) drainage points total. Four on either front or back and then two more as per below.



01L / 02L / 03L		01P / 02P / 03P - 2M		
Module 1	# of Ribs	Module 1	Module 2	# of Ribs
P		P	P	
181,9	2	175,0	175,8	2
224,9	3	218,0	218,8	3
268,0	4	261,1	261,9	4
311,0	5	304,1	304,9	5
354,1	6	347,2	348,0	6
397,1	7	390,2	391,0	7
440,2	8	433,3	434,1	8
483,2	9	476,3	477,1	9
526,3	10	519,4	520,2	10
569,3	11	562,4	563,2	11
612,4	12	605,5	606,3	12
655,4	13	648,5	649,3	13
698,5	14	691,6	692,4	14
700,0	15	700,0	700,0	15

RIALTO

Rib & dimensional table.

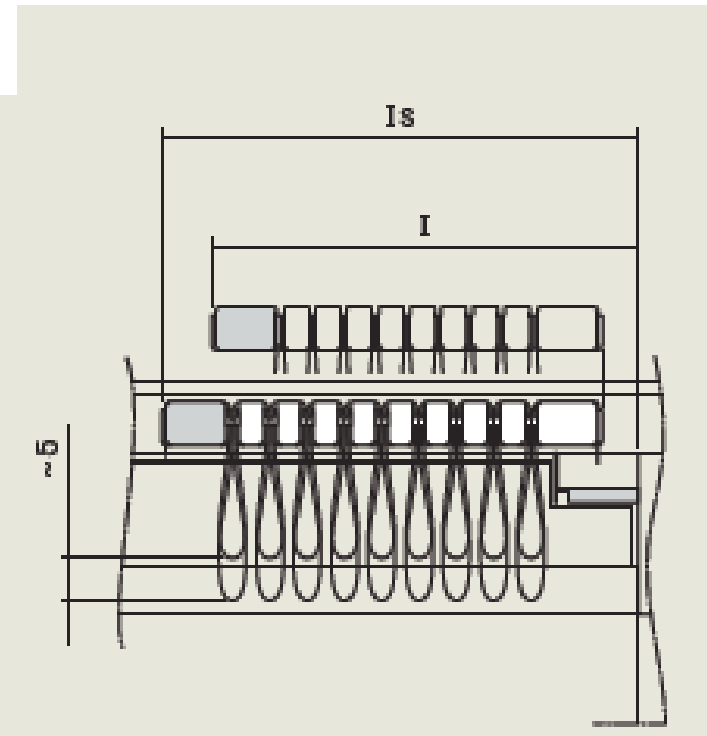
of ribs to left represent # of intermediary ribs. Add one back and one front rib also.

Total # of fabric bays is one (1) less than number of total ribs including

01P / 02P / 03P - 3M				01P / 02P / 03P - 3M			
Module 1	Module 2	Module 3	# of Ribs	Module 1	Module 2/3	Module 4	# of Ribs
P	P	P		P	P	P	
175,0	168,9	175,8	2	175,0	168,9	175,8	2
218,0	211,9	218,8	3	218,0	211,9	218,8	3
261,1	255,0	261,9	4	261,1	255,0	261,9	4
304,1	298,0	304,9	5	304,1	298,0	304,9	5
347,2	341,1	348,0	6	347,2	341,1	348,0	6
390,2	384,1	391,0	7	390,2	384,1	391,0	7
433,3	427,2	434,1	8	433,3	427,2	434,1	8
476,3	470,2	477,1	9	476,3	470,2	477,1	9
519,4	513,3	520,2	10	519,4	513,3	520,2	10
562,4	556,3	563,2	11	562,4	556,3	563,2	11
605,5	599,4	606,3	12	605,5	599,4	606,3	12
648,5	642,4	649,3	13	648,5	642,4	649,3	13
691,6	685,5	692,4	14	691,6	685,5	692,4	14
700,0	700,0	700,0	15	700,0	700,0	700,0	15

RIALTO Dimensions con't.

# of Ribs	Dimension +/- 1 cm	
	Without Undercover	With Undercover
2	38	39,5
3	43	45,0
4	48	50,5
5	53	56,0
6	58	61,5
7	63	67,0
8	68	72,5
9	73	78,0
10	78	83,5
11	83	89,0
12	88	94,5
13	93	100,0
14	98	105,5
15	103	111,0



of ribs above represent # of intermediary ribs. Add one back and one front rib also.

Total # of fabric bays is one (1) less than number of total ribs including front and back.

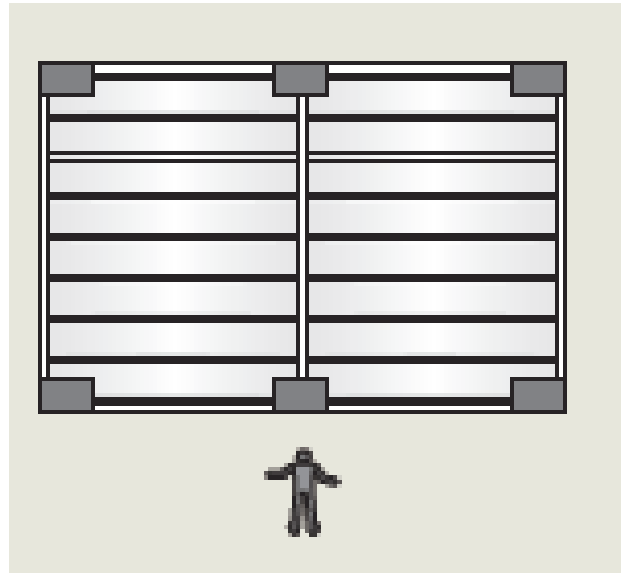
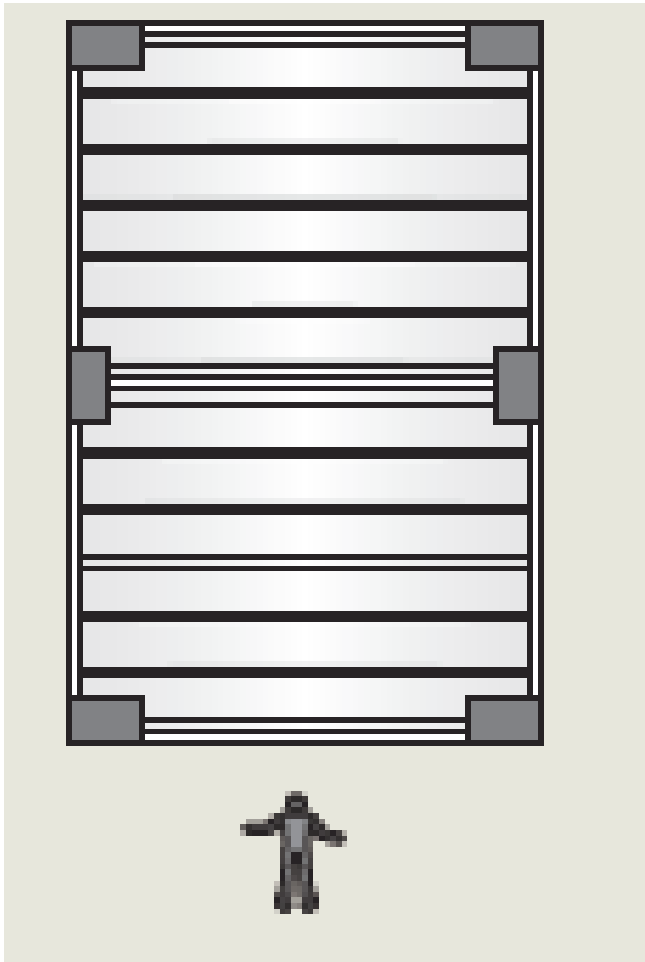
LEGEND:

I = Fabric fold without undercover

Is = Fabric fold with undercover added

Note: Undercover fabric will hang 5 cm lower when folded

RIALTO Post Location and Orientation Diagram.



RIALTO FABRIC DISCLAIMER.



Creases in the retracted cover.

Note:

RIALTO fabric covers when retracted may present some natural creases due to the curvature of the ribs. These phenomena cannot be subject to dispute since they cannot be avoided and they do not influence the proper functioning of the structure (See picture to the Left).



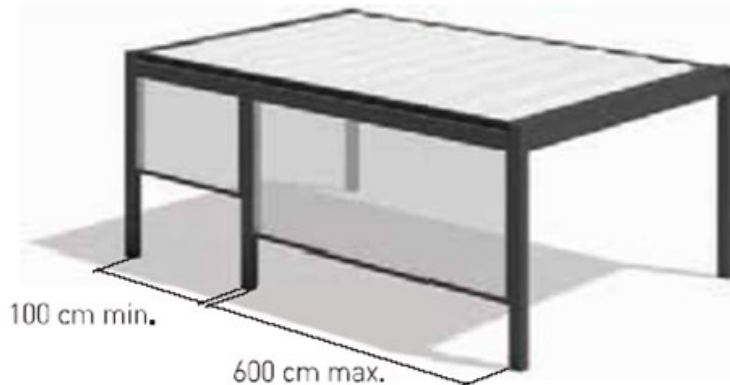
Note:

RIALTO units with LED lighting will have wires heat sealed into the cover for the electrical connection of the LED lights. These wires must be positioned so they are visible under the fabric so they don't interfere with proper water drainage of the cover (See picture to the Left).

NOMO & RIALTO Options:

RASO ROLL DOWN ZIPPER SCREENS For NOMO only

Paired Raso with additional upright



Note:

Maximum available Raso screen width will depend on fabric type. An additional intermediary post can be added to cover the side with multiple screens.

Optional roll down screens can be added to the NOMO model only.

Note: Raso screens are **NOT** available with the “Rialto” model. The screens are available with mesh fabrics and also vinyl with windows (single or double). Please inquire on window size specifications needed.

Available Fabric are:

Tempotest Para Acrylic fabric (Colors from range)

Mosquito Mesh 50% open (Grey & Black)

Soltis 86 mesh (Colors from range)

Soltis 92 mesh (Colors from range)

Ferrari 502/602 with windows (Colors from range)

Max widths available:

Mosquito Mesh: 14' 6" wide x 10' high

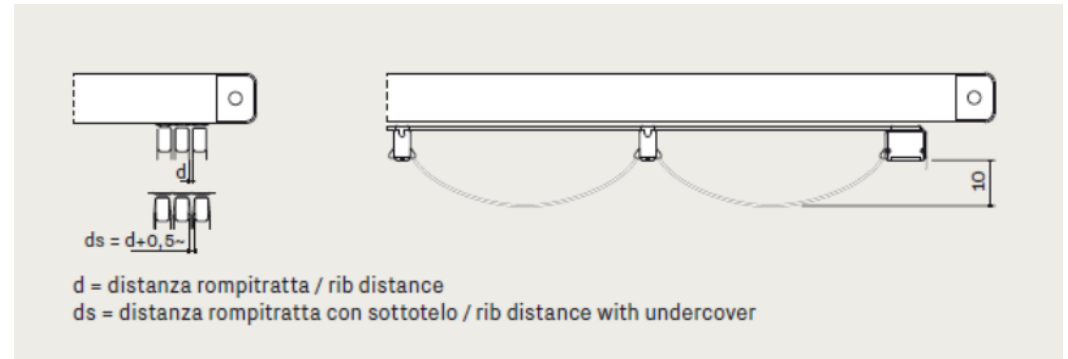
Soltis 86 & 92: 19'6" wide (6 m)

Para & Ferrari 502/602: 19' 6" wide (6m)

Ferrari 502/602 with windows: 13' wide (4 m)

NOTE: If NOMO projection is wider than the maximum allowable screen width above, an intermediary post has to be added at extra cost and two screens must be made in its place. Even if you want to wall mount the NOMO, you still will need post in rear to accommodate the Raso screens.

UNDERCOVERS NOMO & RIALTO



To create a nice atmosphere with the NOMO and RIALTO pergola, it is possible to apply an undercover between the ribs covering up the vinyl fabric (Available three fabric colors below).

Note: NOMO and RIALTO undercovers should be ordered with the Pergola. If ordered later, please inquire.



Color: 6006

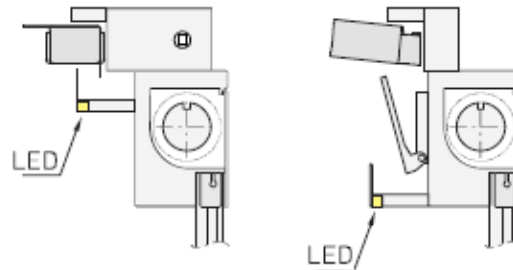


Color: 6007

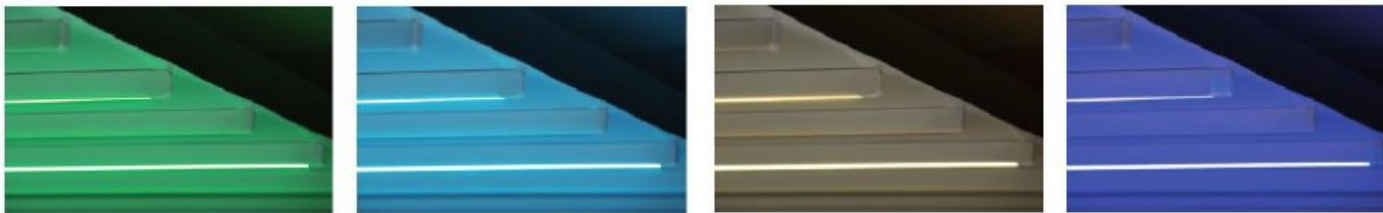


Color: 6008

PERIMETER & RIB LED LIGHTING



LED / WHITE only or RGB in-line lighting

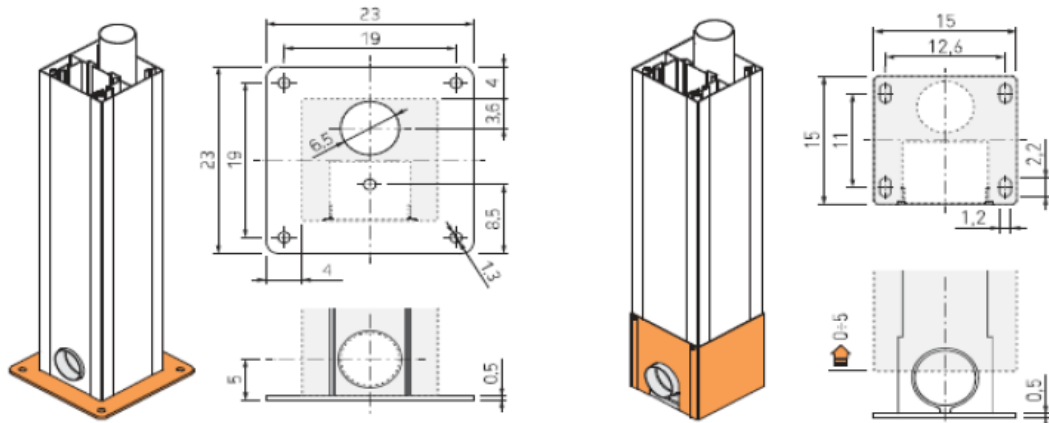


REMOTE CONTROLLED



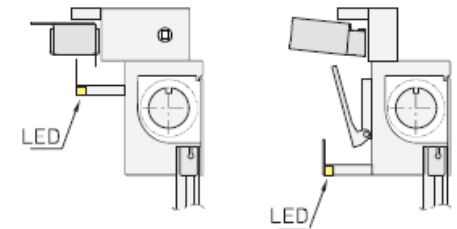
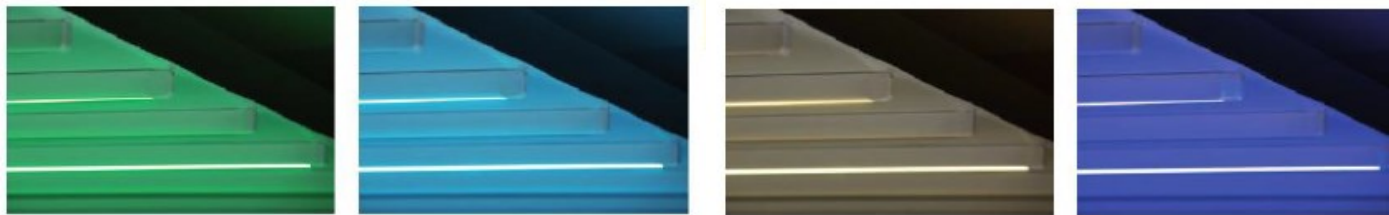
LED / WHITE only
Or, RGB Perimeter lighting

RIALTO: Options



Standard post feet and optional telescoping feet (Nomo illustrated)

LED / WHITE only or RGB in-line lighting



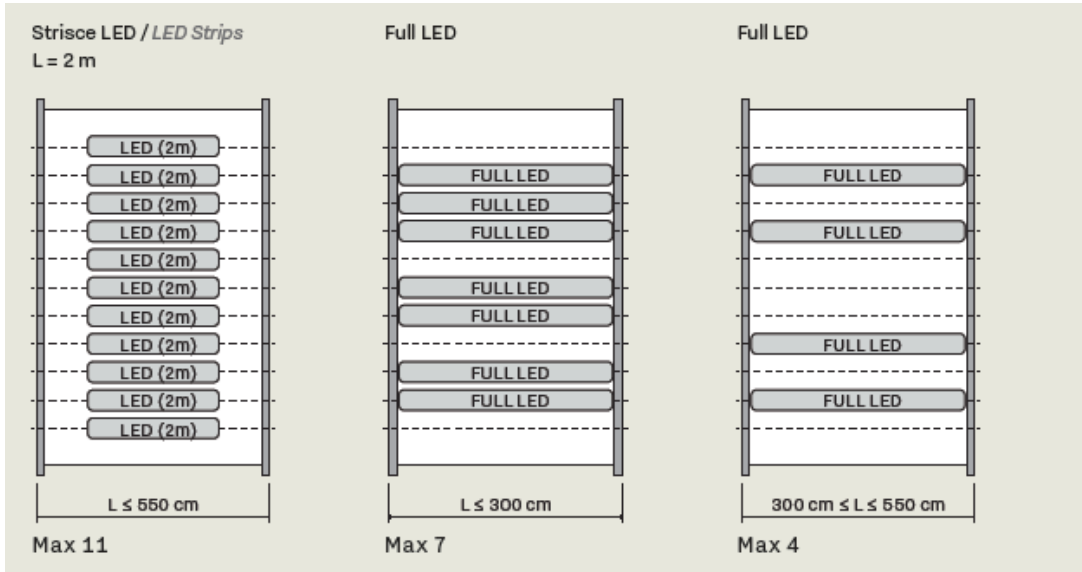
LED / WHITE only or RGB Perimeter



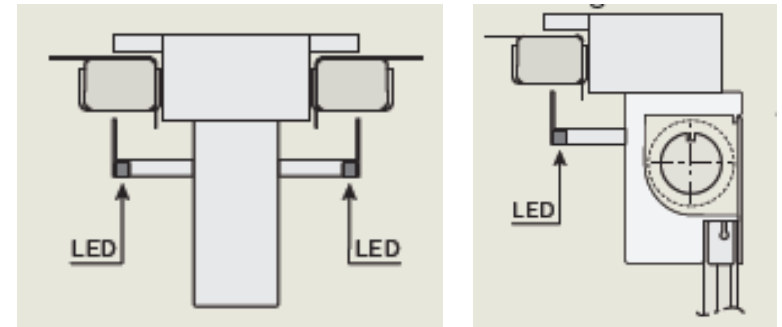
REMOTE CONTROLLED

LED In-Line configurations (NOMO & RIALTO)

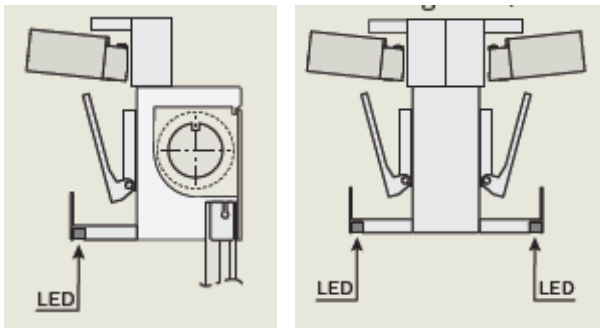
LED Line position: Please refer to the number of ribs for the pergola module you desire. Maximum two (2) Led kits can be configured with each "module". A two module unit can have two LED kits. LED kits must be ordered at time of Pergola manufacturing.



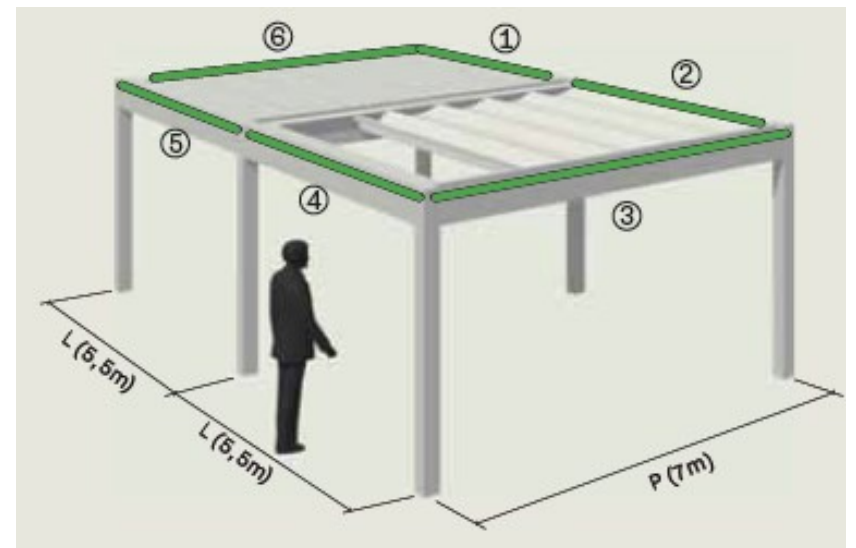
- Power Supply: 24 volts
- Light Output 420 Lumen/m
- Electrical use 14,4 W/m
- Maximum LED is 22 meter / kit



LED Perimeter configurations (NOMO & RIALTO)



Perimeter Upright



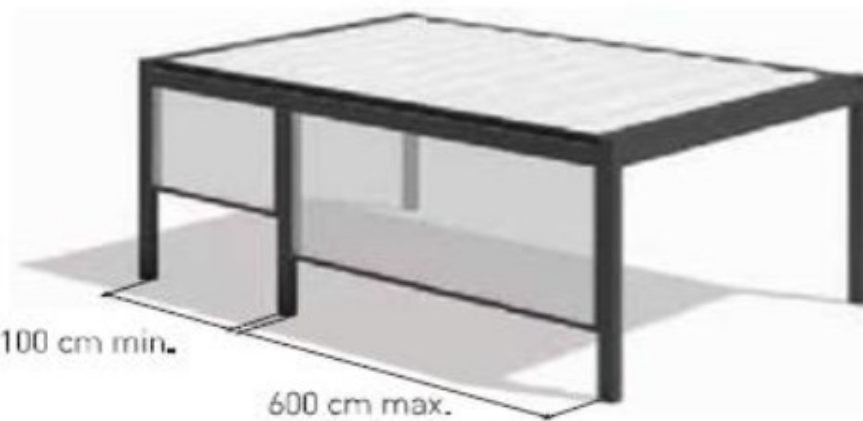
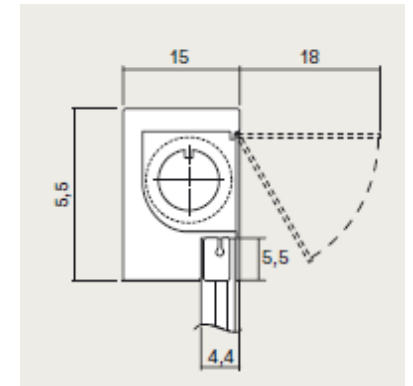
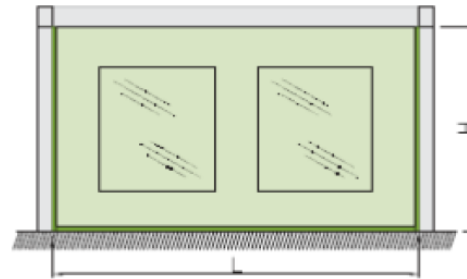
NOMO & RIALTO: More Options



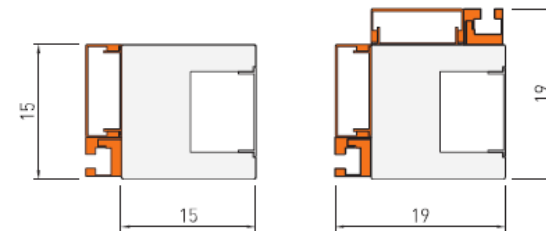
RASO Side zipper screens (Nomo model only)

Undercovers

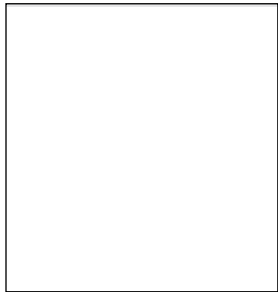
Mesh fabric or with windows



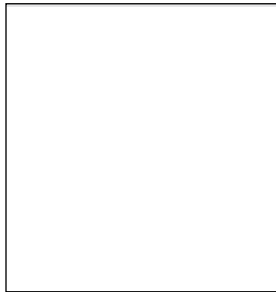
Post profile + Raso guide + compensator



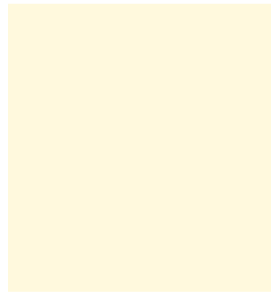
STANDARD FRAME COLORS FOR ABOVE PERGOLA MODELS:



WHITE Gloss
Ral 9010



WHITE SAND
Coarse Ral 9016



IVORY SAND
Ral 1013 Coarse



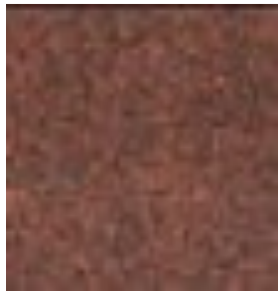
IVORY / SEMI
Gloss Ral 1013



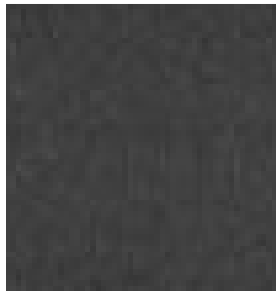
GREY SAND
Gloss Ral 9006



BRIGHT ALUM
Matt Ral 9006



CORTEN
Coarse



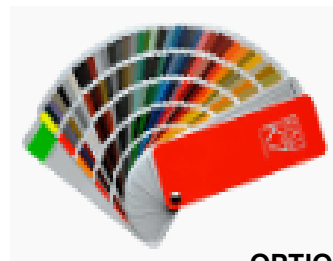
IRON GREY
Coarse

STANDARD COLORS
THESE MODELS ONLY



NOTE:

ACTUAL FRAME COLOR MAY VARY
FROM DIGITALIMAGES



OPTIONAL

FULL RAL COLOR RANGE /
EXTRA COST

www.ralcolor.com

Rialto

OPTIONAL 30 TIGER DRYLAC FRAME COLORS FOR ABOVE
PERGOLA MODELS:

Extra cost and possible
extra lead time.

Please conform with
Sunair office.



30 TIGER COATING COLOURS CLASS 2



NOTE:

ACTUAL FRAME COLOR
MAY VARY FROM DIGI-
TALIMAGES

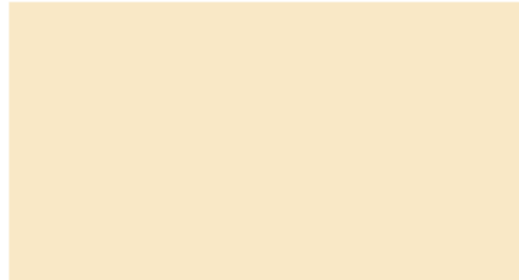
PERGOLA STANDARD FABRIC COLORS

602 FLEX LIGHT CLASSIC / OPAQUE COLORS



602-8503-98"

White 602

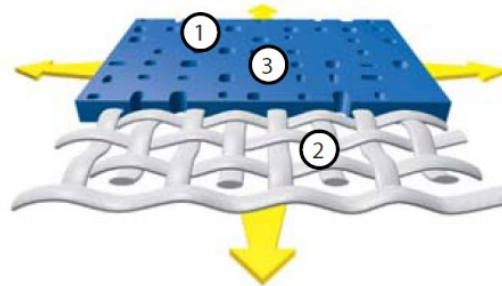


602-50020-98"

Cream 602

The Preconstraint 602 fabric from Ferrari offers excellent dimensional stability with minimal stretching and exceptional dirt resistance thanks to a PVDF topcoat on both sides. The fabric is therefore perfect for use on retractable Pergola® roof awnings. The fabric is 22.1 oz/sq yard with a Glossy finish. The two standard opaque colors above are the most commonly used and is standard on all Pergola® awnings. The two above colors are opaque and do not allow light to go through the fabric. Fabrics are Fire Retardant and certificate is available.

5 year warranty from Ferrari on a retractable system



OPTIONAL PERGOLA & SCREEN FABRIC COLORS

502 PROOF SOLTIS / OPAQUE SATIN FINISH COLORS

The Preconstraint 502 fabric from Ferrari also offers excellent dimensional stability with minimal stretching and exceptional dirt resistance thanks to a PVDF topcoat on both sides. The fabric is therefore perfect for use on retractable Pergola® roof awnings. The fabric is 16.8 oz/sq. yard with a satin finish. Fabrics are fire retardant and certificate is available.



satin finish

5 year warranty from Ferrari on a retractable system

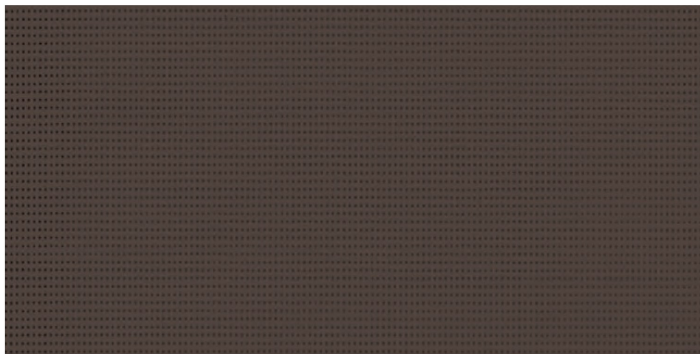
Serge Ferrari

Soltis
Horizon 86

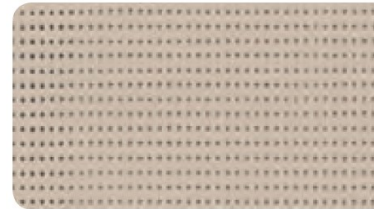
Serge Ferrari
14 % Open Screen Mesh



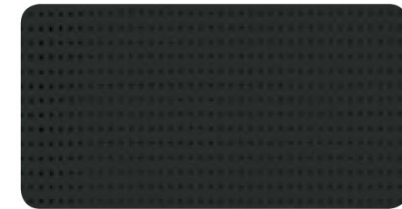
Raso Screen



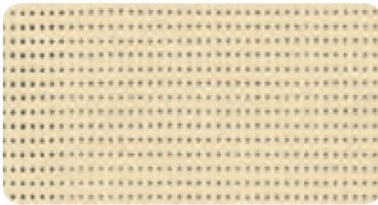
86-2043
Bronze



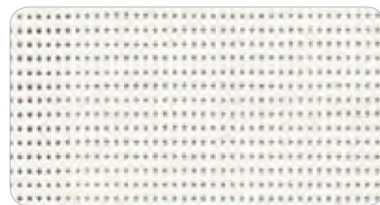
86 – 2135
Sandy Beige



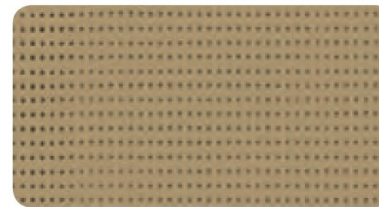
86 – 2053
Black



86 – 2175
Champagne



86 – 2044
White



86 – 2012
Pepper



86 – 2171
Boulder

■ Technical properties

Openess factor	14%
Weight	380 g/m ² — 11.2 oz/sqyd
Thickness	0.45 mm — 450 microns
Width	177 cm - 267 cm — 69.7 in. - 105.1 in.

Superior elongation and tear resistance

No deformation during processing and use

Superior aesthetic and mechanical durability

Smooth finish easy to clean, space saving, easy rolling

MOTORIZATION & AUTOMATION

ALTUS®



Note:

Opera and Vision Louvered systems uses a different Linak motor and remote.



The Sunair PERGOLA® program features SOMFY RTS motor with an integrated radio receiver that allows you to operate the awning or screen by remote control with a wall mounted or hand held remote and by a smart phone device.

With a simple click of a button on your remote, the awning or shade will extend, retract , lower or raise automatically.

The Somfy TaHoma® gateway and smart phone app provides convenient and customized control of Somfy powered motorized shades, blinds

The BOND HOME: Bond Bridge and Bond Bridge Pro works as a bridge between Wi-Fi and your remotes recorded signal allowing you to operate your Sunair shades, awnings, pergolas, ceiling fans, fireplaces and more with the Bond app. Works with Somfy and other motor manufactur-



SOMFY REMOTES:



Telis 1 & 4 RTS
Hand-held Remotes



Situo 1 & 4 hand
held remotes

One (1) through (16) channel hand held or wall mounted remotes are available. Remotes are available in different colors to suit your style, please inquire.



Telis hand-held remotes offer convenient and simple operation of every type of motorized application. Channels help organize the motorized products that are operated. Single channel remotes can operate one individual product or one group of motorized products. Multiple channel remotes can handle groups of motorized products.



Telis 1 Chronis
RTS Timer



DecoFlex WireFree™ RTS
Wall Switches



Telis 1 Patio for
exterior use



Smooove® 1 RTS
Surface Mount Wall Switch



Telis 16 RTS
Hand-held Remote

OUR FABRIC ROOF PERGOLA® MOTORS



Sunair uses Somfy motors and controls for their Pergola awnings

Altus 530 Nomo, Rialto, Phoenix Air, and Free

Altus 550 Series: Type 1 & 2 standard Pergolas

Altus 550 Series: Brera P, S, and B Pergolas

Altus 660 Series: Type 3 Traditional Pergolas

Note: Motor type used will depend on the model, size and projection of the unit.

	530	550	660
Torque	30 Nm	50 Nm	60 Nm (530 in. lbs.)
Nominal Voltage			120V / 60Hz
Rated Current	1.5A	2.1A	2.5A
Speed	14 rpm	14 rpm	14 rpm

All Somfy Motors are UL and CSA Recognized

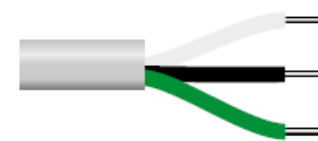
- All SOMFY motors are UL Recognized and can be found under the following file numbers:

E60495, E60888, E63714



Type of power cable

RTS
120V AC / 60Hz
3 conductor cable



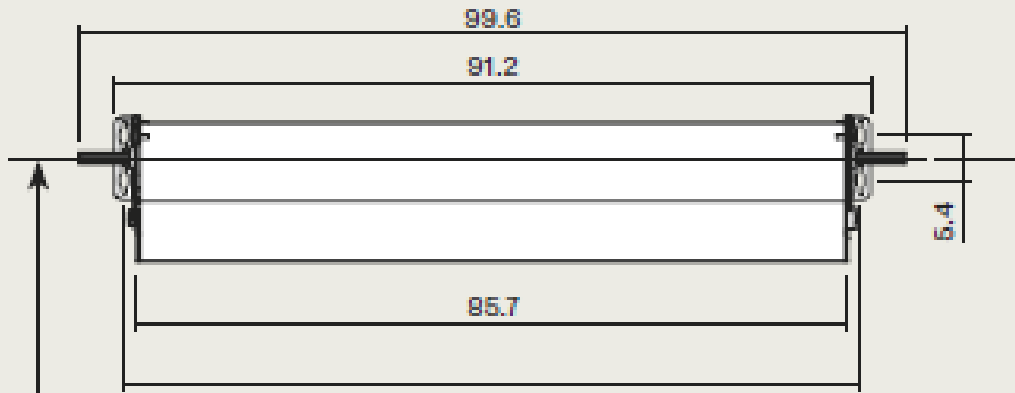
white = neutral
black = hot
green = ground



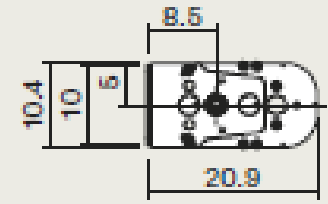
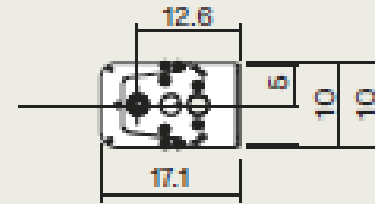
Radio Technology Somfy

Radio Technology Somfy® (RTS) allows wireless radio control of motorized applications via the RTS family of controls.

MOTOR SAFETY BOX DIMENSIONS



/ Transmission shaft



Somfy motor sensors:



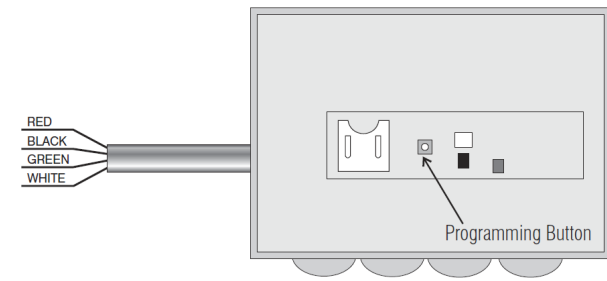
SOLIRIS RTS 24V KIT
Sun & Wind Sensor

The Soliris RTS Sun and Wind Sensor automatically controls your RTS motorized products based on current weather conditions.



ONDEIS® WIREFREE
Sun & Rain Sensor

The Rain Sensor is a solar-powered combined rain and sun sensor compatible with Radio Technology Somfy® motorized exterior products, including awnings and screens.



DRY CONTACT INPUT RTS TRANSMITTER

Dry Contact to RTS interface can be used to communicate between home automation or other third party systems like fire alarms to retract screens in an emergency. Can be interfaced with a physical switch (Battery powered). Battery designed to last at least 2 years.

Somfy TaHoma® RTS Smartphone and Tablet Interface

The Somfy TaHoma® gateway and smart phone app provides convenient and customized control of Somfy powered motorized shades, blinds, and other motorized solutions. Control up to 40 RTS (Radio Technology Somfy) channels using the TaHoma app. Multiple TaHoma devices can be joined for multi-zone control.



- North America app, you can remotely activate both Zigbee and RTS products Supports UP/DOWN/MY/STOP commands for motorized shades/blinds .
- Supports incremental control for Tilt motors and lighting ☑ Supports ON/OFF commands for control of lighting or other devices powered via the Zigbee Smart Plug Multiple users .
- Remote access Control4® Certified ☑ Integration with third-party systems over IP ☑ Compatible with Somfy Synergy™ API



TaHoma® RTS



Bond Home / Smartphone and Tablet Interface

Bond Bridge and Bond Bridge Pro works as a bridge between Wi-Fi and your remotes recorded signal allowing you to operate your Sunair shades, awnings, pergolas, ceiling fans, fireplaces and more with the Bond app. Works with Somfy and other motor manufacturers.



Bond Bridge

- Works with Alexa, Google Home, and SmartThings,
- Remote Control via Bond Home app
- Works with iPhone or Android
- No installation needed
- Smart home functionality without breaking the

Bond Bridge Pro: **Added features...**

- Ethernet port & PoE technology
- Smart home integrations
- Ceiling and wall mount

Remote control from anywhere

Be able to control everything
even from outside your home.



OPTIONAL:

- Sidekick for Shades: 5-channel Shade and awning

BOND REMOTE SWITCH:

Sidekick for Shades/Awnings: 5-channel Shade Keypad



- Wireless flush mount shade remote.
- Communicates directly with the shade.
- 10-year battery life.
- Set up shade limits – no manufacturer remote required.
- This version of Sidekick does not support Scene Keypad functionality.
- 10-year battery life.
- Install with or without a workbox (flush mount).
- 5-channel control.
- Set up shade limits – no manufacturer remote required.



Teleco Daisy / Smartphone and Tablet Interface



The Teleco Daisy is the control system for the Teleco LED lighting on the Bioclimatic Pergolas. This Wi-Fi interface App, is programmable to remotely control all Teleco devices using a Smartphone or Tablet.

Innovative and easy to use: It is possible to program and control all installed automations, individually or in groups, to adjust the intensity/ powering on / powering off in automatic or manual mode of the lighting, to create multiple scenarios and to call them up at any time.

- Daisy lets you interact with all automated systems from anywhere in your home, even from a distance, with Smartphone or Tablet
- It's so simple to create scenes and program the weekly timer
- Remote control via Wi-Fi through the creation of a free account in the Teleco Cloud
- Possibility of connecting multiple smartphones or tablets
- Real-time feedback: verification of the status of Teleco BlueSeries devices from smartphone or tablet
- Voice control of Teleco systems using the Google Home or Amazon assistant
- Possibility of expanding the range using Wi-Fi repeaters
- Compatible with any Android (version 4.4 and later) and iOS (version 10 and later) device. We recommend installing the latest version of the operating system
- 230 V power supply unit included



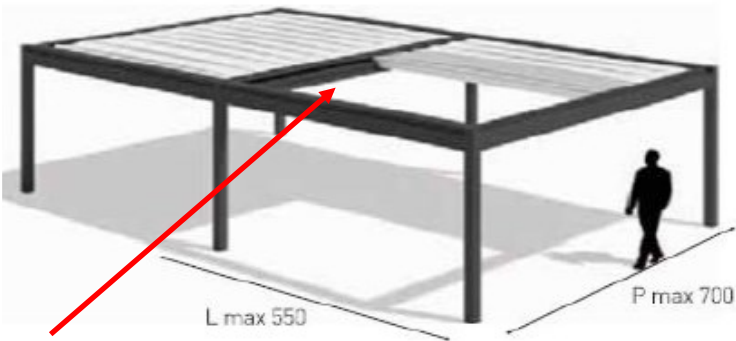
FAN: Adding a fan to following models:

NOMO, RIALTO, BRERA, VISION, and OPERA

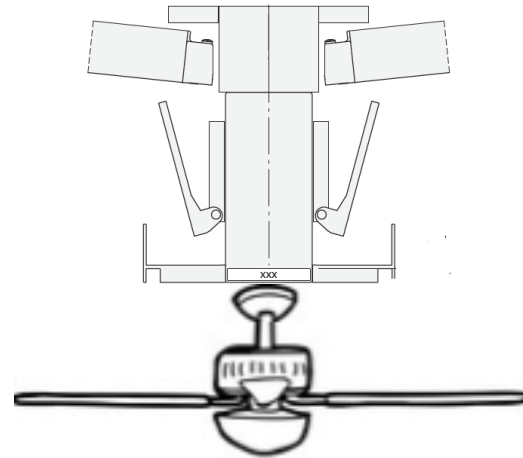
Fan not included and by customer



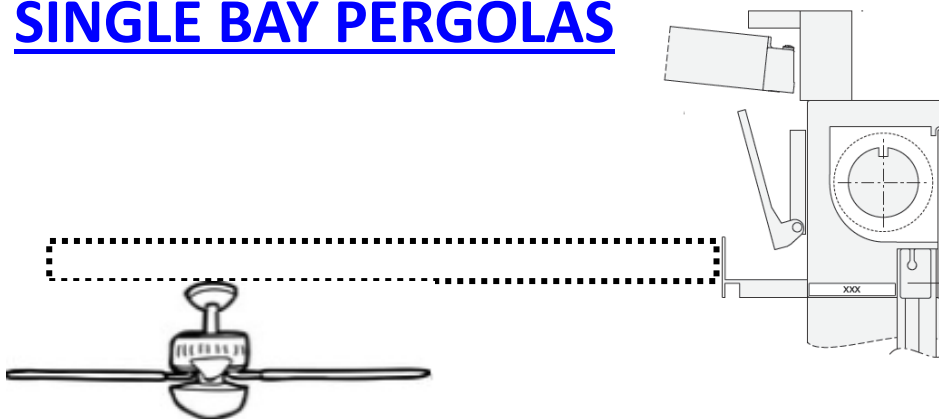
MULTI MODULE PERGOLAS



Fan Can be mounted Here in between each module



SINGLE BAY PERGOLAS



Mount a “Fan Bar” on the width side between gutters

Note: Max unit width 18 ft per module. Fan bar must run along the width of each module and separately wired.

Solaira[®]

COSY
SERIES



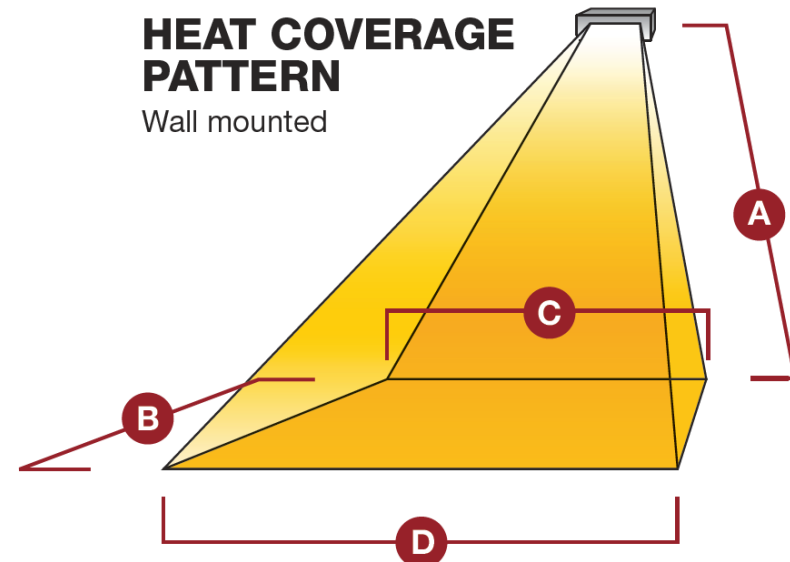
HEATERS COSY SERIES 1500 AW Sleek, Low clearance, infrared

Sunair[®] awnings do not specify any particular brand of heaters but we do offer the Solaira brand as a convenience and as “supply” only. As supply only all warranty is per the Manufacturer (Solaira). Please see separate manufacturers installation, use, servicing and warranty documents. Mounting and wiring the heaters on the Pergola units is not included and will be the responsibility of the dealer / customer in the field during installation. Check your local codes for correct wiring instructions. All heaters should be installed by a certified electrician to local state electrical codes. See separate manufacturer’s data sheet and wiring instructions. If you purchase your own heaters, make sure that the heater brand and model you chose can be installed within the pergola unit to code. Aluminum Brackets to install the heaters on the awning are sold separately. Note: Sunair[®] awnings can only make suggestions but will not be responsible or warranty the performance and the effectiveness of the heaters. Check with the manufacturer of the heaters for the recommended number of heaters for your application and best installation position of the heater for best results.

Con’t next page

Solaria Heaters con't

Note: Specifier / Customer must contact Solaira directly for recommended heater number and location.



HEAT COVERAGE EXAMPLES

Model	A	B	C	D	Heat Zone*	Heat Density*
SCOSYAW15120 B/W	6'7"	8'	8'	10'	70 SQ FT	18 WATTS/SQ. FT
SCOSYAW15240 B/W	6'7"	8'	8'	10'	70 SQ FT	18 WATTS/SQ. FT

* Heat Zone and actual heat density will vary based on mounting height and angle of heater (Overhead mounted heat zones will be different then this guide). Please use this as a guideline only and contact Solaira for a more detailed specifier guide.

* Heat Zone and actual heat density will vary based on mounting height and angle of heater (Overhead mounted zones will be different than this guide). Please use this as a guideline only and contact Solaira for a more detailed specifier guide.

Con't next page

Solaria COZY Series Heaters con't

240 VOLT: 1.5Kw 208 - 240 V

Heater Model Black # SCOSYAW15240B Ral:9005

Heater Model White # SCOSYAW15240W Ral:9010

Controller #SPASCR90

One controller will operate up to 12 heaters

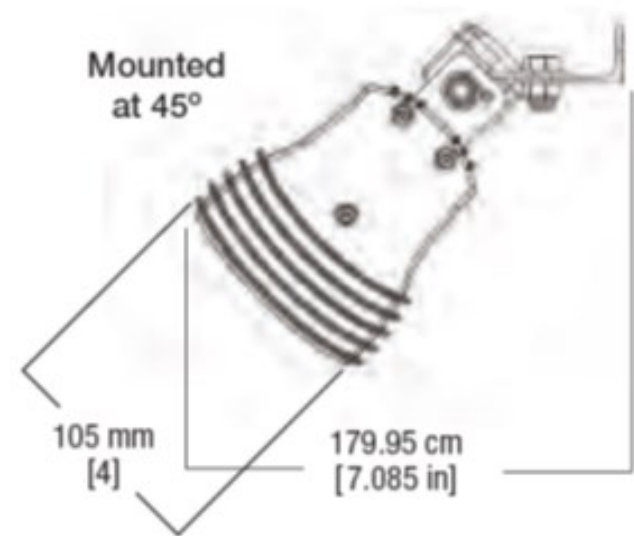
110 VOLT: 1.5Kw 120V

Heater Model Black # SCOSYAW15120B Ral: 9005

Heater Model White # SCOSYAW15120W Ral:9010

Controller #SPASCR90

One controller will operate up to 7 heaters



NOTE:

Maximum 7 ea. 110 volt heaters can be used per controller.

Maximum 12 ea. 240 volt heaters can be used per controller.



aura™

INFRARED PATIO HEATER

ADVANCED LOW-LIGHT,
LOW-GLARE CARBON FIBER
EMITTER TECHNOLOGY



IP65 rated
water resistant

AVAILABLE IN TWO MODELS

CF3000 3000W, 240V

CF1500 1500W, 120V

- Adjustable wall and ceiling mounting brackets included*
- Durable extruded aluminum construction
- Virtually maintenance-free
- Instant heat, warm ambient glow
- Safe and odorless



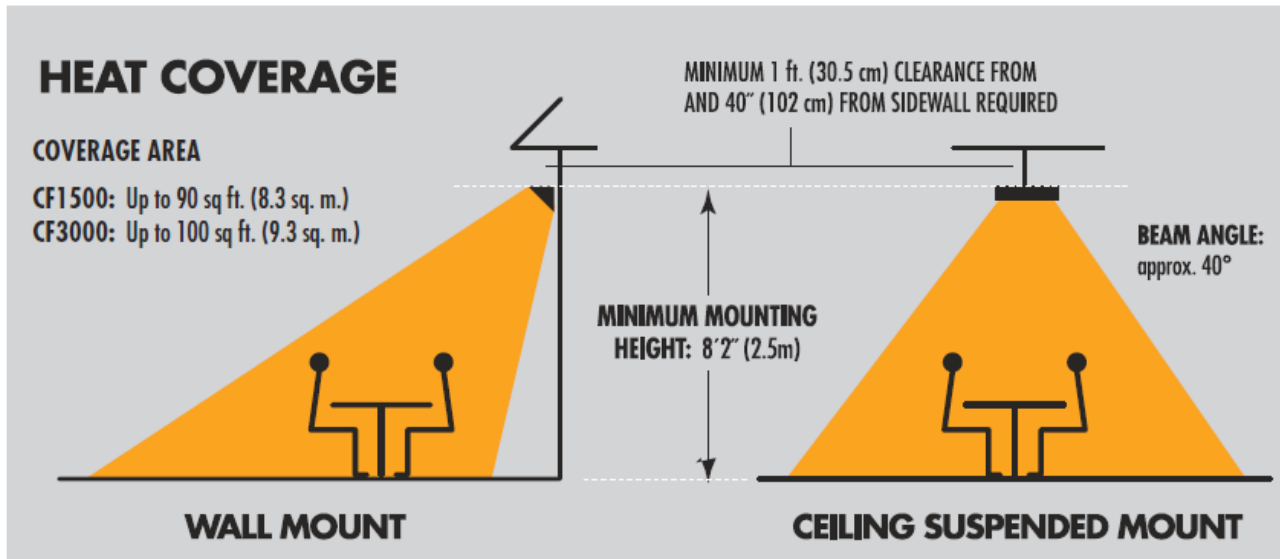
Includes convenient
remote control



Wall and ceiling
brackets included*

AURA CF3000 Carbon 3000W BLACK 208 - 240 VOLT: **Model # CF302408**

AURA CF1500 Carbon 1500W BLACK 120 VOLT: **Model # CF151208**



Note:

Specifier / Customer must contact Solaira directly for recommended heater number and location.

CARBON FIBER EMITTER

Aura Carbon Fiber emitter lamps are manufactured with extremely strong and lightweight woven carbon fibers. When energized, the carbon fiber produces a soft, ultra-fast warming medium/short wave infrared, radiant heat.

The image shows a cylindrical carbon fiber emitter lamp with a woven texture. It is shown against a background of orange and black. The lamp is shown in a perspective view, highlighting its cylindrical shape and the woven texture of the carbon fibers.

*Heat Zone and actual heat density will vary based on mounting height and angle of heater (Overhead mounted zones will be different than this guide). Please use this as a guideline only and contact Solaira for a more detailed specifier guide.

REMOTE CONTROL



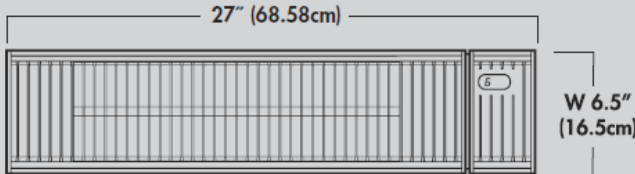
RANGE: UP TO 19.5 ft. (6 m)
INCLUDES ON/OFF BUTTONS WITH 6 HEAT SETTINGS:
33% - 50% - 66%
80% - 88% - 100%



REQUIRES 2x AAA,
 1, 5V NOT INCLUDED

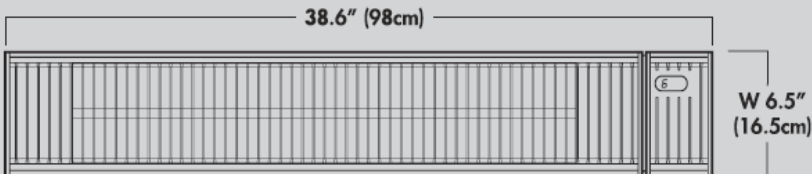
CF1500

WEIGHT: 10lbs (4.5kgs)



CF3000

WEIGHT: 14.3 lbs. (6.5 kg)



RoHS
 COMPLIANT

IP65
 DUST, RAIN, WATER-JET PROOF
 ÉTANÇHE À LA POUSSIERE, À LA PLUIE ET AUX JETS D'EAU
 POLVO, LLUVIA, PRUEBA DE AGUA-JET

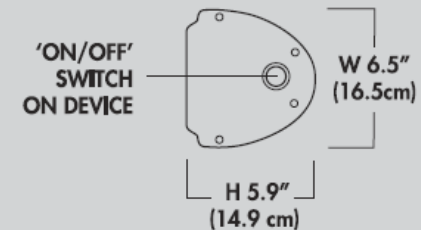
* affixing hardware (screws/bolts/wall anchors not included and to be supplied by installer to suit application)

The AURA heaters is a more economical heater that simply plugs in to an outlet (110 volt version). This heater does not require a control box. The remote control is included in the price. Simply aim the remote towards the heater and you can custom set the heat from 1 - 6 on heat scale.

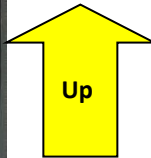
SPECIFICATIONS

EXTRUDED ALUMINUM CONSTRUCTION

INCLUDES: CEILING AND WALL MOUNT BRACKETS*, REMOTE CONTROL, 12 ft. (4.87 m) OF cETLus APPROVED, OUTDOOR RATED CABLE

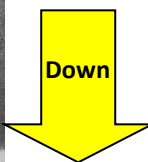


UP & DOWN Glass Walls Options



The Up & Down model is made up of two sections, one stationary and one mobile. A simple key is used to lock and release the module. To raise, release window with the key and the spring load- ed module will slowly rise on its own.

Standard and custom widths available.



The Up and Down model of our glass window dividers can be customized to match your color scheme or even display your logo! The base aluminum colors are White and Iron Grey colors. Virtually any color and design graphic motifs can be added to the glass to showcase your restaurant's unique style. Other models are also available.



Installations



SET FLOORING :

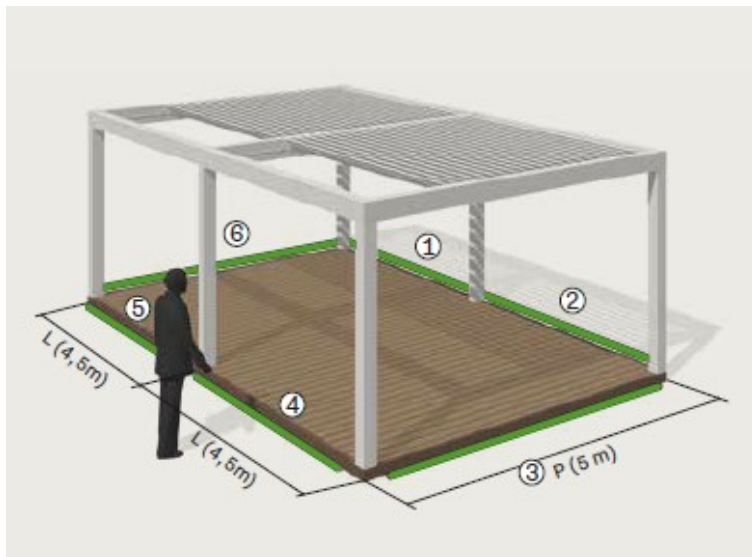


PRODUCT FEATURES:

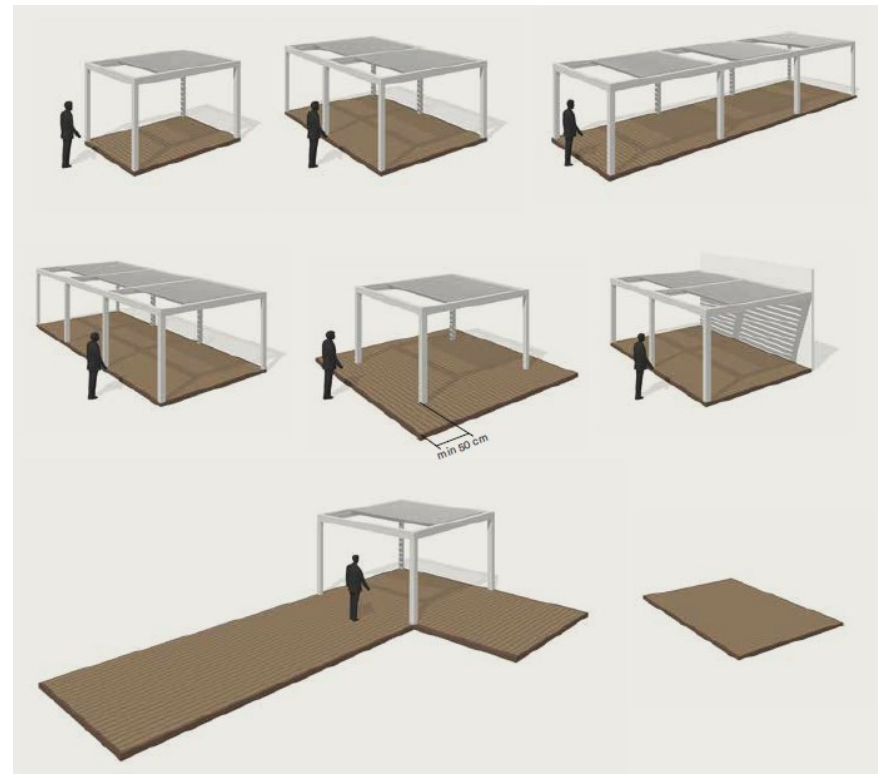
- Platform decking designed to be integrated with Bioclimatic Pergolas like Opera, Vision, Brera, Nomo, and Rialto.
- Sits on an existing supported concrete floor.
- Made to fit Pergola awning system.
- Assembled in place.
- Can be fitted with different flooring types.



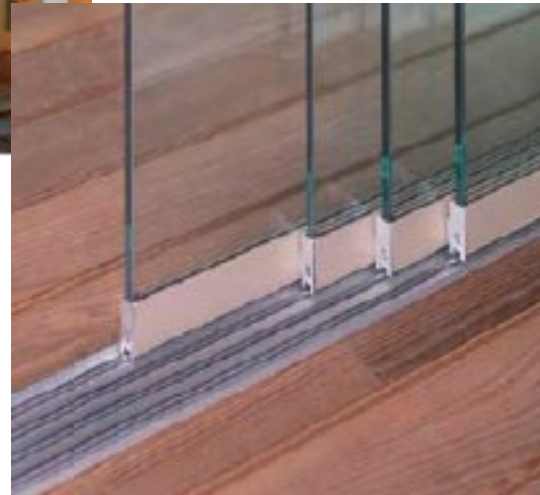
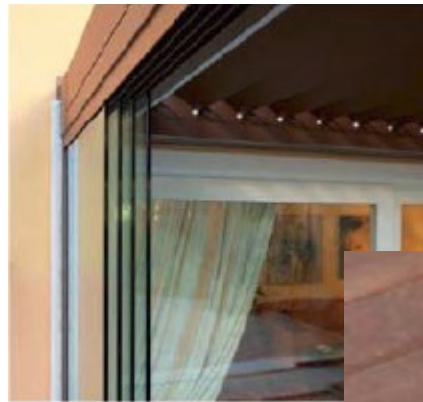
SET FLOORING cont'



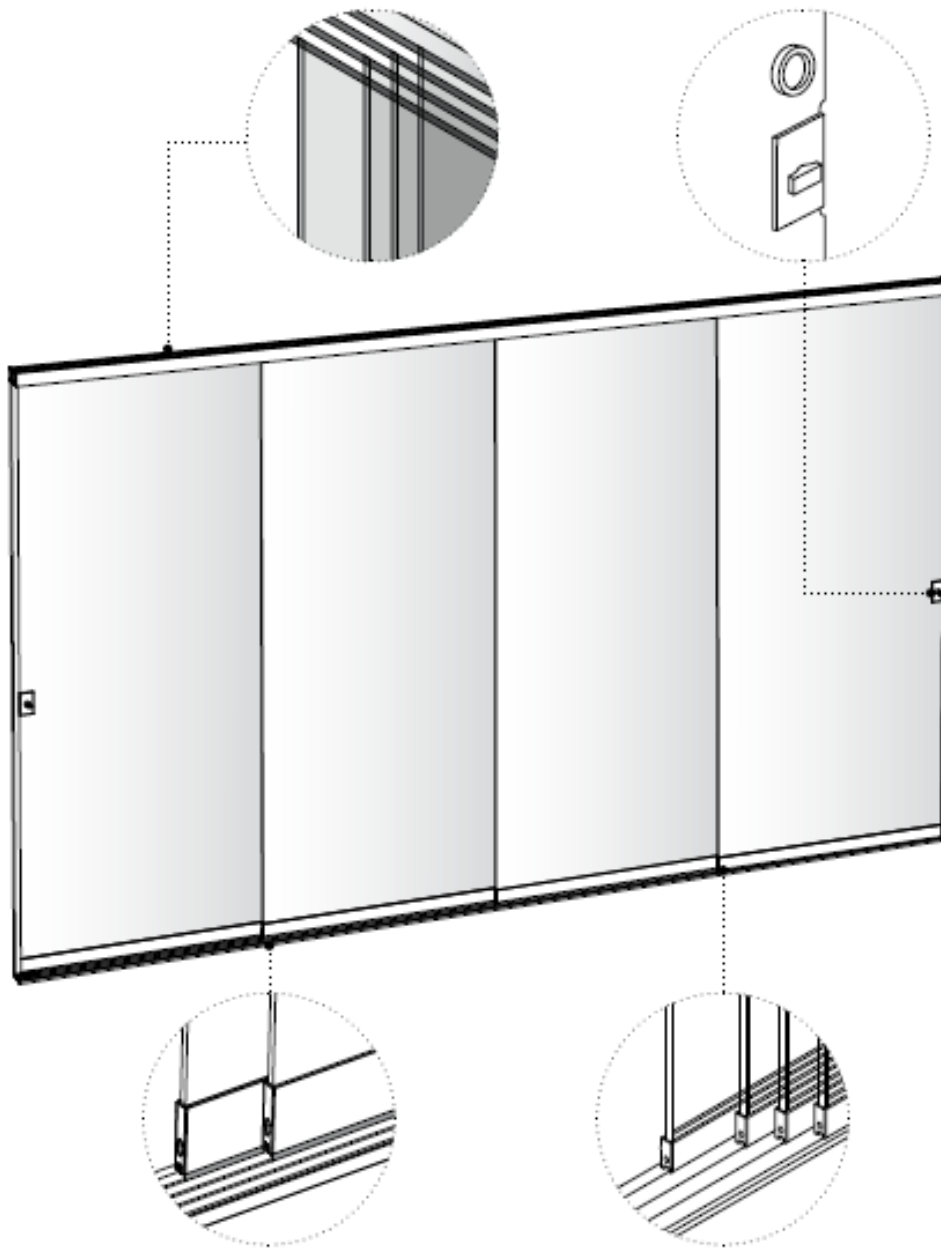
OPTIONAL: LED Lighting added



SLIDE GLASS Options for Pergolas:



PRODUCT FEATURES:

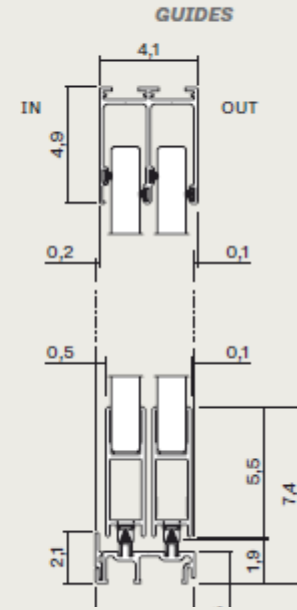
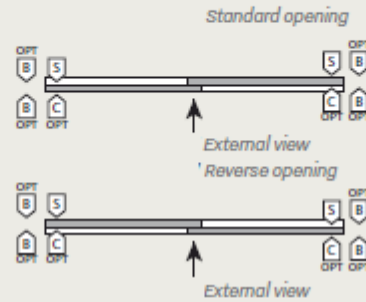
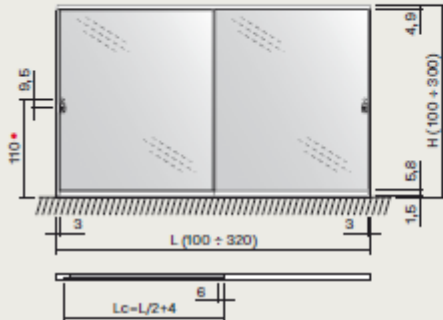


- Glass Panels with aluminum frame.
- Ideal for Bioclimatic Pergola (Rialto, Vision, and Brera S).
- Can be installed along with Raso screens on Nomo, Opera, and Brera P Pergolas also.
- Extruded aluminum Profiles.
- Stainless steel handles.
- Stainless steel trolleys with ball bearings.
- Tempered Glass 10 mm thick weighs 25 Kg. / sq./meter.
- Tempered Glass 12 mm thick weighs 30 Kg. / sq./meter.
- Two, Three, or Four way sections.
- Max Length 700cm depending on number of glass sections.
- 10mm glass available up to 250 cm High doors.
- 12mm glass available from 260 cm to 300 cm high doors.
- Lead time is longer if slide glass is added.

More Installations

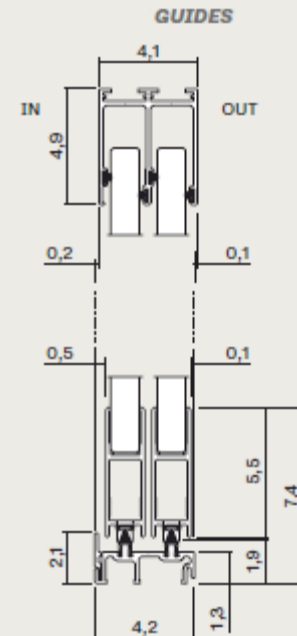
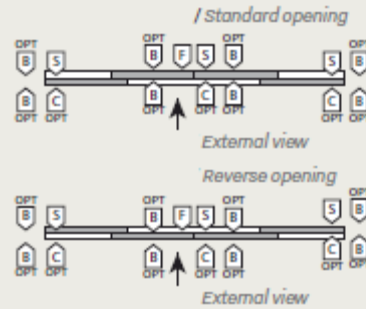
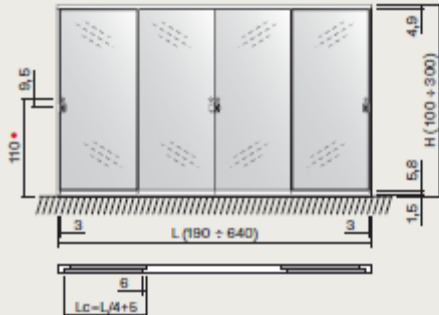


2 ways - 2 doors

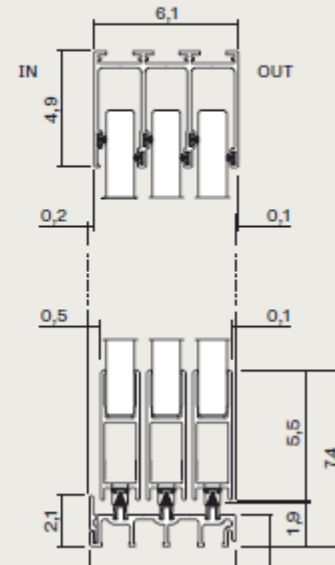
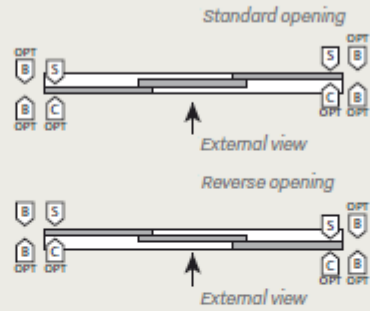
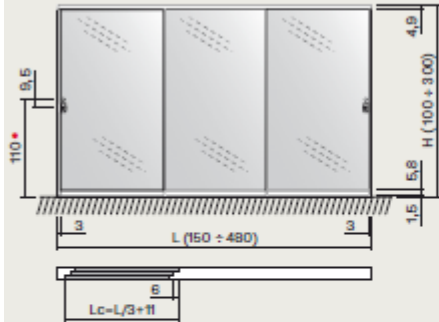


H standard of the closing "S" handle (min. H 25 cm)

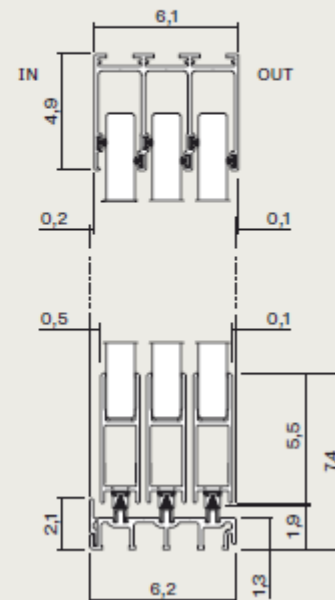
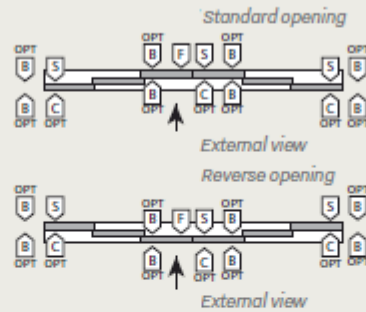
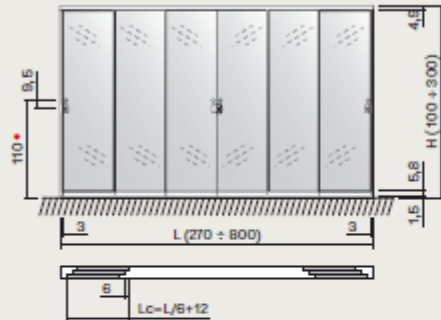
2 ways - 4 doors



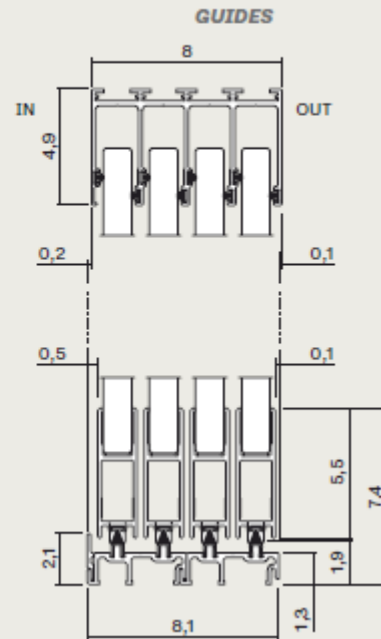
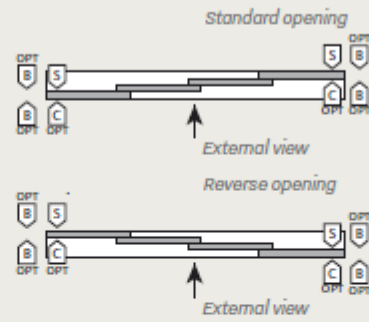
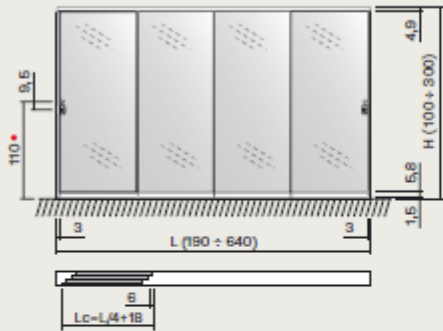
3 ways - 3 doors



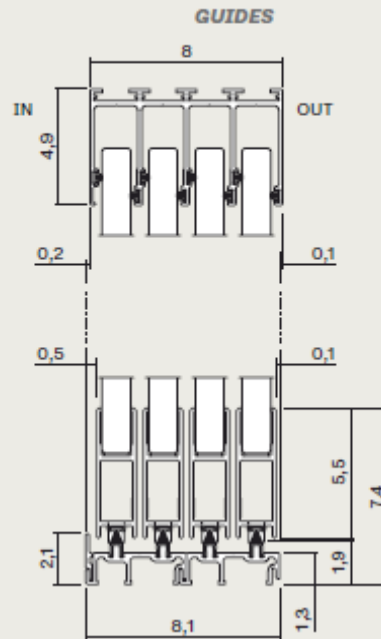
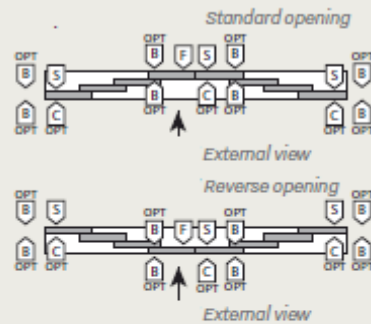
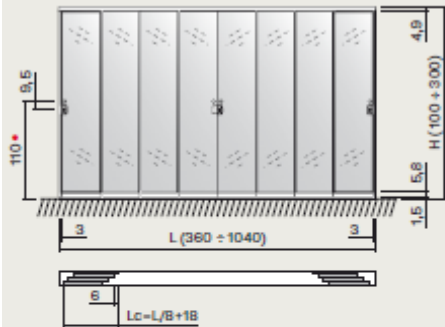
3 ways - 6 doors



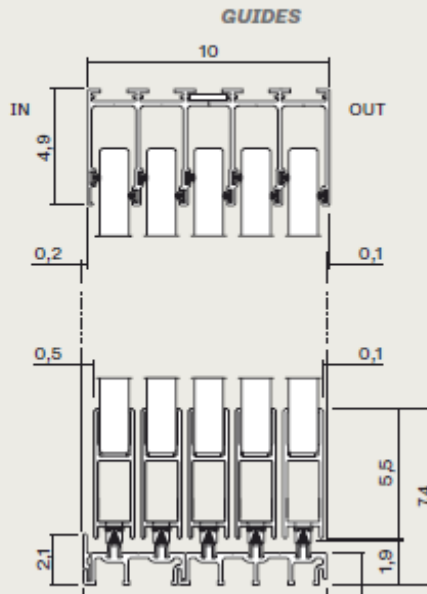
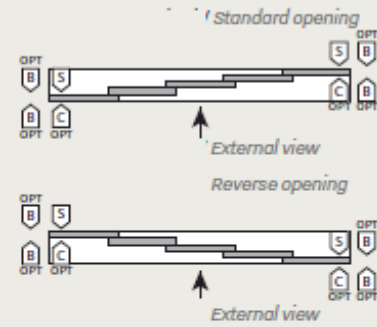
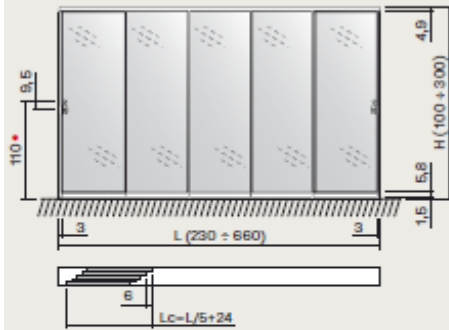
4 ways - 4 doors



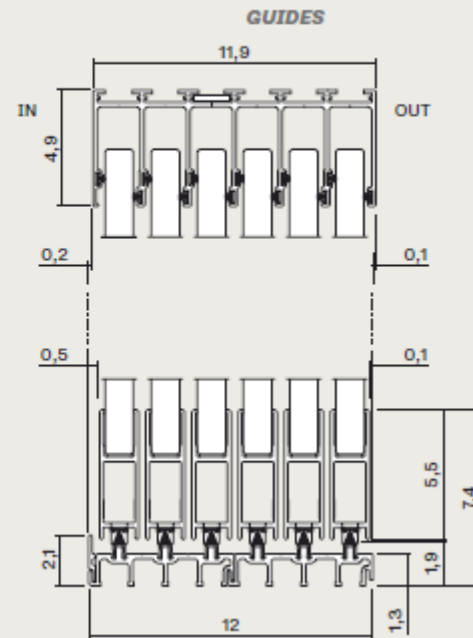
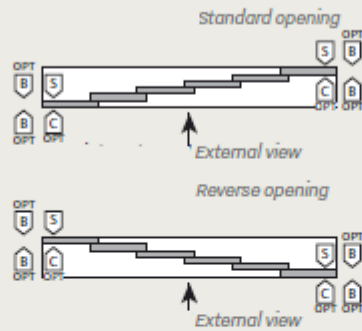
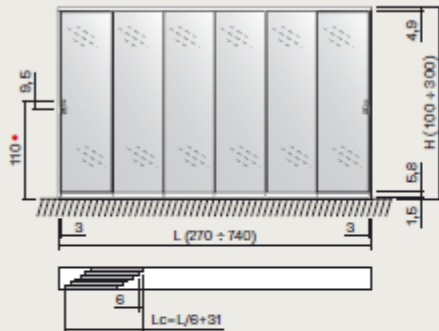
4 ways - 8 doors



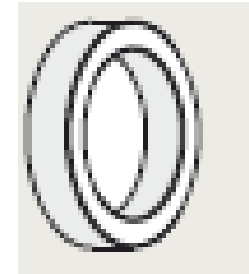
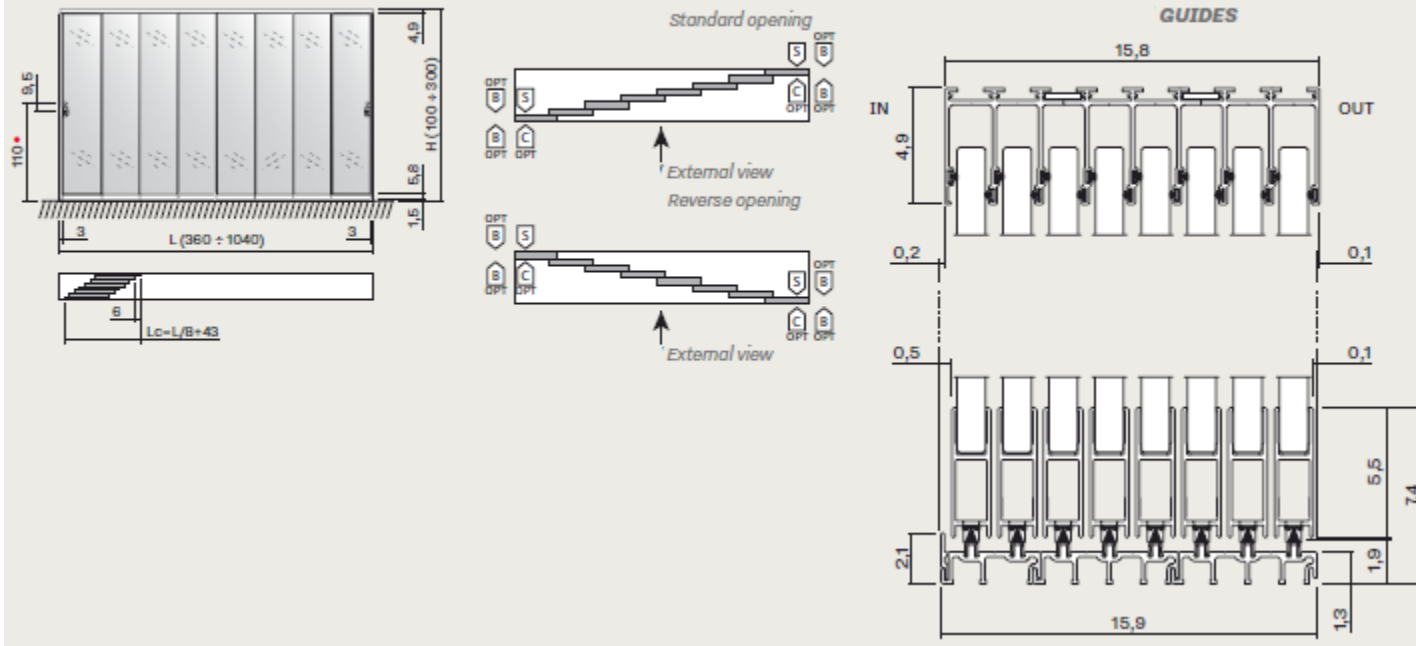
5 ways - 5 doors



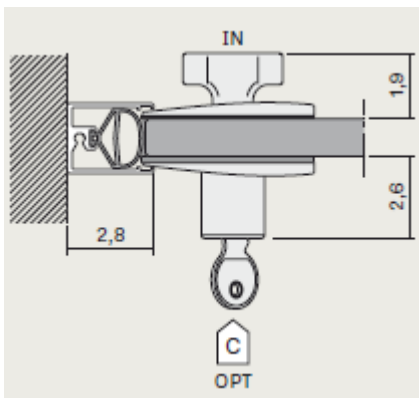
6 ways - 6 doors



8 ways - 8 doors



Driving Handle Disk



External Key Locks

Not compatible with Raso Screens.

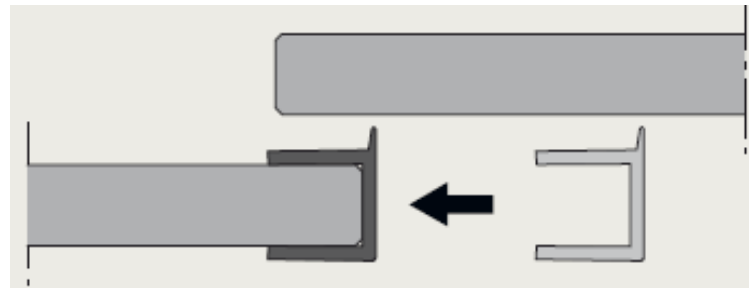
Each Lock has a key.

Door stop on bottom of floor track



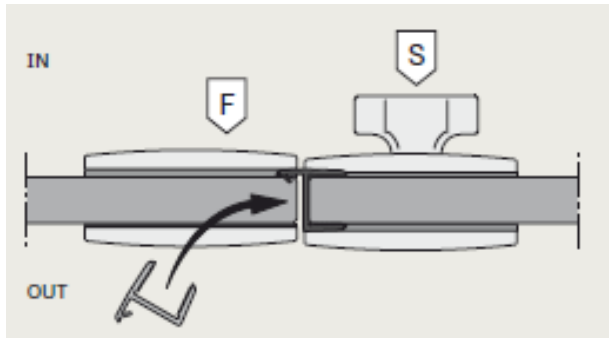
Guide side installation

Installation between Tracks



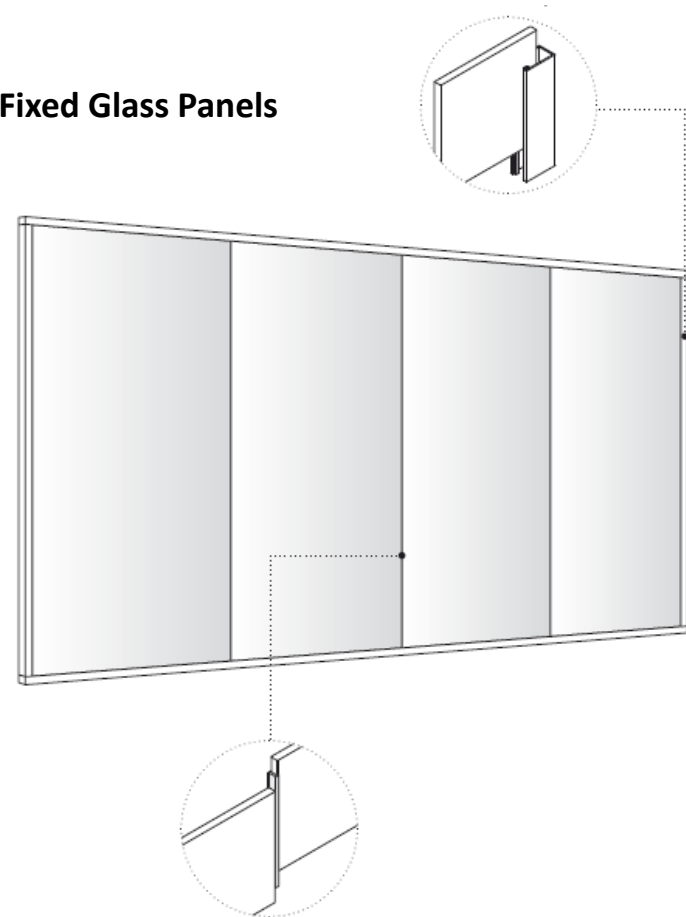
Vertical Gasket Seal:

For overlapping Doors



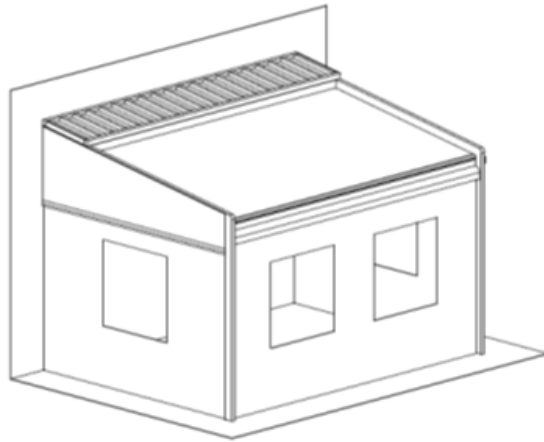
Door Seal

Optional Fixed Glass Panels



NOTES:

Note: Sunair® reserves the right to change engineering, specifications and prices without notice. Images and Illustrations in the catalog may vary from digital and printed manuals. Sunair® is not responsible for printed inaccuracies in this manual.



SUNPROOFING AMERICA!



MARYLAND LOCATION

Mailing: P.O. Box 1068
Shipping: 7785 Rt. 175
Jessup, MD 20794

Toll Free 800 - 548 - 0408
Phone: 410 - 799 - 1145
Fax: 410 - 799 - 5584

ARIZONA LOCATION

Mailing: Same as Jessup
Shipping: 3807 West Thomas Rd.
Phoenix, AZ 85017

Toll Free 877 - 272 - 3920
Phone: 602 - 272 - 3920
Fax: 602 - 272 - 3925

www.sunairawnings.com

info@sunairawnings.com