

TaHoma® RTS/Zigbee Smartphone and Tablet Interface

Item #: 1811731



OVERVIEW:

The TaHoma® RTS/Zigbee Smartphone and Tablet Interface is a WiFi to Radio Technology Somfy® (RTS) & Zigbee® bridge that can control up to 50 Zigbee devices and 40 RTS channels of RTS motorized products using the TaHoma® North America app available for iOS and Android devices. Through the app, users can send immediate Zigbee & RTS commands, create scenes (groups of motorized products working together) and schedules (timed events). Users can access TaHoma from anywhere via remote access. Though designed as a room controller, multiple bridges can be joined within the same RTS system only for multi-zone control. TaHoma can also be used as a WiFi to RTS/Zigbee interface for integration with third-party control systems. It is compatible with the Somfy Synergy™ API and Amazon Alexa.



TECHNICAL SPECIFICATIONS:

- WiFi Connection: 2.4Ghz
- Protocol /Frequency: RTS (433MHz) Zigbee 3.0 (2.4GHz)
- Power: USB 5V / 2A, Power Supply 100/240V- 50/60 Hz
- Material: ABS (PE UL94V-0 Flame Rating)
- Dimensions: 2.76" L x 2.76" W x 6.69" H
- Operating Temperature Range: 32°F – 95°F (0°C to 35°C)
- Rated Current (Amps): 10 to 50 milliamps
- Insulation Class: Class II
- Shipping Weight: Product 136g
- iOS Version: iOS 11 (TaHoma® North America App)
- Android Version: Lollipop 7.0 (TaHoma® North America App) or greater
- FCC ID: DWNBEECON
- IP Rating: IP 30 (for indoor use only)
- Warranty: 5 years (from date of manufacture)
- Certifications
 - UL
 - FCC
 - Zigbee 3.0

FEATURES SUMMARY:

- Control for up to 40 RTS channels per TaHoma from iOS and Android devices
- Direct wired connection to your internet network via the optional Ethernet Adaptor
- Join up to 10 TaHoma interfaces together (RTS only) for multi-zone control
- Maximum 40 scenes
- Maximum 40 schedules
- Automate connected devices with scenes and schedules
- With the TaHoma North America app, you can remotely activate both Zigbee and RTS products
- Supports UP/DOWN/MY/STOP commands for motorized shades/blinds
- Supports incremental control for Tilt motors and lighting
- Supports ON/OFF commands for control of lighting or other devices powered via the Zigbee Smart Plug
- Multiple users
- Remote access
- Control4® Certified
- Integration with third-party systems over IP
- Compatible with Somfy Synergy™ API
- Compatible device systems: Amazon Alexa, IFTTT, Phillips Hue, and Google Assistant

WHAT'S IN THE BOX:

- TaHoma® RTS/Zigbee Smartphone and Tablet Interface (w/ base stand)
- Power Supply
- Quick Start Guide

OPTIONAL ACCESSORIES:

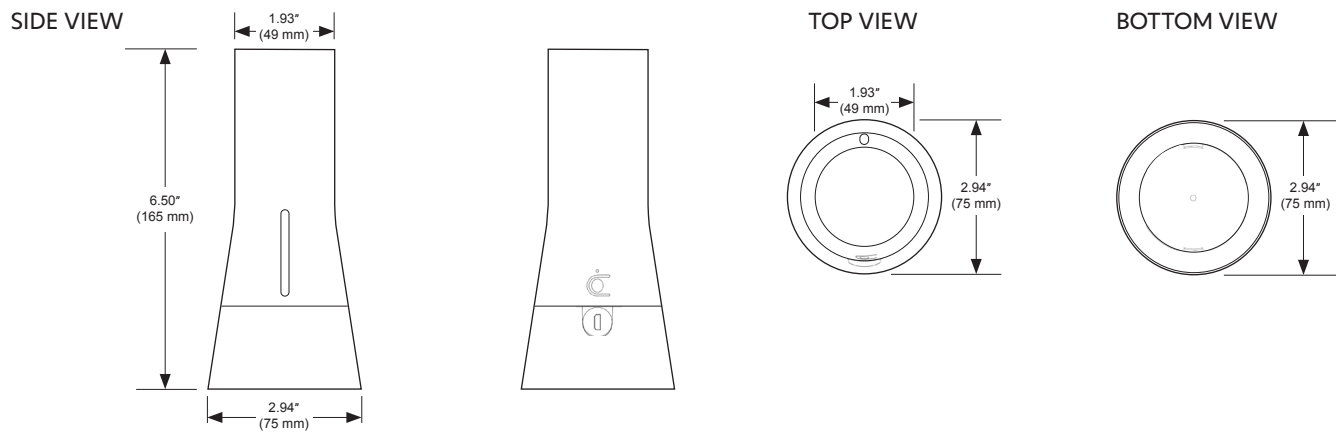
- Situo® 1 RTS Pure #1870571
- Situo® 5 RTS Pure #1870575
- TaHoma® Ethernet Adaptor #1870470
- Zigbee Smart Plug and Repeater #1800127
- Situo® 1 Zigbee Pure Transmitter #1800194
- Situo® 4 Zigbee Pure Transmitter #1800195

CONNECTIONS AND INDICATORS:



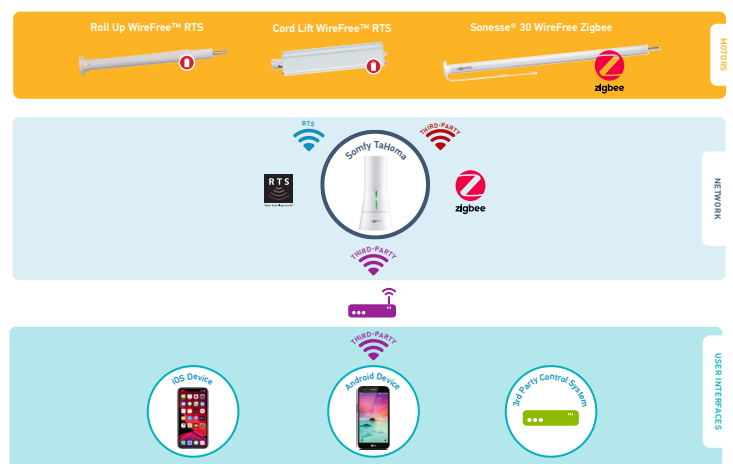
ELEMENT	FUNCTION
1 LED Indicator	BLUE: Direct WiFi mode for configuration RED: Bridge plugged in, not able to reach Somfy server ORANGE: Bridge is starting up GREEN: Bridge successfully connected to the network
2 Configuration Button	WiFi network setup / Set&Go Installation Mode
3 USB Port	USB slot for connecting compatible Ethernet Adaptor

DIMENSIONS:



BEST WIRING PRACTICES:

The diagram shown on the right is meant for illustrative purposes to show the connections from product to product. This device can be used in other configurations than shown below. Somfy does not recommend using a third-party ethernet adaptor with this device. Please ensure that the limits on the motor(s) have been set and tested.



TaHoma® Ethernet Adaptor

Item #: 1870470

OVERVIEW:

The TaHoma® Ethernet Adaptor adds an Ethernet LAN port to TaHoma, providing fast and stable internet connection.

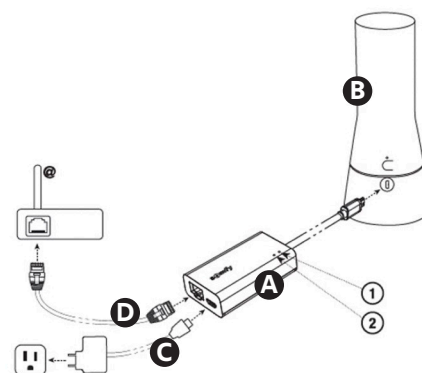
TECHNICAL SPECIFICATIONS:

- Input Power: Micro USB Female: 5V, 2A (max)
- Output Power: Micro USB Male: 5V, 2A (max)
- Number of Ports: (Downlink Port) RJ45 + Micro B Female
(Uplink Port) RJ45 + Micro B Male
- Transmission Speed: 10/100Mbps
- Operating Temperature: 0°C to 60°C
- Dimensions: 7.36" L x 1.39" W x 0.67" H
- Weight: 25.5g
- Certifications: FCC, IC
- Warranty: 5 years (from Manufacturer Date)

WHATS IN THE BOX:

- TaHoma® Ethernet Adaptor
- Safety Instructions

INSTALLATION:



- A** Ethernet Adaptor
 - ① Yellow light indicates data transfer
 - ② Green light indicates Ethernet connection
- B** TaHoma
- C** USB Power Supply
- D** Ethernet Cable