



## **Sunair® Pergola® Awning, Retractable Roof Awning, & Architectural Introduction**



- ❖ Weatherproof Retractable Fabric Roof Systems blocking 100% of UV light
  - ❖ Integrated Rainwater Management
  - ❖ Engineered for Commercial & Residential Use
  - ❖ Free standing or wall mounted models to best fit
    - ❖ Unit widths of 42' in a single piece of fabric
      - ❖ Projections up to 29'-6"
  - ❖ Larger systems can be made by adding multiple units together
    - ❖ Manual or Remote Controlled Motorized operation
- ❖ Optional Glass wall or roll down zipper screens for more weather protection
  - ❖ Integrated Heaters & LED Lighting system with no exposed wires
- ❖ Fast engineered installations with thorough instructions and onsite factory supervision available



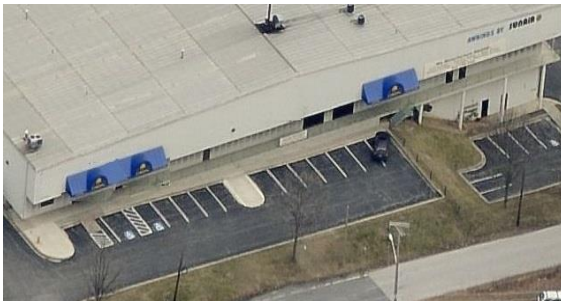


Sunair® has led the industry since 1978 in creating the highest quality, innovative and custom made retractable awnings and shade systems. In fact, Sunair® was among the first companies to introduce the European style retractable awning to the North American Market.

Today, our product line includes Pergola Awnings, Retractable Awnings, Interior and Exterior Rolling Solar Shades, and canopies, for homeowners and commercial installations including restaurants.

Our products are distributed through our network of independent dealers located throughout North America, Caribbean, and Mexico.

Sunair® has two manufacturing plants in North America.



*Jessup, MD, near Baltimore*



*Phoenix, AZ*

Our 100,000 square foot North East manufacturing plant and headquarters is located near Baltimore, Maryland. This plant services the entire East Coast and Mid-West. In Jessup is also our main showroom and training facility open to the public and professionals.

Our 25,000 square foot Phoenix, Arizona Western manufacturing plant services the entire U.S West Coast direct to the trade from this location.

## **SUNAIR® - The Past**

The company was originally founded in 1880 in Malmö, Sweden and known as N.P Martensson's Paraply Fabrik (Umbrella Factory), and later became Paraplymårten A.B (Umbrella Marten Inc.). Back then the company manufactured custom sun and rain umbrellas which were sold throughout Sweden and Scandinavia.





In the late 1960's the company changed over from umbrellas to the manufacturing of retractable awnings and canopies. The company was very successful in the Swedish and Scandinavian awning market.

The company wanted to expand its market. In 1978, Olof Martensson the 4<sup>th</sup> generation started Sunair® (Awnings Unlimited Inc.) in the USA as a subsidiary to the company in Sweden. Sunair® was the first of modern retractable awning companies to operate in the United States. Subsequently the company in Sweden was sold, and the Martensson family focused solely on the U.S operations.

Now the fifth generation Martensson's owns and operates the company.

## SUNAIR® - The Present

Today Sunair® is a nationally known U.S manufacturer and a successful company, focusing on the fabric shade business. Sunair® specializes in Retractable Awnings, Pergola Awnings, Solar Screens, and specialty awning products and now has a national presence with a dealer network throughout the entire US. Sunair® has built a reputation in the industry for a very diverse and high quality product line and over 50 years' experience manufacturing exterior shading products.





## Table of Contents

1. Model Specifications
2. Construction Specifications
3. Typical Rendering
4. Typical CAD Files
5. Care, Maintenance and Warranty Information
6. Fabric and Frame Options
7. What Sunair can provide you to get started
8. Structural Slope requirements
  - a. Full report available upon request



Pergola® Awnings complements both restaurant and residential patio areas. Available in multiple models to best fit your customers' needs and style.

Please contact us and we can help you design a system that best fits your client's needs.

Pergola® awnings make the patio area usable during the fierce mid-day sun and during rain events. Restaurants will not lose revenue on rainy days, and can increase revenue by opening and closing the patio serving area earlier and later in the season when adding roll downs screens and heaters.





# Pergola® Program

Retractable Patio & Deck Solutions



Sunair® Awnings is proud to align ourselves with the Pratic® company for our Pergola® awning systems. Pergola® compliments both restaurant and residential patio areas. Available in multiple models to best fit your needs and style. Now you can enjoy your patio area during the fierce mid-day sun and even when it is raining. Custom made to fit virtually any patio and application, larger areas can be covered with multiple units added and configured together. LED Lighting, Heaters, and Roll down screens with mesh or clear windows can be added for extra weather protection.

Pergola® Style	Model	Standard Fame Colors *	Maximum Width	Maximum Projection	Recommended Applications	Recommended Fabric
	<b>Pergola® LEVEL Patio System</b>	White, Cream, Corten or Iron Grey	42' 7" / 13.0m	21' 4" / 6.5m	Restaurant & Mid-Size Residential Patios	Standard: Ferrari 602 ----- Optional: 502 & others**
	<b>Pergola® NOMO Patio System</b>	Iron Grey, White Corten, Grey Ral 9006	18' / 5.5m	22' 11" / 7 m	Restaurant & Residential Patios	Standard: Ferrari 602 ----- Optional: 502 & others**
	<b>Pergola® RIALTO Patio System</b>	Iron Grey, White Corten, Grey Ral 9006	18' / 5.5m	22' 11" / 7 m	Restaurant & Residential Patios	Standard: Ferrari 602 ----- Optional: 502 & others**
	<b>Pergola® MITO Large Patio System</b>	Iron Grey	42' 7" / 13.0m	29' 6" / 9.0m	Restaurant & Large Residential Patios	Standard: Ferrari 602 ----- Optional: 502 & others**
	<b>Pergola® TECNIC ONE Large Patio System</b>	Iron Grey	42' 7" / 13.0m	29' 6" / 9.0m	Restaurant & Large Residential Patios	Standard: Ferrari 602 ----- Optional: 502 & others**

	<b>Pergola® WOOD PLUS Patio System</b>	Mahogany or Natural Impregnation	42' 7" / 13.0m	22' 11" / 7.0m	Restaurant & Residential Patios	Standard: Ferrari 602 ----- Optional: 502 & others**
	<b>Pergola® ALUTECNIC Patio System</b>	White, Cream or Corten	42' 7" / 13.0m	18' / 5.5.0m	Restaurant & Residential Patios	Standard: Ferrari 602 ----- Optional: 502 & others**
	<b>Pergola® TECNIC Patio System</b>	White, Cream or Corten	42' 7" / 13.0m	26' 3" / 8.0m	Restaurant & Mid-Size Residential Patios	Standard: Ferrari 602 ----- Optional: 502 & others**
	<b>Pergola® PHOENIX Patio System</b>	Iron Grey	22' 11" / 7.0m	32' 9" / 10.0m	Restaurant & Mid-Size Residential Patios	Standard: Ferrari 602 ----- Optional: 502 & others**
	<b>Pergola® ZEN Small Patio System</b>	White, Cream or Iron Grey	14' 9" / 4.5m	16' 5" / 5.0m	Café & Residential Patios	Standard: Ferrari 602 ----- Optional: 502 & others**
	<b>Pergola® STIL Patio System</b>	Iron Grey	42' 8" / 13.0m	22' 11" / 7.0m	Restaurant & Mid-Size Residential Patios	Standard: Ferrari 602 ----- Optional: 502 & others**
	<b>Pergola® EVO Large Patio System</b>	Iron Grey	42' 7" / 13.0m	29' 6" / 9.0m	Restaurant & Large Residential Patios	Standard: Ferrari 602 ----- Optional: 502 & others**

**Note:**

Some units that are typically installed to the wall can be manufactured and installed as free standing units. If so, then typically the configuration may change and the size and number of units may change as well. Such free standing units are usually configured as an A-frame system utilizing two systems, back to back, as opposed to one.

Some Free standing systems can be also wall mounted by eliminating the rear posts and also adding a header to install the rear gutter.

\* Optional colors & custom RAL colors available.

\*\* Ask Sunair about your particular application

Sunair® reserves the right to revise prices and engineering without notice.



**JESSUP, MD      800 – 548 – 0408**  
**PHOENIX, AZ      877 – 272 - 3920**

Revised 01/07/17



## SPECIFICATIONS

### Patio Covers and Pergola Awnings Section 107313 (10530)

### Fabric Retractable Engineered Structures Section 133400

Specifications for Pergola Awnings by SUNAIR®:

#### PART 1 - GENERAL

##### 1.1 SECTIONS INCLUDE / RELATED SECTIONS:

- A. 107113 Exterior Sun Control Devices
- B. 107300 Protective Covers
- C. 133133 Framed Fabric Structures

##### 1.2 SECTIONS INCLUDES

- A. Fabricated engineered Structure / aluminum frame
- B. Motors and Controls
- C. Fabric
- D. Accessories

##### 1.3 RELATED SECTIONS

- A. Section 03300 cast –In-Place Concrete: Concrete Pad, foundation and anchor bolts
- B. Section 08810 - Glass: Glass and glazing requirements for glazed openings.







C. Section 050513 Powder Coating.

#### 1.4 DEFENITIONS

- A. Structure / Pergola width is measured from outside of guide to outside guide
- B. Structure Pergola Projection is measured from wall to outside of pillar / posts
- C. Structure Post Height under gutter measured from top of post under gutter to bottom of post bracket

#### 1.5 DESIGN REQUIREMENTS

- A. Provide factory built prefabricated structures and shelters capable of withstanding the effects of loads and stresses within limits and under conditions indicated by local codes and manufacturer.

#### 1.6 SCOPE / DESCRIPTION:

- A. Furnish and install a Pergola® awning(s) (MODEL) as manufactured by Sunair Awnings & Solar screens , P.O Box 1068 Jessup, MD 20794 in accordance with the specifications below.

#### 1.7 SUBMITTALS

- A. Product Data: Manufacturers data sheet shall be submitted for each product specified including, finishes, dimensions, options and installation instructions.
- B. Drawings and diagrams: Product details, installation details, working and assembly drawings shall be supplied as requested.





C. Sample: Contractor or agent shall supply sample of materials as required.

#### 1.8 QUALITY ASSURANCE

A. Product shall be manufactured to meet or exceed the quality and standards of the Pergola® awnings as per description above.

B. Supplier shall be approved to supply the products specified and shall honor all claims and warranties as specified in accordance with manufacturer's warranty.

C. Provide structures from one manufacturer for the entire project if possible.

#### 1.9 DELIVERY STORAGE AND HANDLING

A. Product shall be delivered to site in manufacturer original packaging.

B. All products should be stored and handled to prevent damage to materials, finishes, and operating mechanism.

#### 1.10 WARRANTY

A. Supplier shall honor manufacturer's product warranty from date of installation (See specific warranty detail available from Sunair Awnings & Solar Screens).

### PART 2 – PRODUCTS





## 2.1 MANUFACTURERS

- A. **Acceptable manufacturer: Sunair Awnings and Solar Screens (Awnings Unlimited Inc)**  
P.O Box 1068, 7785 Rt. 175, Jessup, MD 20794. 800-548-0408. info@sunairawnings.com, www.sunairawnings.com
- B. **Substitutions: Substitutions not permitted. Any substitutions must be submitted for approval 30 days prior to close of bid.**
- C. **Product descriptions and types. Pergola® is a custom made retractable fabric structure in which the structure is made of a stationary aluminum framework with a folding or retractable fabric roof cover. The fabric is supported by paralleled intermediary support fabric bars located approximately every 22" along the structure. The fabric cover and support bars retract and extends along the aluminum fabric structure by means of a belt and carriage system. The control mechanism is a 110 volt Somfy tubular motor which is operated with a remote control.**
- D. **Pergola® wall mounted or structure mounted models include the LEVEL, MITO, TECNIC, EVO, ALUTECHNIC, STIL, and TECNIC ONE.**
- E. **Free standing model includes the NOMO, RIALTO, PHOENIX, and ZEN.**

## 2.2 STRUCTURAL & MATERIALS

- A. **Product Description: Frame member's tubular aluminum Extrusion anodized or powder coated from manufacturers standard or custom available color range.**
- B. **Unit Size: Field measure each structure to fit. Dimensions: Overall width, overall projection, mounting height at wall, post height.**
- C. **Type of system, Type 1 with two (2) guides & pillars / posts , Type 2 with three (3) guides & pillars / posts, and Type 3 with four (4) guides & pillars / posts.**





- D. Hood system to fit specified projection
- E. Fabric: PVC Ferrari 602, Ferrari 502, Ferrari 6002 Stam, Opatex, Soltis 86, and Acrylic fabrics from manufacturers standard range of types and colors.
- F. On Type 1 systems with two (2) posts provide the patented “click and Lock” system allowing for easy and safe installation of the fabric and front bar to the aluminum structure / frame.
- G. The Pergola® “Drop catcher” system shall be integrated on all support bars and carriages when the unit utilizes “taut” straight fabric with pitch to reduce water flowing over the sides of the fabric. With the Drop catcher system installed and proper pitch, the water flows into the integrated gutter system.
- H. The Pergola® “Safety box” shall be integrated on all motorized units and installed on the running profiles.
- I. Motors and controls shall be manufactured by Somfy Inc. in Cranberry NJ, from their standard radio compatible 550 or 660 series (ALTUS RTS) range.

### 3 ACCESSORIES

- A. Roll up SC2000, SC3000, SC4000, SC4500 zipper screens, or SC2500 screens manufactured by Sunair® either open roller or cassette type with zipper track or cabled with the magnetic lock device. Available fabric, either mesh or solid vinyl with windows as per manufacturers available range.
- B. LED Lights
- C. Heaters
- D. Glass panels
- E. Alternate or to one side water drainage for flat none sloped structures





F. Undercover / swag fabric made of acrylic fabric to simulate canvas look

## PART 3 –EXECUTION

### 3.1 INSTALLATION

A. Install structures in accordance with the manufacturers standard instructions.

B. If motorized, set the limit switches and program all remotes. Coordinate with the electrician so that all motors are wired to local codes.

C. Coordinate installation with other divisions for proper installation of structure to decking, concrete slab or wall attachment. Anchor mounting supports to provide adequate support for intended use of structure, design loads, and local codes.

D. Buildings are to be field measured by the awning contractor prior to Pergola awning being manufactured and installed.

### 3.2 DEMONSTRATION

A. Demonstrate operational method and instruct owner's personnel in proper operation and maintenance of the awning system. Supply manuals that are applicable.

END OF SECTION

Revised 04/19/17





## Sample Rendering

PROPOSED PERGOLA CLOSED

PROPOSED PERGOLA RE-TRACKED

DATE: \_\_\_\_\_ APPROVED: \_\_\_\_\_

PROJECT: \_\_\_\_\_ REVISION DATE: \_\_\_\_\_

SOLD AS NOTED

TITLE: PERGOLA MODEL: BQ 19'x40' 8 PORTS SHEET # 1 OF 1 REVISION# \_\_\_\_\_

DATE: 5/7/2014 DRAWN BY: \_\_\_\_\_

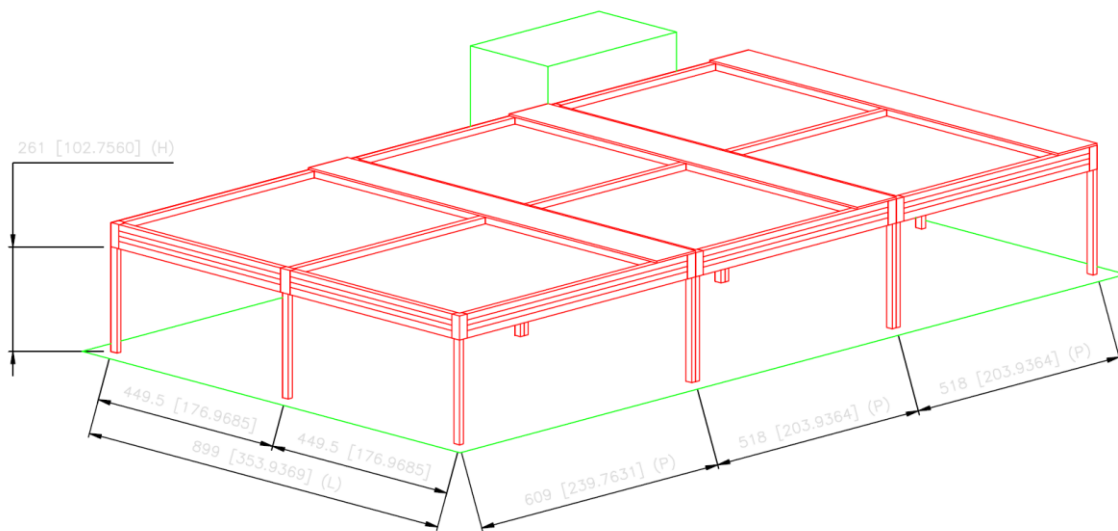
EXISTING CONDITION

NOTE: EXISTING AWNING REMOVED TO SHOW COURT YARD WITH PROPOSED PERGOLA.

SUNAIR Awnings & Solar Screens  
Jessup, MD & Phoenix, AZ  
410-799-1145  
800-548-0408  
410-799-5584



## Sample CAD Drawing





## Care & Maintenance

**DEAR PERGOLA® AWNING OWNER!**

**CONGRATULATIONS** on your new purchase! We would like to thank you for choosing SUNAIR® for your Pergola® awning needs. You will find that your new awning will give you many years of satisfactory service.

*For Further information please also refer to the Pergola® Limited Warranty*

**Be mindful that all SUNAIR® PERGOLA® products are designed primarily for sun protection and if properly configured, moderate to normal inclement rainy weather. Your awning and screens (if configured on your Pergola® system) should be in retracted position when you are not on the premises and during any severe weather events. The product should not be extended during extreme high winds, or snow as damage to the awning and building can occur. Do not use the awning during any inclement weather if the temperature is near or below freezing as ice can build up on the awning. If your Pergola® is installed with the proper pitch for water drainage, or if your unit is upgraded with the “optional” water drainage to the sides for proper water drainage, then your Pergola® will withstand moderate to normal rain occurrences. However, if your unit has acrylic fabric, “loose” hanging fabric, or is mounted flat without pitch or special upgraded water drainage accommodations, your Pergola® awning will not withstand any rain at all. In such a case, even light to moderate rain can damage the fabric and frame. Also be mindful that if your Pergola® awning is designed and installed for use in inclement / rainy weather, make sure the rain is not excessive and is able to shed off the fabric properly when the awning is in use. Buildup of water can be damaging to the awning, property and persons and the structures are not engineered for water or snow loads.**

### **Important:**

**To fully be able to shed water as it was designed to do, the pergola fabric must be fully extended in order for the water to flow properly to the front or sides as per above. Therefore, it is important that you monitor the awning when use in rain to make sure it properly shedding water off the top of the awning either to the front into the gutter, off the front, or off the sides. Do note that the awning does not have to be fully extended if it is only used for sun. Partially extended units are ok if used for sun protection only, and wind is it calm.**







## **Maintenance:**

All Sunair® Pergola Awnings need very little maintenance other than periodic inspection and cleaning depending on saline environment and if the unit is mounted in an area with excessive dirt, pollen, and pollution etc.

Inspect the unit periodically to make sure the motor limits are set so that the fabric is taut and in its proper position when the awning fabric is extended. Motors do not require any maintenance. The motor is installed inside the safety box. Should the motor get out of adjustment, do not re-set the motor limit switches yourself, notify your SUNAIR® Pergola® awning dealer.

If motor remote and or limits behave abnormally, please call the dealer you purchase the unit from. If the limits need to be re-set, do not attempt to do this on your own. If so, call your Sunair® dealer.

A Somfy EOLIS wind sensor can be added and offer extra protection from high winds, but is not a guarantee against damage. Systems fitted with sun and wind sensors that are damaged by wind are not covered under the warranty. An awning fitted with a wind sensor should still be monitored at all times.

If installation is near salt water, please wash the awning at least once a month with fresh water. Your warranty is void on the Pergola awning if maintenance has not been carried out per this maintenance manual.

**Guides / Runners:** Wash the inside of the guiderail/runner where the trolleys move up and down with a hose and a brush to remove any accumulated dirt or debris once a year (once a month in high saline areas). Never use any kind of lubricant in this area for any reason.

**Fabric Cover:** Maintenance is limited to cleaning only. Wash the cover at least 2 to 3 times a year to prevent dust or debris from being accumulating and hardening from the sun. Wash with neutral detergent and a hose (no pressure washers) let it soak for 10 minutes and then use a sponge or mop like product to remove the dirt and then rinse. Repeat if necessary.





**Wood Pergola® units:**

Normal wear and unavoidable deterioration of the wood of Pergola Wood Plus awnings will happen over time and is not covered by the warranty. Inspect the wood pergola yearly and re-stain if needed. Watch for decay of varnish and any twisting of the wood. Depending on the location/environment wash the wood every 2 to 3 years with water and neutral detergent, brushing it thoroughly in order to remove any residue. Once the wood is dry, apply one or two coats of the preferred transparent or colored water based impregnating agent as to renew the protection of the wood.

Proper care and maintenance is important if the maximum life of the product is desired. Routine care is simple but certain recommended procedures should be followed. For extended storage periods, make sure your awning is dry and free of debris before retracting to prevent possible mildew. If the awning is retracted while the fabric is wet, extend the awning out after the rain to dry. Remove bird's nests from the frames as the birds can destroy the fabric. Acrylic fabric should be cleaned regularly with a soft brush before substances such as dirt and roof particles become imbedded in the fabric. Most fabrics used today can be cleaned with mild detergent. You must check with your dealer for separate care and cleaning instructions for your fabric.

**PERGOLAS WITH OPTIONAL SCREENS ADDED:** If unit is motorized, monitor the screen during operation. If screen has windows, do not operate if temperature is below 45 degrees. Units with solid fabric and windows will require periodic inspections by the owner to make sure the fabric and zipper do not stick. The windows may cloud up or become foggy over time within the warranty period or prior to the rest of the fabric becoming unserviceable. The "clear plastic windows" are not covered under this warranty. Do not allow the fabric to stay rolled up for long periods of time without airing them out. Do not roll the fabric up wet. If rolled up wet, allow the fabric to dry out as soon as possible. Wind damage is not covered under this warranty. Wind can also pull the zipper out of the track. If wind pulls the zipper out of the track, the zipper will need to be re-inserted which is not covered by this warranty. See separate "warranty" and "operating" instructions for the SC2500, and SC4500 exterior zipper screen systems.





## PERGOLA LIMITED WARRANTY

**5 year Limited Frame Warranty:** Pergola® Pratic models, LEVEL, MITO, ONE, TECNIC, WOOD+, PHOENIX, ZEN, Nomo, Rialto, Raso & and any other Pratic products offered by Sunair®.

SUNAIR® (Awnings Unlimited Inc.) warrants the above specified “Frames” for a period of five (5) years from the date of original purchase. The paint/ finish on all models is warranted for five (5) years from original purchase. The motors and electronics are warranted for five (5) years from original purchase by the manufacturers of these products. Acrylic and vinyl fabrics are warranted for five (5) years by the manufacturer of these fabrics (Depending on type of fabric). See separate manufacturer’s limited warranties for fabric, motors, and electronics. For the 1<sup>st</sup> two years, any replacement part will be 100% of the value of the part to be warranted. This value will decrease in year three through five as per the following increments (3<sup>rd</sup> year 60% of value, 4<sup>th</sup> year 40% of value, and 5<sup>th</sup> year 20% of value).

Under this limited warranty, SUNAIR® warrants to the original purchaser “customer” but not a third party that the frame be free from defects in workmanship and materials under normal and proper use during the warranty period. Under this warranty, SUNAIR® agrees to repair at our facility or replace free (at our option) any aluminum or wood hardware, or component part, not including labor costs and any “in the field” labor related to the repair, freight (to and from). Any defect must be reported within the warranty period listed above and approved by SUNAIR®. Any item replaced under warranty does not extend the warranty period.

### WARRANTY EXCLUSIONS.

Normal wear and tear is not covered by this warranty (See product specific and additional warranty exclusions and care and maintenance instructions below). SUNAIR® assumes no liability for damage due to faulty installation, reinstallation, service, altered parts, failure to adhere to pitch requirements as set forth in the OEM / SUNAIR® installation manuals, use or misuse for which the product was not intended or improper maintenance and cleaning, whether routine or otherwise. SUNAIR® is not liable for damage to any structure to which the product is attached, or to property above or near the product. This warranty does not cover any damage to the product or structure caused by nature such as acts of God, ice, snow, rain, high winds, gales, hurricanes, tornadoes, vandalism, neglect, fire, use of which the equipment is not intended, weights or loads allowed to accumulate, dents, scratches, weather soiling/stains from environmental pollution, degeneration due to saltwater corrosion, or





normal wear and tear from use. Do not exceed the wind load calculations or recommendations for your systems width and projection configuration. Sunair may provide engineering calculations for select models that may be utilized by your engineer to certify the system, or only require small alterations. However, neither Sunair nor Pratic will be liable for the use of any calculations we provide or the performance of subject structures in the field using any calculations we provide. It is up to each customer to do site specific engineering calculations for each project. Monitor your system at all times to make sure it is not out in too severe weather. This warranty is in lieu of all warranties, expressed or implied, including warranties of merchantability and fitness for a particular purpose. SUNAIR® will not be liable for any consequential or incidental damages, or injuries arising from an alleged breach of this limited warranty. This warranty gives specific legal rights and you may also have other rights that may vary from state to state. Purchaser shall defend, indemnify, and hold SUNAIR®, Awnings Unlimited Inc, or SUNAIR® WEST harmless against all claims, suits, proceedings, losses, liabilities, and damages (Including costs expenses and reasonable attorney's fees) asserted by third parties against the Purchaser which arise out of any act or omission that constitutes a breach of purchasers warranty hereunder. Should a dispute arise under this warranty, it will be governed by the laws of the state of Maryland, and any action to enforce this warranty must be initiated in Howard County, Maryland. This warranty is null and void if the system is sold, serviced or repaired by an unauthorized PERGOLA® Pratic dealer or service outlet. Further, this warranty is null if product is not fully paid for in a timely manner according to payment terms, or proof of purchase cannot be provided (ie. Invoice or receipt from an authorized SUNAIR® dealer).

**WARRANTY EXCLUSIONS continued:**

Be mindful that all SUNAIR® PERGOLA® products are designed primarily for sun protection and moderate to normal inclement weather. Your awning and screen (If configured on your Pergola® system) should be in retracted position when you are not on the premises and during any severe weather events. The product should not be extended during extreme high winds, or snow as damage to the awning and building can occur. Do not use the awning during any inclement weather if the temperature is near or below freezing as ice can build up on the awning. If your Pergola® is installed with the proper pitch for water drainage, or if your unit is upgraded with the "optional" panels sloping to the sides for proper water drainage, then your Pergola® will withstand moderate to normal rain occurrences. However, if you unit has "loose" fabric and or is mounted flat without pitch or special upgraded water drainage accommodations, your Pergola® awning will not withstand any rain at all. In such a case, even light to moderate rain can damage the fabric and frame. A Somfy EOLIS wind sensor can be added and offer extra protection from high winds, but is not a guarantee against damage. Systems fitted with sun and wind sensors that are damaged by wind are not covered under this warranty. This warranty does not cover the effects on saline environment on the metal parts. If installation is near salt water, please wash the awning at least once a month with fresh water.





Warranty is void on the Pergola awning if maintenance has not been carried out per the maintenance manuals. Motors do not require any maintenance. The motor is installed inside the safety box. Should the motor get out of adjustment, do not re-set the motor limit switches yourself, notify your SUNAIR® Pergola® awning dealer. This warranty also does not cover variations in exact frame color match of the profiles to the Ral# designation ordered as slight variations in color may occur. Also, the waterproofing on the fabric may degrade over time and this is not covered by this warranty.

Additional exclusions wood Pergola® units:

Normal wear and unavoidable deterioration of the wood of Pergola Wood Plus awnings are not covered by this warranty (gnarls, cracks, and small deformations are absolutely natural) including normal decay of varnish. The wood is covered by a warranty against degradation due to putrefaction due to fungi and insects, provided that 1) the wood is not in contact with the ground or water. 2) The beams have not been planned, milled or altered from its original manufactured state. 3) The wood beams have not been installed in proximity of dirt and mulch. 4) Cracks and splits in the wood have been filled and sealed when they appear. 5) The structure has not been overloaded. 6) No modifications, repairs, or replacements have been done by third party without approval of the dealer. 7) The maintenance has been carried out as stated in the maintenance manual

Proper care and maintenance is important if the maximum life of the product is desired. Routine care is simple but certain recommended procedures should be followed. For extended storage periods, make sure your awning is dry and free of debris before retracting to prevent possible mildew. If the awning is retracted while the fabric is wet, extend the awning out after the rain to dry. Remove bird's nests from the frames as the birds can destroy the fabric. Acrylic fabric should be cleaned regularly with a soft brush before substances such as dirt and roof particles become imbedded in the fabric. Most fabrics used today can be cleaned with mild detergent. You must check with your dealer for separate care and cleaning instructions for your fabric.

Returns for repairs or replacement: No returns will be accepted without prior written authorization by SUNAIR®. A Return Authorization number issued by SUNAIR must accompany all returns, and all unauthorized returns will be refused. The return shipment is to be freight prepaid by the buyer, and under no circumstances shall the buyer deduct the value of the returned merchandise or the freight from any remittance due.

PERGOLAS WITH OPTIONAL SCREENS ADDED: If unit is motorized, monitor the screen during operation. If screen has windows, do not operate if temperature is below 45 degrees. Units with solid fabric and windows will require periodic inspections by the owner to make sure the fabric and zipper do not stick. The windows may cloud up or become foggy over time within the warranty period or prior to the rest of the fabric becoming unserviceable. The "clear plastic windows" are not covered under this warranty. Do not allow the fabric to stay rolled up for long periods of time without airing them out. Do not roll the fabric up wet. If rolled up wet, allow the fabric to dry out as soon as





possible. Wind damage is not covered under this warranty. Wind can also pull the zipper out of the track. If wind pulls the zipper out of the track, the zipper will need to be re-inserted which is not covered by this warranty. See separate "Operating" instructions for the SC2500 and SC4500 exterior zipper screen systems.

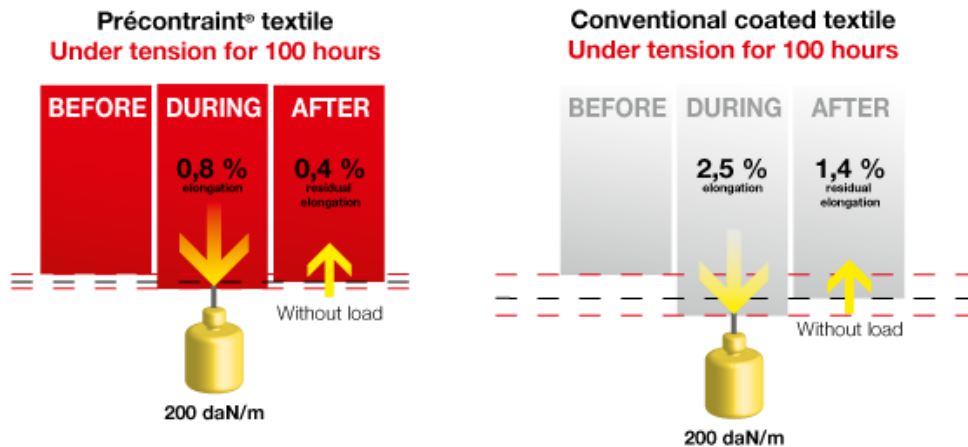
THIS WARRANTY IS VOID IF AWNING IS NOT REGULARLY MAINTAINED  
AND CLEANED





**FERRARI**  
PRECONTRAI

***Precontraint #602***  
***Ivory and White***  
***& 502 ( Available in many colors)***





MAJOR ADVANTAGES / VENTAJAS

- > Excellent weldability > Excelente soldabilidad
- > Optimum weight/capacity ratio (602 opaque) > Relación peso/opacidad óptima (602 opaco)
- > Accessories: > Accesorios:  
Strips 655 (p. 69), Rod (p. 70), Kedar 709 & 719 (p. 74) Strips 655 (p. 69), Rod (p. 70), Kedar 709 & 719 (p. 74)
- > Maintenance: Cleaner 500 (p. 72) > Mantenimiento: Cleaner 500 (p. 72)

COLOURS AND REFERENCES  
COLORES Y REFERENCIAS

TRANSLUCENT / TRANSLÚCIDO

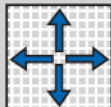
	602-8100
	602-8341L

OPAQUE / OPACO

	602-8503
	602-50020

TECHNICAL SPECIFICATIONS / CARACTERÍSTICAS TÉCNICAS

	Précontraint 602 translucent / translúcido	Précontraint 602 opaque / opaco	Standards / Normas
Yarn / Hilo	1100 dtex PES HT	1100 dtex PES HT	<b>TERSUISSE</b> 
Weight / Peso	650 g/m <sup>2</sup>	750 g/m <sup>2</sup>	EN ISO 2286-2
Width / Ancho	250** / 267 cm	250** / 267 cm	
Standard format length/jumbo rolls* Longitud estándar para piezas/bobinas*	± 60 ml/± 350 ml	± 60 ml/± 300 ml	
Tensile strength (warp/weft) Resistencia a la tracción (urdimbre/trama)	250/250 daN/5 cm	250/250 daN/5 cm	EN ISO 1421
Tear strength (warp/weft) Resistencia al desgarro (urdimbre/trama)	20/20 daN	20/20 daN	DIN 53.363
Adhesion / Adherencia	9/9 daN/5 cm	9/9 daN/5 cm	EN ISO 2411
Finish / Acabado	Varnish both sides / Barniz dos caras	Varnish both sides / Barniz dos caras	
Flame retardancy / Reacción al fuego	<b>M2/NFP 92-507 • B1/DIN 4102-1 • M2/UNE 23.727-90 • BS 7837 1530.3/ AS NZS • NFPA 701 Method 2 Schwerbrennbar-Q1-Tr1/ONORM A3800-1</b>		
Cold resistance / Resistencia al frío	- 30°C	- 30°C	
Heat resistance / Resistencia al calor	+ 70°C	+ 70°C	
Quality management system Sistema de gestión de calidad			ISO 9001



Dimensional stability  
Estabilidad dimensional



UV resistance  
Resistente a los rayos UV



100% recyclable  
100% reciclable

The technical characteristics shown here are average values, given for information only and may be modified.

\*Our packaging data are given for information only and may vary as a function of manufacturing conditions.

\*\*Please ask us

Las características técnicas mencionadas son valores medios dados a título indicativo y sujetos a modificaciones.

\*Nuestras presentaciones se dan a título indicativo y pueden variar en función de nuestras necesidades de fabricación.

\*\*Consúltenos



# PRECONTRAIN 502 SATIN

## MAIN FEATURES

- Satin finish **NEW!**
- Dimensional stability
- Flexibility and strength
- Heat and weather protection
- High UV resistance
- Exceptional dirt resistance thanks to a PVDF topcoat on both sides
- Wide range of colors - 13 **NEW** colors!
- 10 year warranty

## APPLICATIONS

- Awnings
- Canopies
- Shade sails
- Light structures
- Tents

## TECHNICAL PROPERTIES

	Preconstraint 502 Satin	Standards
Yarn	1100 dtex PES HT	
Weight	16.7 oz/sqyd	EN ISO 2286-2
Roll width	70.9"	
Roll length	54.68 yds (50 lm)	
Tensile strength (warp/weft)	200/200 daN / 5 cm	EN ISO 1421
Tear strength (warp/weft)	20/20 daN	DIN 53.363
Adhesion	7/7 daN / 5 cm	EN ISO 2411
Flame retardancy	Method 1 /NFPA 701 • CSFM T19 • Class A/ASTM E84	
Quality management system		ISO 9001

Certifications, labels, warranties, recycling



The technical data above are averaged values with a +/- 5% tolerance.

The buyer of our products is fully responsible for their application and their transformation with regard to any possible third party. The buyer of our products is responsible for their implementation and installation according to the standards, workmanship and safety regulations in force in destination countries. For information on our contractual warranty, please refer to the relevant terms and conditions.

The values quoted above represent results of tests performed in compliance with common design practices and are provided for information only to enable customers to make the best use of our products. Our products are subject to changes based on technical advances and we reserve the right to modify their characteristics at any time. The buyer of our products is responsible for checking the validity of the above data.

### → Contact

SERGE FERRARI NORTH AMERICA  
1460 SW 6th Court  
Pompano Beach, FL. 33069  
T: (954) 942-3600  
marketing.us@sergeferrari.com

### → TEXYLOOP®

- The Serge Ferrari operational recycling chain
- Secondary raw materials of high intrinsic value compatible with multiple processes
- A quantified response to combat depletion of natural resources

www.texyloop.com



The colors and textures represented in this document are provided as a reference only. Whether viewed on screen or printed, they can not accurately match the real Preconstraint range colors and are therefore not contractual.

US | Preconstraint is a registered trademark of Serge Ferrari sas.  
OCTOBER 2015/V1.0

Cover Photo: LEGOLAND, Orlando, Florida  
Courtesy Awning Works, Clearwater, Florida



Here is what Sunair can provide you to get your project started

- “DWG” Drawings and specifications for you to specify Pergola awnings into your project
- Provide fabric and frame color sampling
- Provide a local dealer for sales, installation, and service
- Assist dealer & Contractor with shop drawings and signed engineering drawings
- Factory trained in field installation assistance

Log onto [www.sunairawnings.com](http://www.sunairawnings.com) for further information. Either click on Pergola Awnings tab, or go to “Architects” section at top of the home page and register.

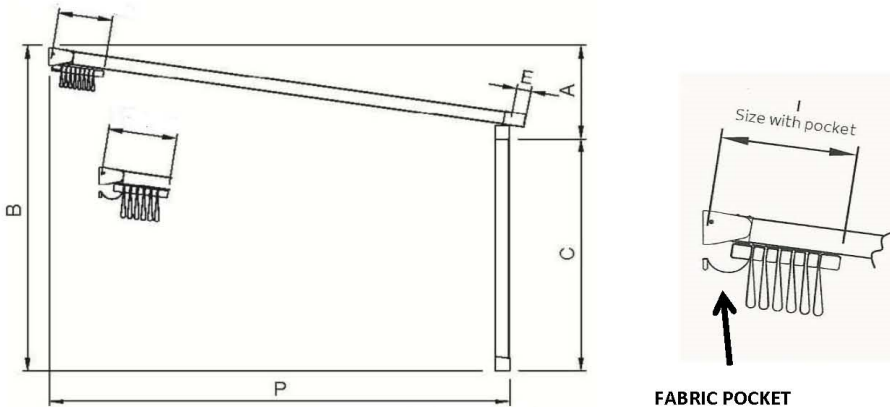




THE BELOW CHART REPRESENT THE IDEAL SLOPE ON THE "LEVEL" UNIT WITH TAUT FABRIC FOR PROPER WATER DRAINAGE  
SEE OTHER OPTIONS FOR WATER DRAINAGE ON FLAT UNITS IN PRICELIST

PROJECTION "P"	DROP "A" IN CM/INCHES												NUMBER OF FABRIC FOLDS	FABRIC VOLUME RETRACTED W/POCKET
	2.5M 8'-2"		3.0M 9'-10"		3.5M 11'-5"		4.0M 13'-1"		4.5M 14'-9"		5.0M 16'-5"			
	CM	INCHES	CM	INCHES	CM	INCHES	CM	INCHES	CM	INCHES	CM	INCHES		
2.0M (6'-6")	44	18	48	19	52	21	54	22	55	22	55	22	3	18"
2.5M (8'-2")	49	20	54	22	59	24	62	25	63	25	63	25	4	19 3/4"
3.0M (9'-10")	54	22	60	24	66	26	69	28	70	28	70	28	5	21 3/4"
3.5M (11'-5")	59	24	66	26	73	29	76	30	78	31	78	31	6	23 1/2"
4.0M (13'-1")	63	25	71	28	79	32	83	33	85	34	85	34	7	25 1/4"
4.5M (14'-9")	68	27	77	31	86	34	91	36	93	37	93	37	8	27 1/8"
5.0M (16'-5")	73	29	83	33	93	37	98	39	100	40	100	40	9	29 1/8"
5.5M (18')	78	31	89	36	100	40	105	42	108	43	108	43	10	30 3/4"
6.0M (19'-8")	82	33	94	38	106	42	112	45	115	46	115	46	11	32 3/4"
6.5M (21'-4")	87	35	100	40	113	45	120	48	123	49	123	49	12	34 3/4"

THE RECOMMENDED HEIGHT "C" AT THE FRONT BAR IS 230CM OR 90.5"



Above are slope requirements are for a LEVEL Pergola® unit with "TAUT" fabric and water drainage to the front gutter. Flat units are possible with added water drainage to sides (optional extra charge). Required slope varies with Pergola model. Free standing Pergola® units that are flat and do not need a slope.





Back Cover

## SUNAIR® AWNINGS & SOLAR SCREENS

P.O Box 1068 Jessup, MD 20794

Phone: 410-799-1145 1-800-548-0408 Fax:  
410-799-5584 [www.sunairawnings.com](http://www.sunairawnings.com)  
[info@sunairawnings.com](mailto:info@sunairawnings.com)

Maryland Sales department: 800-548-0408  
[sales@sunairawnings.com](mailto:sales@sunairawnings.com)

**Jesse Goodman – National Manager (Pergola Division)**

Phone: 410-292-6692 1-800-548-0408 Fax: 410-799-5584 [www.sunairawnings.com](http://www.sunairawnings.com)  
[JesseG@sunairawnings.com](mailto:JesseG@sunairawnings.com)

