


SC4500 MASTERSHADE® WITH ZIPPER



The SC4500 is an exterior rolling zipper shade which can be used for sun and insect control or used with clear vinyl windows for light weather protection. The fabric runs inside vertical zippered guide tracks by means of gravity. When the shade is retracted the fabric is stored in the built-in protective box. A specially designed horizontal weighted hem bar keeps the fabric taut. The Mastershade® SC4500 is made of the highest quality extruded aluminum. The SC4500 box is 5 3/16" deep, and 5 1/4" high. The SC4500 shades are also ideal for use in conjunction with the Pergola® Pratic awning systems also offered by Sunair® as side screens to create an enclosure.

Screen Style	Type	Standard Frame Colors	Standard Widths	Standard heights	Recommend Application	Recommend Fabrics to Use
	SC4500 Vertical rolling Screen	White, Desert Ivory, Mocha Brown, Bronze Grey, Black Taupe, Forest Green	Up to 20' Wide Depending on height and fabric	Up to 16' High Depending on width And fabric	Residential Commercial Windows, Porches	Ferrari 502 Soltis 86, Phifer Tuff screen, Recscreen 5000P Para, Sunbrella

OPERATION:

An exterior gear/crank set is standard on the SC4500 with an optional interior gear set. A convenient push-button motor is also available. When motorizing multiple units, we recommend using the RTS remote Altus motors. Use either a Telis1 or Telis 4 remote control. Multiple units can be wired together on the same connection. **Note:** CMO manual override motors are not available

TRACK: The SC4500 is available only with the zipper track with zipper insert. Add optional "U" channels when installing between columns (See separate instructions using U channels).

RECOMMENDED FABRICS: TUFFSCREEN by Phifer, 45% open. Use Tuff screen for mosquito / bug control and if view through the screen is important. Soltis 86 (14% open), and REC-SCREEN 5% open is best if Solar control is needed along with bug control. Other mesh fabrics also available, please inquire. If Acrylic fabric is needed, Para Tempotest is recommended. If vinyl fabric with windows are needed, then Ferrari 502 is used with the clear plastic window film (Max width is 16 ft. with Ferrari 502).

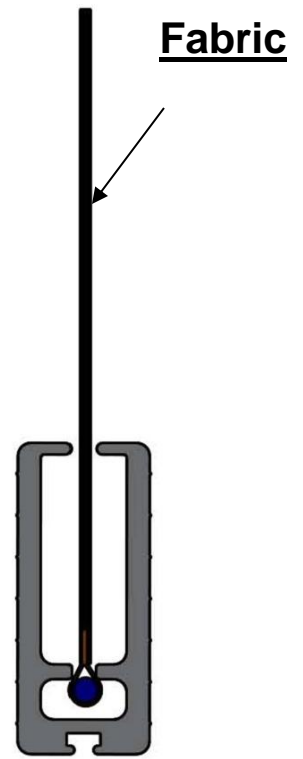
(See separate price categories for each mesh and fabric type).



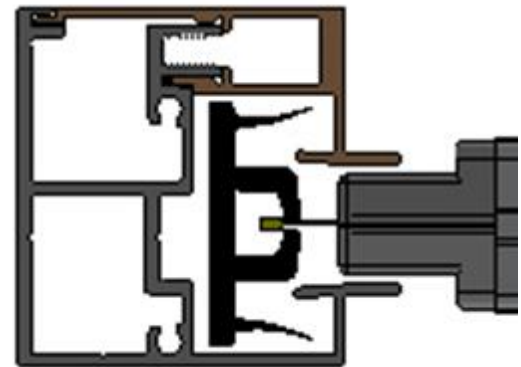
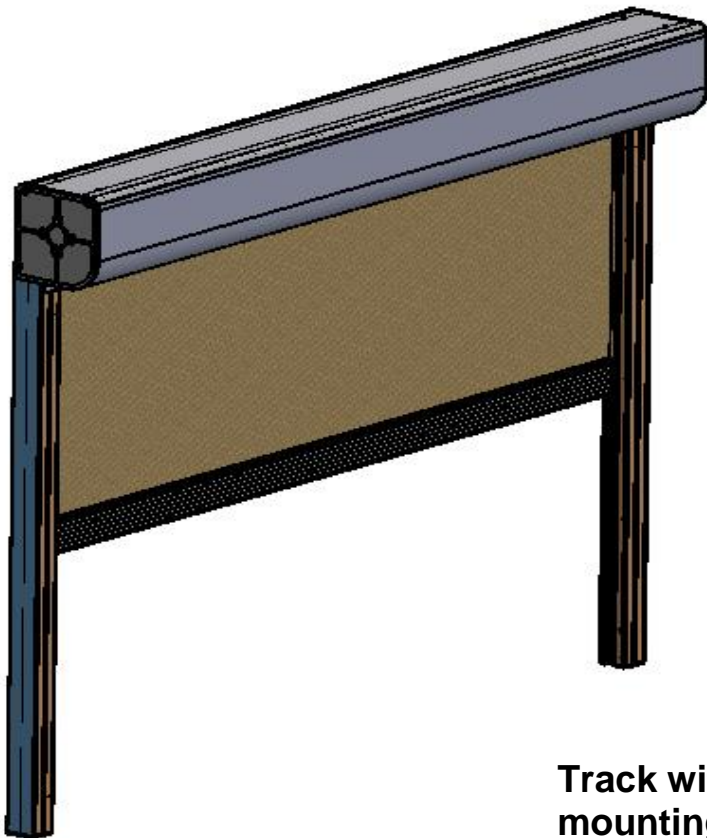
Hem bar: Front view
2" High
3/4" Wide front to back

Track

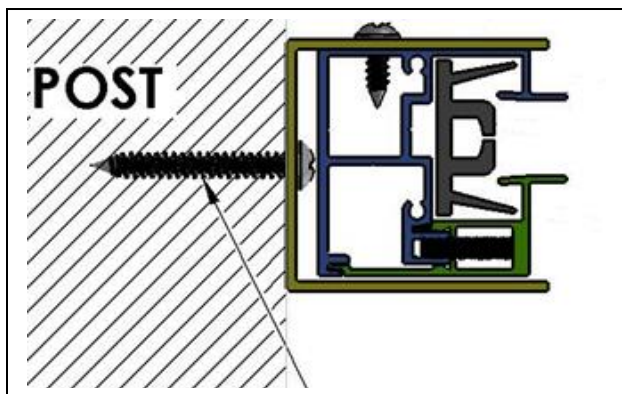
Hem bar: Front view



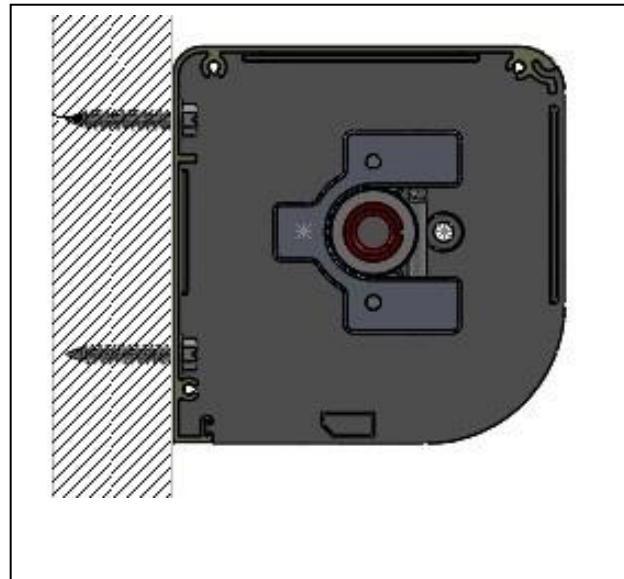
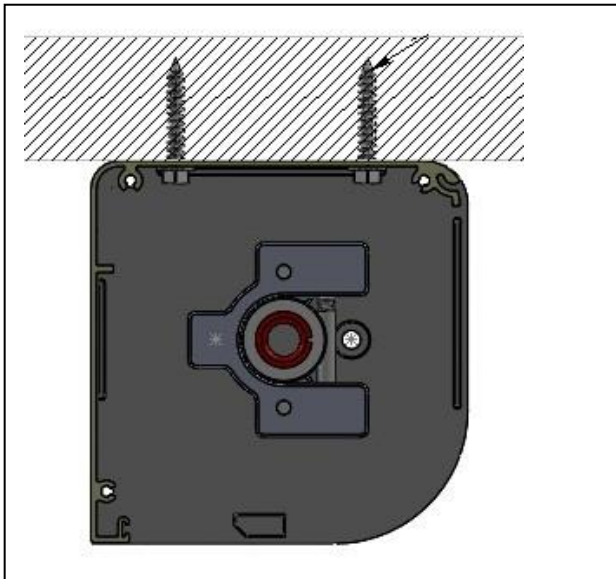
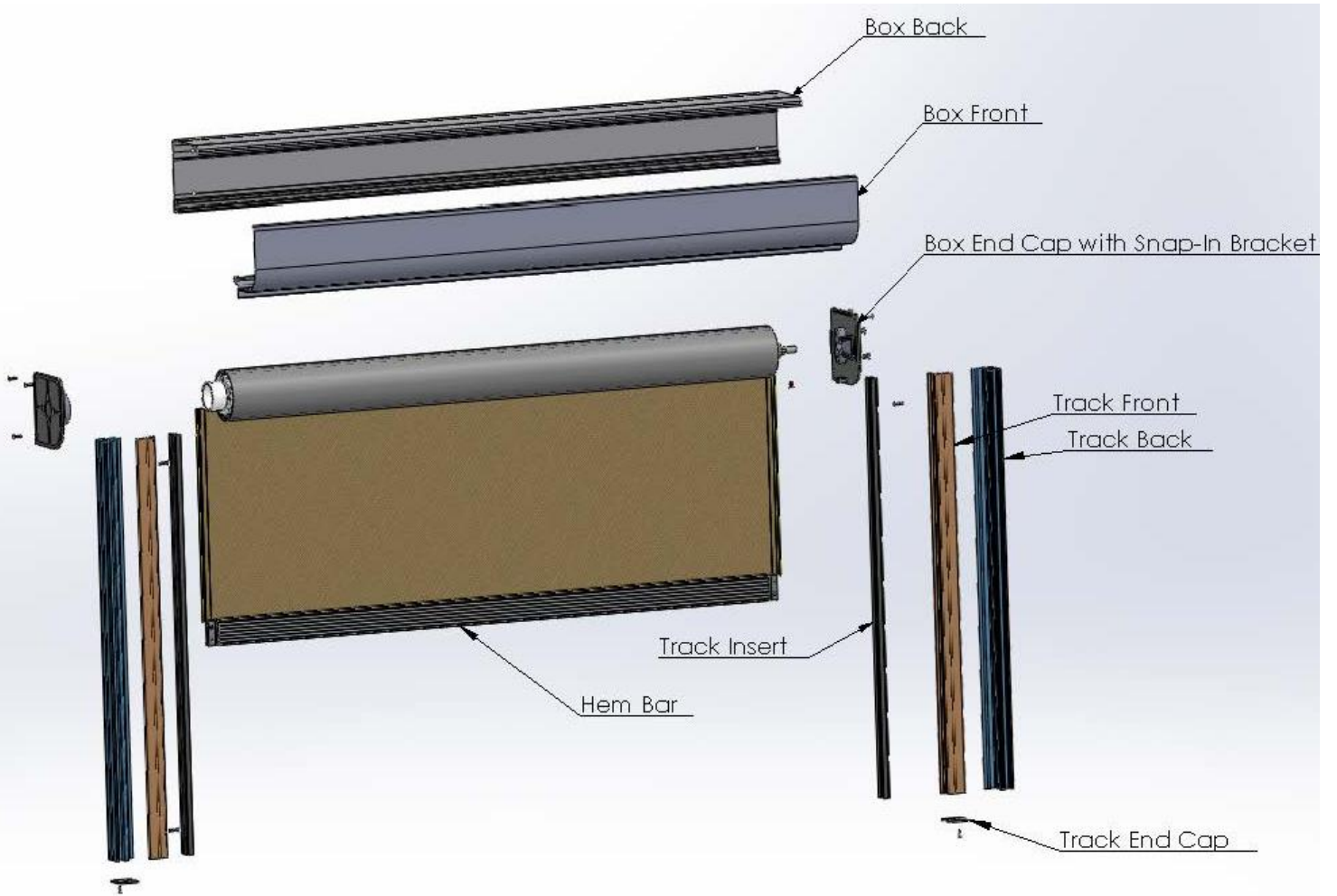
Hem bar: Side view



Standard track with zipper and track assembly.

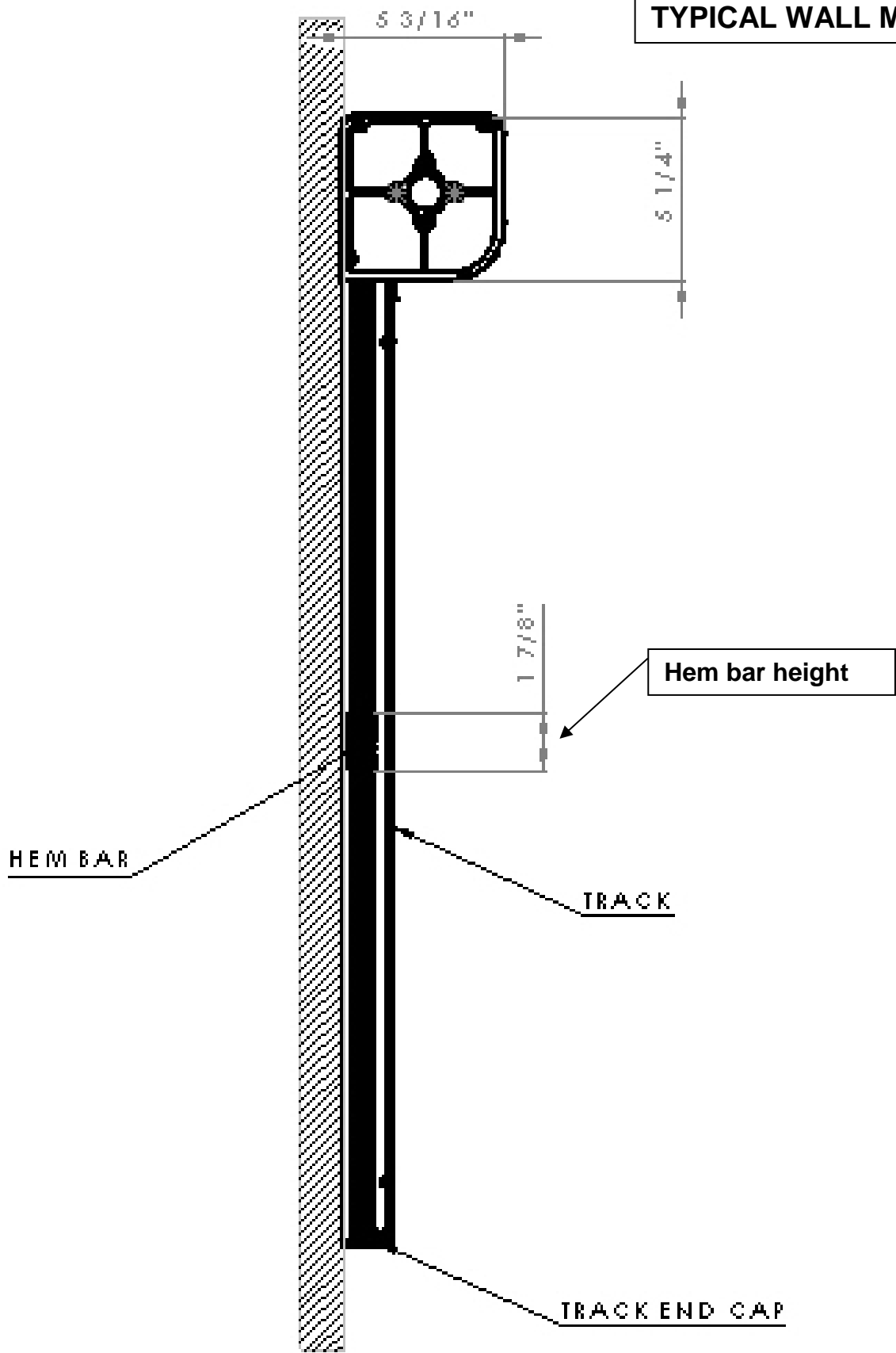


Track with optional "U" channel can be added if mounting between columns. The U channel is typically only used if either top opening or bottom opening between columns is more than the other. If not, you can probably mount the tracks right on the columns and caulk the smaller gap depending on your finished dimensions. If ordering "U channel" Sunair will make deductions on fabric and hem bar during production to accommodate U channel installation if ordered with your screen originally. Cassette width will remain the same.



Ceiling or wall mounting cassette possible

TYPICAL WALL MOUNT



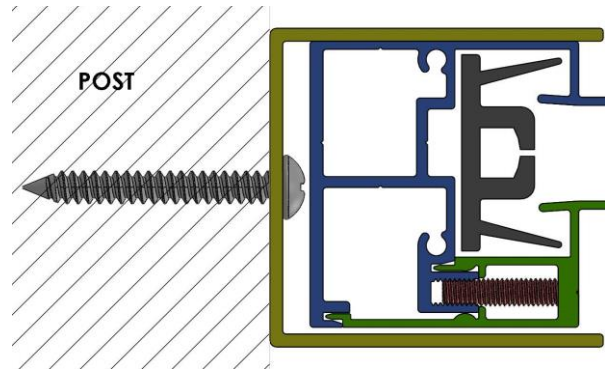
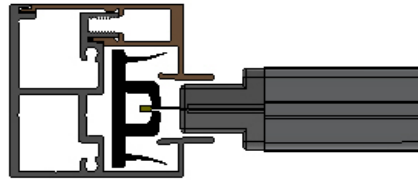
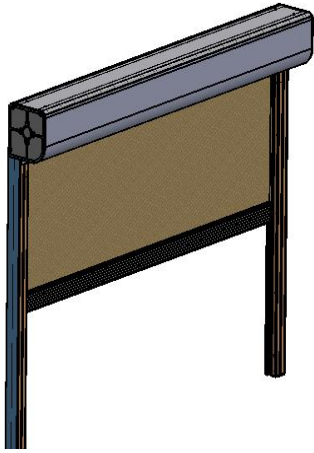
AWNINGS UNLIMITED INC.
P.O. Box 1068
7785 Rt. 175
Jessup, MD 20794

© 2017 Awnings Unlimited Inc.



Rev. 01/07/2017

SC4500 SCREEN WITH ZIPPER



SC4500 FEATURES:

SUNAIR® BENEFITS:

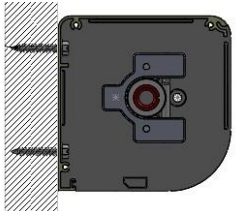
Easy to install and remove roller tube



The SC4500 uses our heavy duty SC3569M metal idler bracket. It is designed to withstand the torque of larger heavy shades.

The SC3569 metal idler bracket makes it easy to remove the roller tube and fabric assembly for ease of installation of the cassette

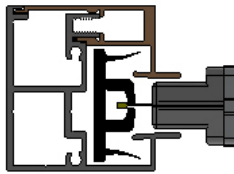
Install cassette without brackets



The SC4500 cassette installs right onto the wall or directly onto ceiling using smaller screws without the need for brackets

Eliminating brackets makes for faster installation and a cleaner look.

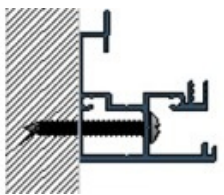
New internal PVC with winglets



The SC4500 “Zipper” insert PVC has soft “winglets” on each side of the zipper channel.

Vinyl winglets on the insert PVC provide tension while offering shock absorber function to fabric panels.

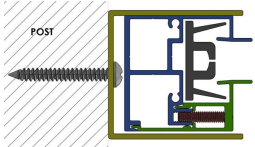
Easily installation of track to wall or side



The SC4500 track is easily attached to the back wall or side wall using small screws rather than track brackets (Back wall shown)

Eliminating track brackets makes for a faster installation and a cleaner look

U channel for uneven wall installation



The “U” channel can be added to the regular track.

This “U” channel makes it easier to install the tracks between uneven columns, or inserting into columns for new construction.

FOR MORE INFORMATION CALL YOUR SUNAIR REPRESENTATIVE:

800-548-0408

Jessup, MD

Phoenix, AZ

SC4500 ZIPPER SCREEN BOX 5"

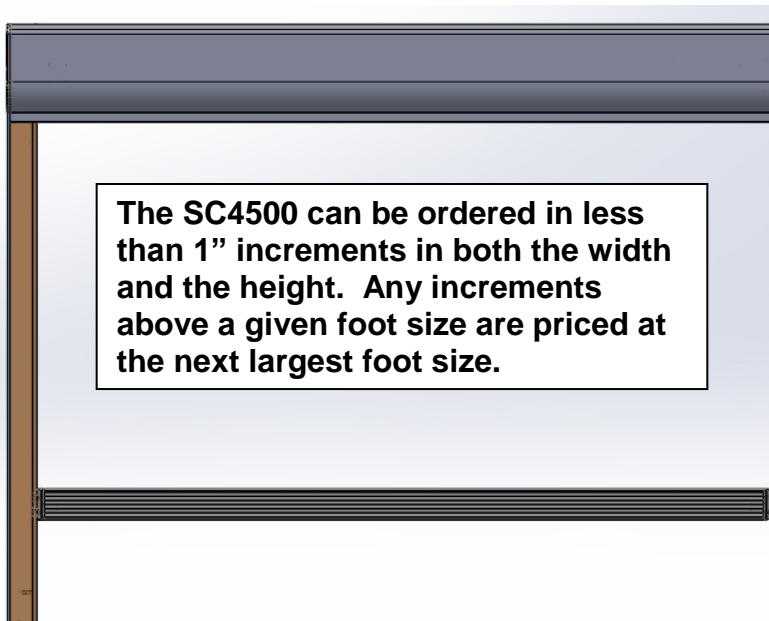
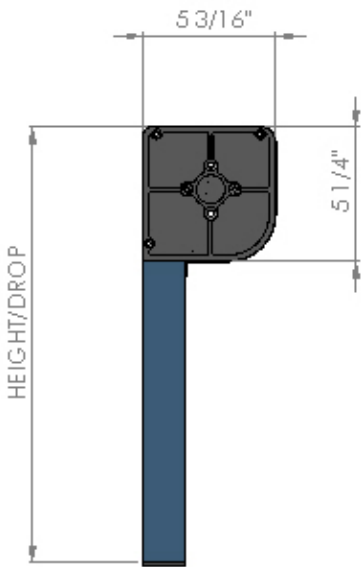
MEASURING

Width: Determine the desired width. The width of the screen is the measurement outside of track to outside of track, which is the same measurement as outside of cassette to outside of cassette end caps, as both are flush with each other. The track is 1 13/16" wide on each side (See Figure 1). The cassette mounts without using any brackets right on the wall or ceiling. If you mount the tracks on wood trim that protrudes out from the wall, the back of the cassette will have to be built out as well so that it becomes flush with the back of the tracks. The tracks also install right on the wall or post surface with screws (See sketch on next page).

CEILING MOUNTING BETWEEN PILLARS: Most zipper screens are mounted on open porches. If mounting under a patio, or ceiling mounting the height is not adjustable, and height is total height of opening. If mounting between pillars use the narrowest dimension and deduct 1/8" to 1/4". If there is a very little difference on the width from top to bottom, you may be able to choose the narrowest, and install the tracks right to the column and caulk. If distance is bigger, you should add U channels. If ordering the "U" Channels, and you order them with the screen Sunair will reduce the width of the fabric and hem bar by 3/4" to allow for the installation of the U channels with about 3/8" play on each side (see drawing below on next page). Sunair will not reduce the width of the cassette, only the width of fabric, zipper tracks, and hem bar.

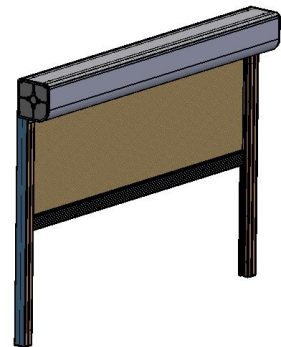
SURFACE MOUNTING:

WALL SURFACE MOUNTING: If mounting in front of a window opening, add at least 4" to the width of the opening or glass area to fit the screen. If surface mounting determine the height of the opening or window. The fabric or screen mesh should cover the height of the window. The height of the delivered screen includes the cassette height. To calculate the height of the shade if surface mounting to front wall consider adding the height of the cassette (5 1/4") plus 4" (2" at top and 2" at bottom) to the total height of opening to be covered (see below and left). This way, the hem bar is not seen while shade is retracted or extended. Also watch out for casement windows that will interfere with the hem bar when the shade is retracted (In such a case, mount the top of the cassette 7 1/2" - 8" above the opening window edge). In addition, add 2" at the bottom, so the lowered hem bar goes past the glass edge for a total of about 10 " to the height.

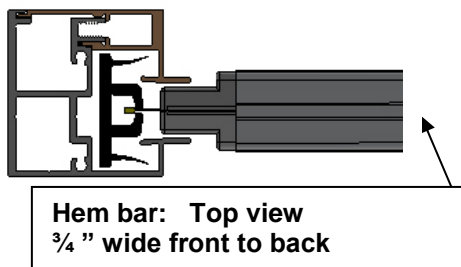


Height of cassette add 2" for hem bar above window top and bottom.

5 1/4"



Hem Bar is 2" high
Add 2" to Height of screen box as retracted when measuring, and 2" at bottom to clear the window.



Hem bar: Top view
3/4" wide front to back

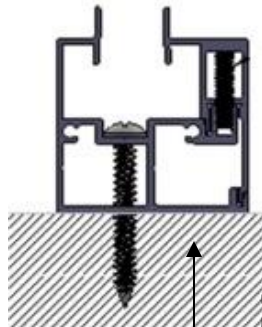
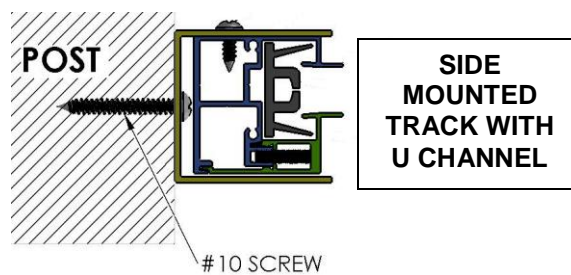


Figure 2:
SIDE MOUNTED
TRACK



SIDE
MOUNTED
TRACK WITH
U CHANNEL

If using the "U" Channels, Sunair will reduce the width of the fabric and hem bar (Not cassette) to allow for the installation of the U channels between pillars with about 3/4" – 1" (Allowing for 3/8" to 1/2" play on each side). This takes into consideration the screw and wall thickness of the actual U channel so screen can be installed. Unless deductions were made in production, U channels cannot be added later.

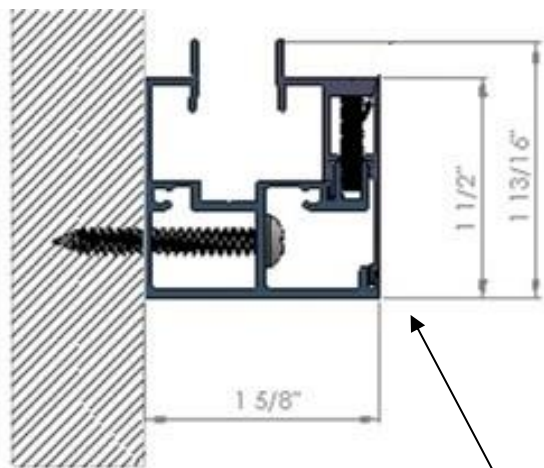


Figure 1: WALL MOUNTED TRACK

SIZES FOR SC4500 Zipper Screen

Max width 22 ft. (Depending on fabric)

Max drop 16 ft. (Depending on width)

Note: Max drop and width depends on width, height and fabric type (See pricelist).

GEAR OPERATION:

Operate the shade with a standard hand crank (8:1 ratio gear) from the outside with a traditional hand crank or inside using a universal bell housing and crank. Inside / rear operation is an upcharge.

MOTORIZED OPERATION:

The SC4500 is recommended to be used with the Altus RTS motor technology. The shade can then be operated with remote control Telis 1 and Telis 4 hand held remotes, or Decoflex.

Minimum widths motorized: Standard motor 26" , and with Altus motor 29"

Manual CMO override is not available.

Ceiling mount vs. wall mount of the cassette: You can easily wall mount or ceiling mount the cassette with small screws right through the box wall. The cassette fits flush with any flat surface. The actual roller tube and fabric is removed during installation to access the interior of the cassette for mounting.

Track mounting in rear vs. side:

It is easiest to wall mount the tracks rather than side mounting the tracks because you have to allow for an uneven opening from top to bottom of the screen. Therefore, if you are mounting the screen between two walls, it is recommended that you build a wood or metal border around to accept the cassette and tracks which also allows for adjustments. If you desire to mount the track to the side wall / pillar, make sure you order the screen using the narrowest "opening"



SUNAIR® AWNINGS & SCREENS
©2017 AWNINGS UNLIMITED INC.
P.O. Box 1068 7785 Rt. 175,
Jessup, MD 20794

JESSUP, MD 800 – 548 – 0408
PHOENIX, AZ 877 – 272 - 3920

Revised 01/07/17