

Model: Evo Pergola®

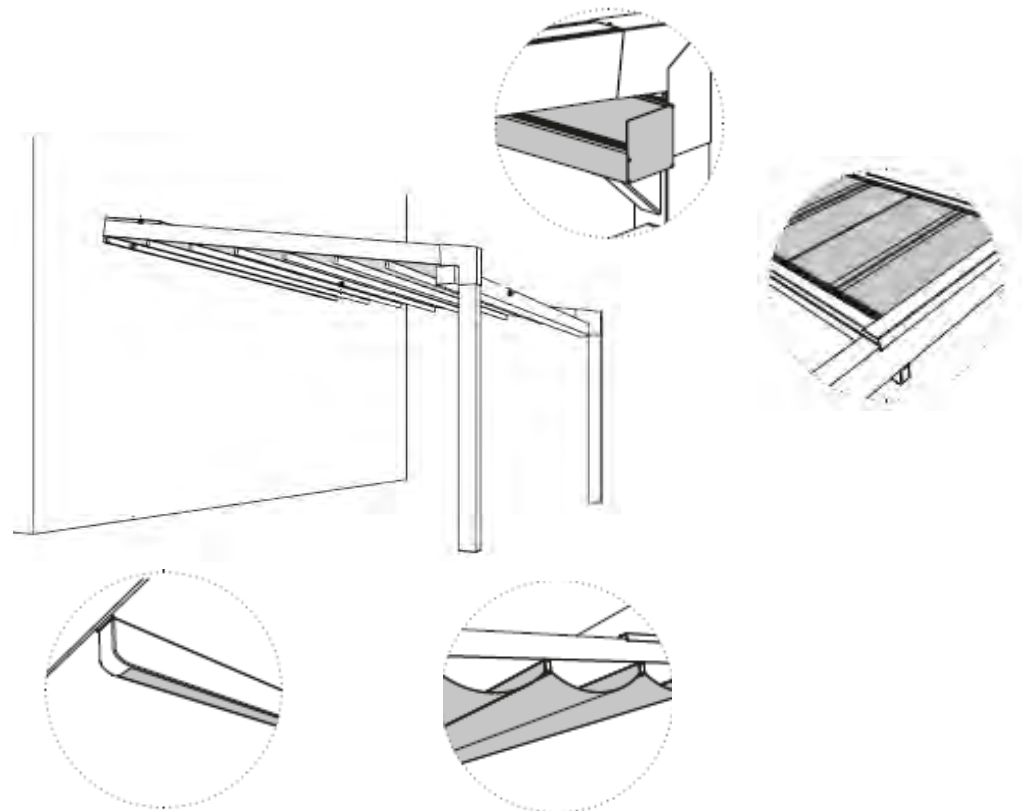
Revised 01/29/2019



Standard Frame Colors	Maximum Width	Maximum Projection	Options
8 Akzo Nobel colors plus optional custom RAL colors	5m / 16' 5" Type 1 9m / 29' 6" Type 2 13m/42' 7" Type 3	9.0 meters / 29' 6" proj.	Undercover, LEDS, Heaters, Hood, Side Screens

PRODUCT FEATURES:

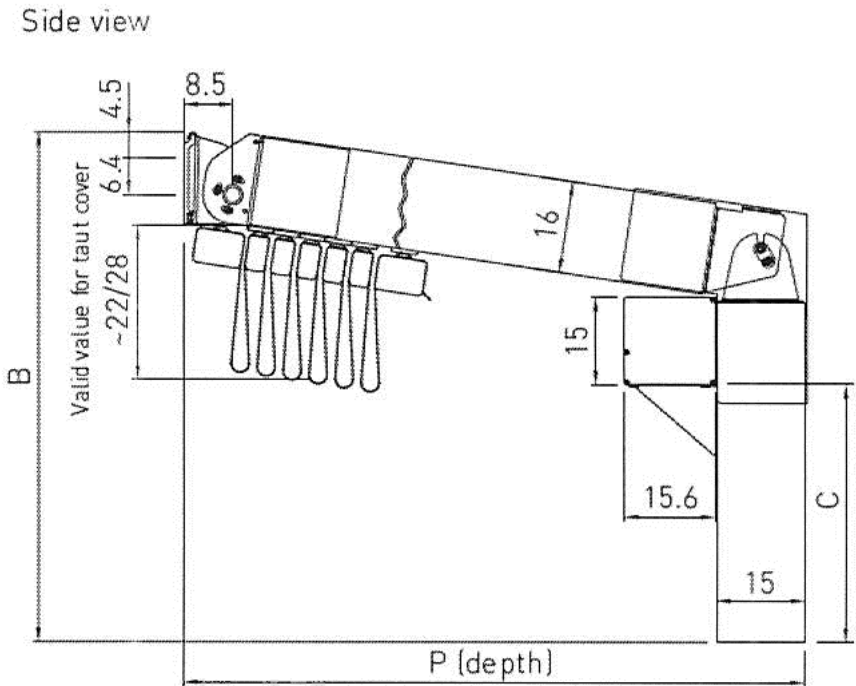
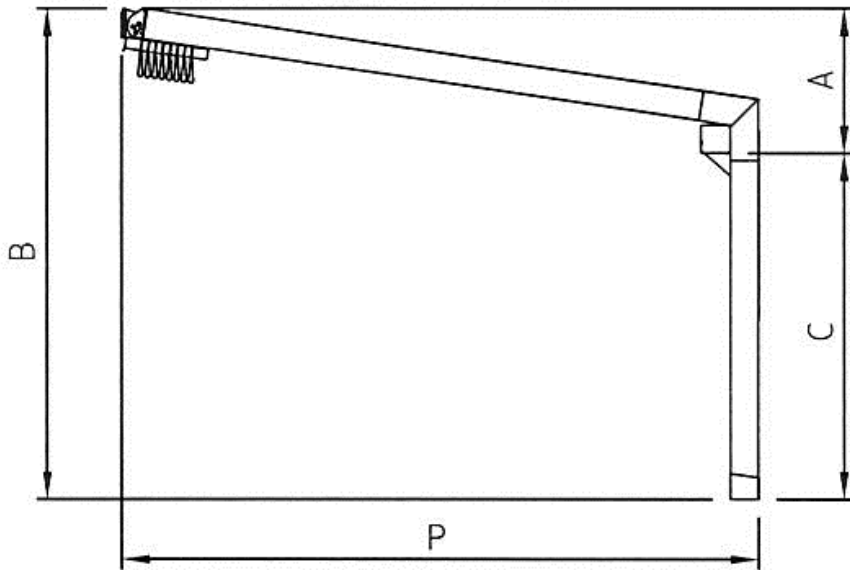
- Retractable fabric roof pergola.
- Standard wall mounted Pergola system suitable for medium to large sized patio areas.
- Modern design integrated front gutter for water drainage.
- Multiple units can be mounted side by side to create larger width.
- All aluminum frame powder coated.
- Manually operated smaller sizes.
- Motorized all sizes and required on larger sizes.
- Optional hood system available.



Evo: Installations



EVO Pergola® Technical information



Dimensions:

A = Height of Slope

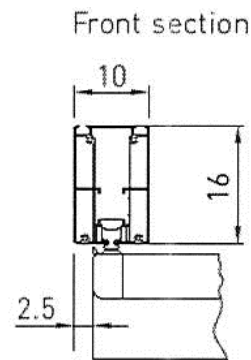
B = Height at top back

C = Post Height / Under gutter height

P = Actual Projection from wall

NOTE:

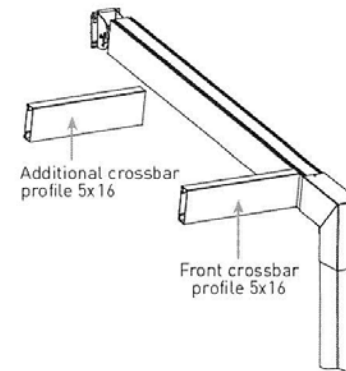
See minimum pitch diagram for proper water drainage



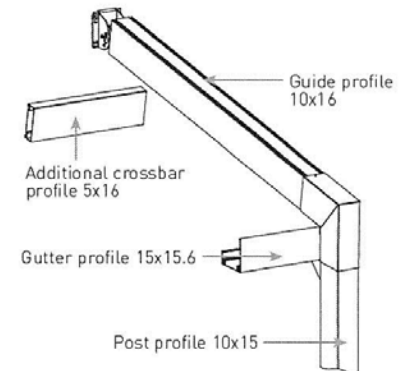
EVO DIMENSIONS AND TECHNICAL DETAILS

Measurements in cm

Version with crossbar front profile

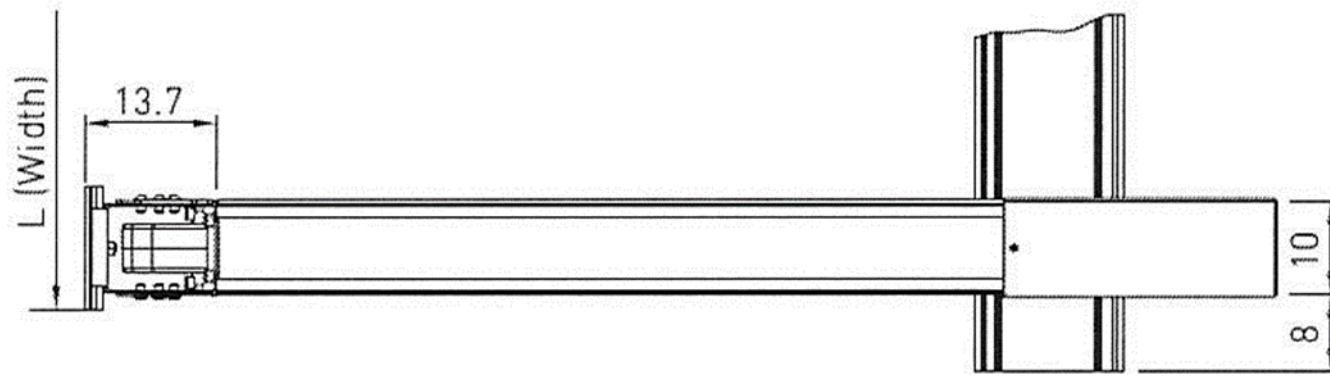


Version with gutter

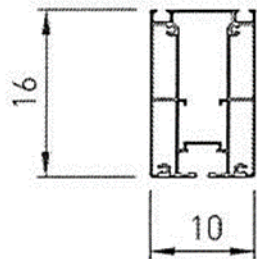


Note: Additional crossbar profile or gutter profile required.

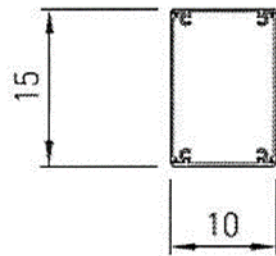
View from above



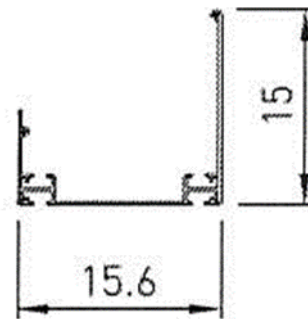
Guide profile
cod. 2860

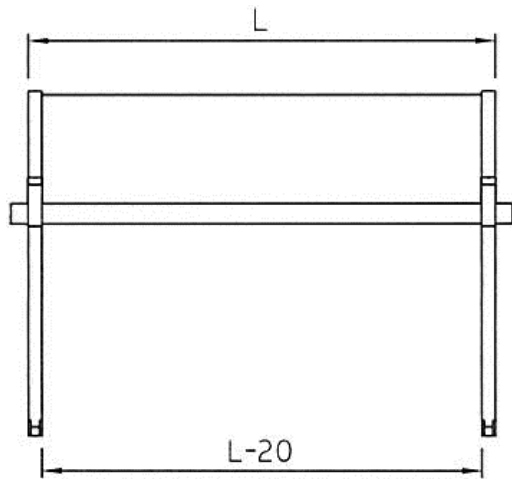


Post profile
cod. 2591



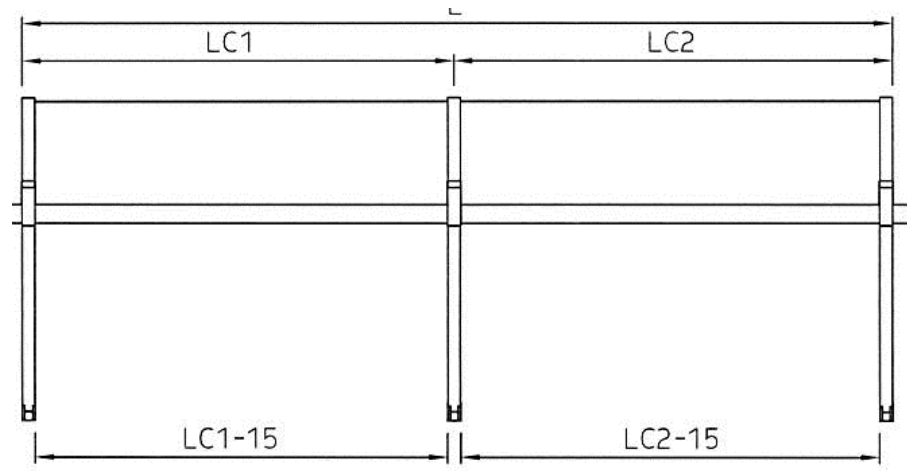
Gutter profile
cod. 2595





TYPE 1: Evo system

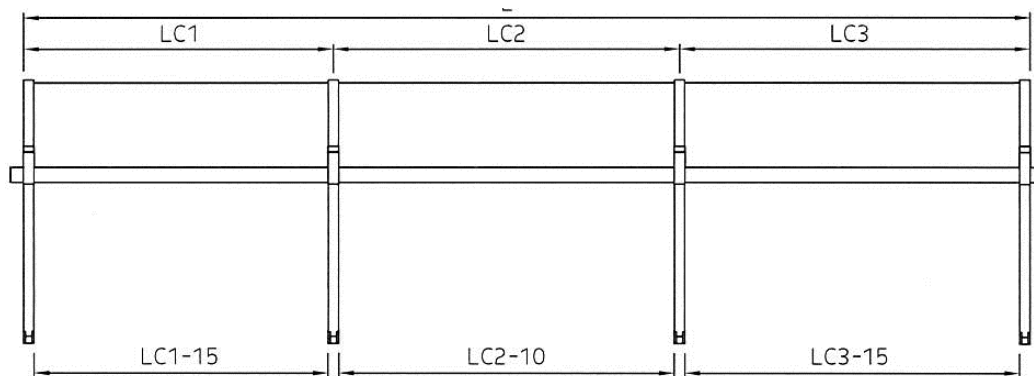
L = from 8' 2" to max 16' 5" wide



TYPE 2: Evo system

2 spans (L from 14' 8" to 29' 6" max total

L1 & L2 from 6' 6" to 14' 8" wide



TYPE 3: Evo system

3 spans (L from 27' 11" to 42' 7")

L1, L2 & L3 from 6' 6" to 14' 1" wide

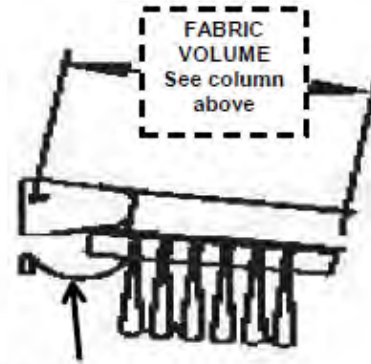
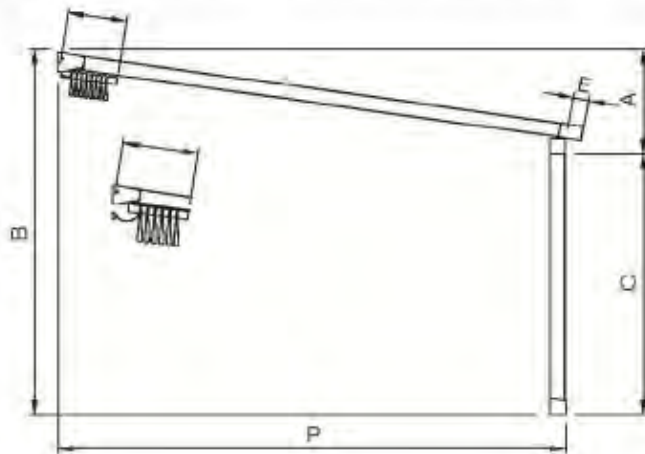
THE BELOW CHART REPRESENT THE IDEAL SLOPE ON THE "EVO" UNIT WITH TAUT FABRIC FOR PROPER WATER DRAINAGE

SEE OTHER OPTIONS FOR WATER DRAINAGE ON FLAT UNITS IN PRICELIST

EVO

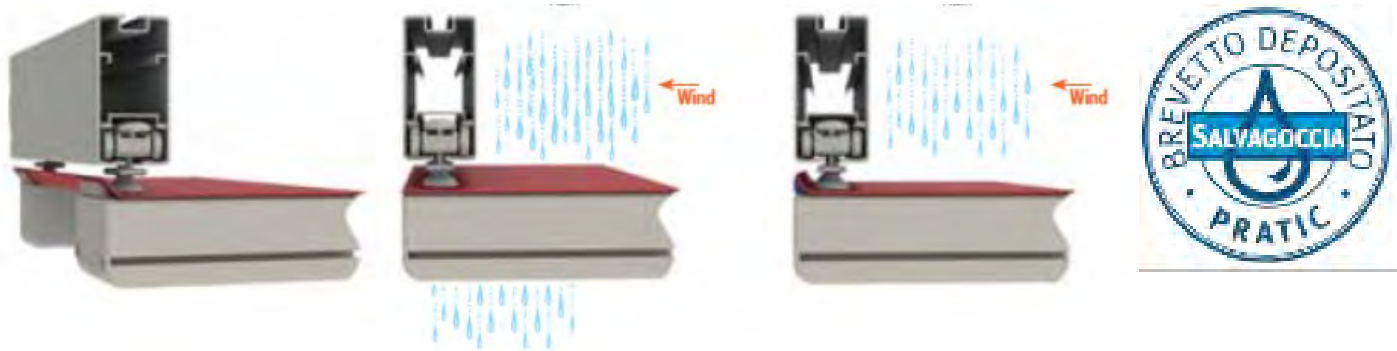
PROJECTION "P"	DROP "A" IN CM/INCHES												NUMBER OF FABRIC FOLDS	FAB. VOLUME RETRACTED/W POCKET CM	FAB. VOLUME RETRACTED/W POCKET INCES
	2.5M 8'-2"		3.0M 9'-10"		3.5M 11'-5"		4.0M 13'-1"		4.5M 14'-9"		5.0M 16'-5"				
	CM	INCHES	CM	INCHES	CM	INCHES	CM	INCHES	CM	INCHES	CM	INCHES			
2.0M (6'-6")	50	20	54	22	58	23	60	24	61	25	61	25	3	46	19
2.5M (8'-2")	55	22	60	24	65	26	68	27	69	28	69	28	4	50	20
3.0M (9'-10")	60	24	66	26	72	29	75	30	76	30	76	30	5	55	22
3.5M (11'-5")	65	26	72	28	78	31	81	32	83	33	84	34	6	60	24
4.0M (13'-1")	69	28	78	31	84	33	87	34	89	36	91	36	7	64	26
4.5M (14'-9")	74	30	84	33	90	35	93	36	95	39	99	39	8	69	28
5.0M (16'-5")	79	32	90	35	96	38	100	40	104	42	106	42	9	74	30
5.5M (18')	84	34	96	38	102	40	106	42	110	45	114	45	10	78	31
6.0M (19'-8")	88	35	102	40	108	42	112	44	116	48	121	48	11	83	33
6.5M (21'-4")	93	37	108	42	114	45	118	47	122	51	126	51	12	88	35
7.0M (22'-11")	98	39	114	45	120	47	124	49	128	54	132	54	13	93	37
7.5M (24'-7")	103	41	120	47	126	50	130	51	134	57	140	57	14	97	39
8.0M (26'-2")	107	43	126	49	132	52	136	53	140	60	146	60	15	102	41
8.5M (27'-11")	112	45	132	51	138	54	142	55	146	63	152	63	16	107	43
9.0M (29'-6")	117	47	138	53	144	56	148	57	152	66	158	66	17	112	45

THE RECOMMENDED HEIGHT "C" AT THE FRONT BAR IS 230CM OR 90.5"



FABRIC POCKET

PRATIC PERGOLA® FEATURES AND PATENTS



The patented drip catcher keeps water from flowing off the sides when the wind is pushing water sideways. Instead the water will flow off the front or into the gutter.



The patented click system allows for easy and safe installation of the fabric and fabric ribs to the frame carriages using an easy click and lock system.

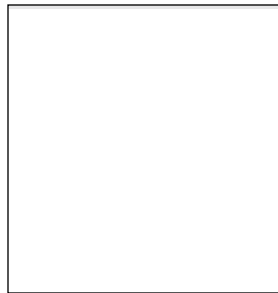
This patented safety box for the motor installs on the frame with an extra mounting profile. This feature keeps the fabric perfectly straight even in temperature variations. The device makes operating easy and quieter and also stops the motor from operating in case of excessive force. The box is ideally suited for Somfy RTS Altus motors with remote controls.



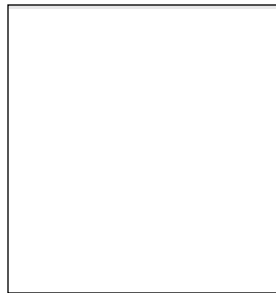
STANDARD FRAME COLORS FOR THESE PERGOLA MODELS:

*Nomo, Rialto, Opera, Vision, Phoenix, Zen,
Alutecnic, Stil, Evo, & Wood Plus (metal components)*

NOTE: Optional for OPERA & VISION is to have Structure and louvers in two different colors.



WHITE Gloss
Ral 9010



WHITE SAND
Coarse Ral 9016



IVORY SAND
Ral 1013 Coarse



IVORY / SEMI
Gloss Ral 1013



GREY SAND
Gloss Ral 9006



BRIGHT ALUM
Matt Ral 9006



CORTEN
Coarse



IRON GREY
Coarse

OPTIONAL



FULL RAL COLOR
RANGE / EXTRA
COST

8 Akzo Nobel Colors

AkzoNobel

NOTE: ACTUAL FRAME COLOR MAY VARY FROM DIGITAL IMAGES

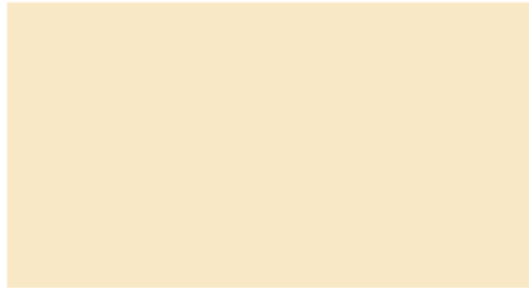


PERGOLA STANDARD FABRIC COLORS

602 FLEX LIGHT CLASSIC / OPAQUE COLORS

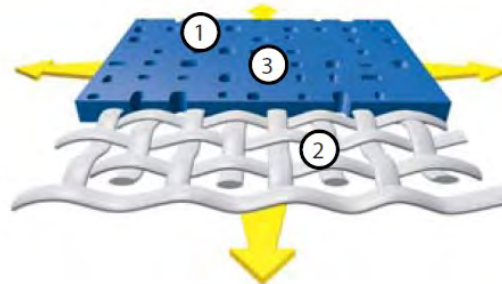


602N-8503 / 8103



602N-50020

The Preconstraint 602 fabric from Ferrari offers excellent dimensional stability with minimal stretching and exceptional dirt resistance thanks to a PVDF topcoat on both sides. The fabric is therefore perfect for use on retractable Pergola® roof awnings. The fabric is 22.1 oz/sq yard with a Glossy finish. The two standard opaque colors above are the most commonly used and is standard on all Pergola® awnings. The two above colors are opaque and do not allow light to go through the fabric. The 602 is also available standard in the 10 each translucent colors below allowing some light to go through. Fabrics are Fire Retardant and certificate is available.



Serge Ferrari

NON STANDARD PERGOLA FABRIC COLORS

502 PROOF SOLTIS / OPAQUE SATIN FINISH COLORS

The Preconstraint 502 fabric from Ferrari also offers excellent dimensional stability with minimal stretching and exceptional dirt resistance thanks to a PVDF topcoat on both sides. The fabric is therefore perfect for use on retractable Pergola® roof awnings. The fabric is 16.8 oz/sq. yard with a satin finish. Fabrics are fire retardant and certificate is available.



satin finish


Serge Ferrari

MOTORIZATION & AUTOMATION

ALTUS®



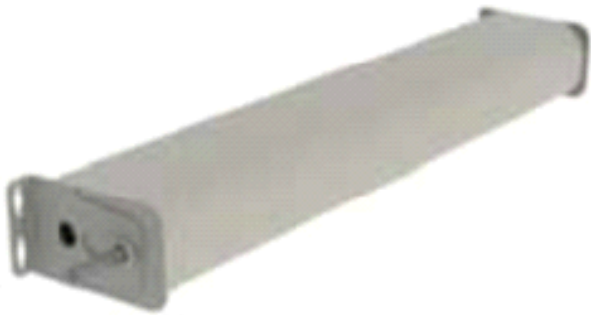
The Sunair PERGOLA® program features SOMFY RTS motor with an integrated radio receiver that allows you to operate the awning or screen by remote control with a wall mounted or hand held remote and by a smart phone device.

With a simple click of a button on your remote, the awning or shade will extend, retract , lower or raise automatically.



1 through 16 channel wall mounted and hand held remotes are available





OUR PERGOLA® MOTORS

Sunair uses Somfy motors and controls for their Pergola awnings in the following range

Altus 550 Series: Nomo, Rialto , Type 1 & 2 Pergolas

Altus 660 Series: Type 3 Pergolas

All Somfy Motors are UL and CSA Recognized

- All SOMFY motors are UL Recognized and can be found under the following file numbers:

E60495, E60888, E63714



	550	660
Torque	50 Nm	60 Nm (530 in. lbs.)
Nominal Voltage		120V / 60Hz
Rated Current	2.1A	2.5A
Speed	14 rpm	14 rpm

Type of power cable

RTS
120V AC / 60Hz
3 conductor cable



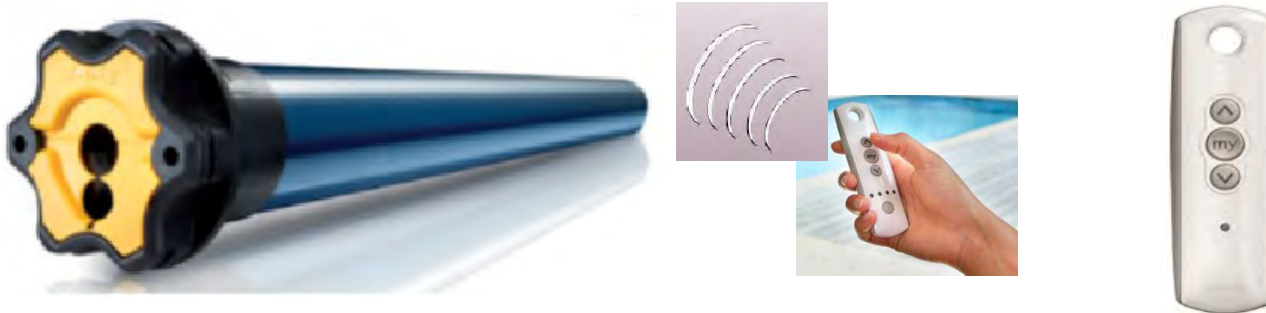
white = neutral
black = hot
green = ground



Radio Technology Somfy

Radio Technology Somfy® (RTS) allows wireless radio control of motorized applications via the RTS family of controls.

Screen motor for SC4500 zipper screens



SCREEN MOTORS:

The screens are available with the 525 altus SOMFY motor and also the 525 Maestria Obstacle detection motor. These motors are tubular 110 volt motors and are integrated into the Raso roller tube like a normal screen motor. Electrical wiring for the Raso screens is integrated within the gutter system and posts and all electrical connections are pre-wired within the Pergola system to one central connection point for all the electrical options and motors. The Maestria obstacle detection motor prevents fabric damage resulting from screen bunching and slipping from the guides. The motor senses and distinguishes between an actual obstacle and wind, even wind gusts, so it doesn't stop unnecessarily, resulting in fewer service calls and end user peace of mind.

Type of cable

RTS
120 V / 60 Hz
3 conductor cable



Note: It is recommended to use a multi channel Telis 4 remote to operate multiple screens. The Screen motors use the same RTS motor as all Pergola models except the Louvered Pergola systems. The Louvered OPERA & VISION systems use a separate TELECO remote control to operate the Louvered 24 volt motor and LED's.

Performances

525A2

Torque	25 Nm
Nominal Voltage	
Rated Current	1.6A
Speed	20 rpm
Thermal Protection	
Radio Frequency	433.42 MHz



SOLIRIS RTS 24V KIT
Sun & Wind Sensor

The Soliris RTS Sun and Wind Sensor automatically controls your RTS motorized products based on current weather conditions.



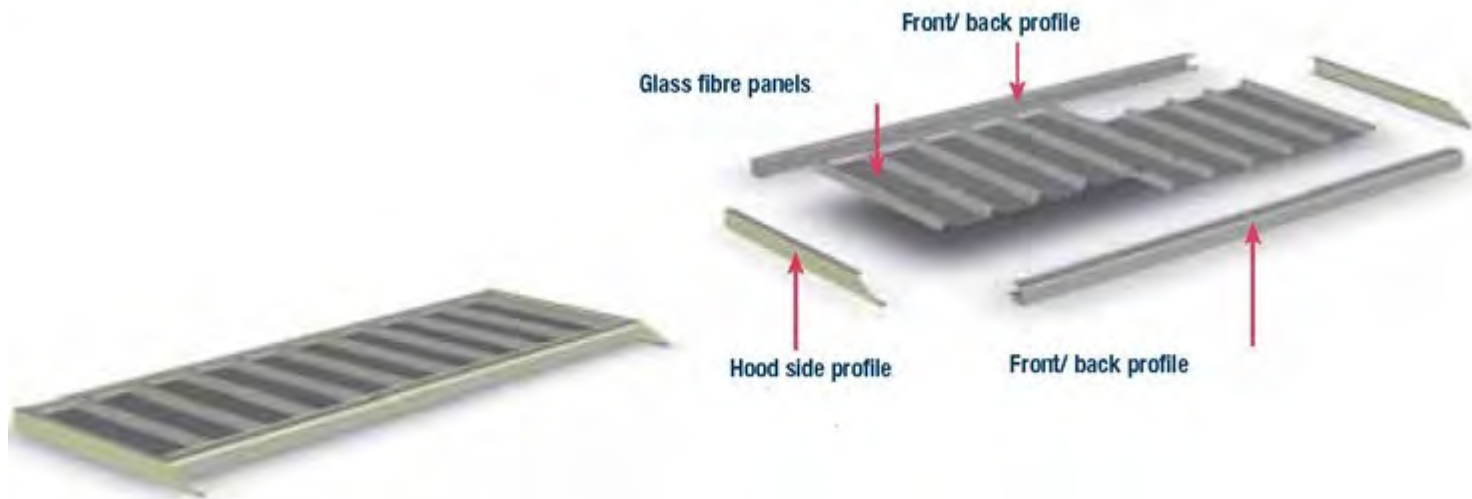
ONDEIS® WIREFREE
Sun & Rain Sensor

The Rain Sensor is a solar-powered combined rain and sun sensor compatible with Radio Technology Somfy® motorized exterior products, including awnings and screens.

The Somfy myLink™ is a simple device that turns your smartphone or tablet into a sophisticated remote control for motorized products featuring Radio Technology Somfy®, allowing you to operate them whether you're home or not. Combine all the benefits of Somfy's RTS hand-held remotes and timers in a convenient app.



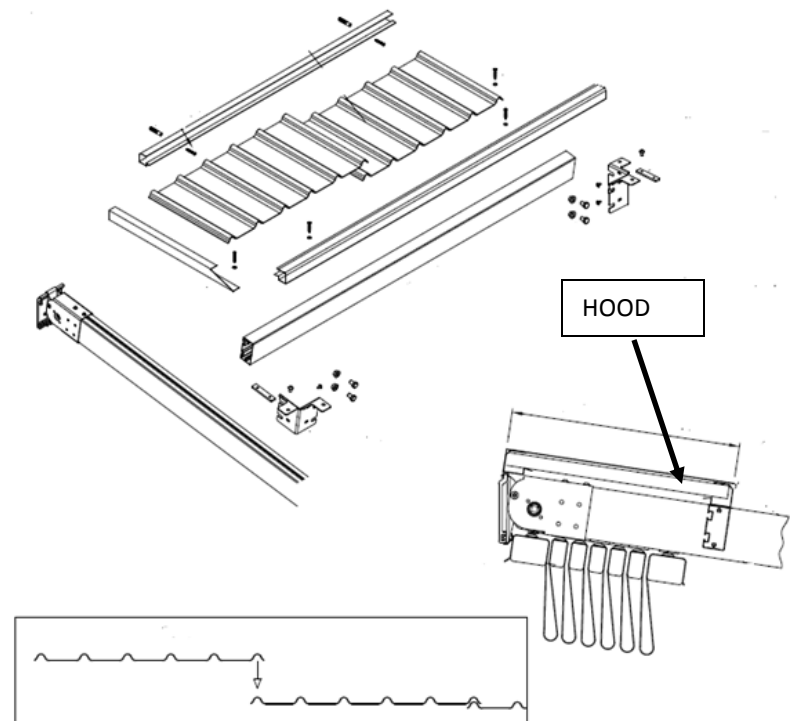
OTHER PERGOLA OPTIONS:



HOOD

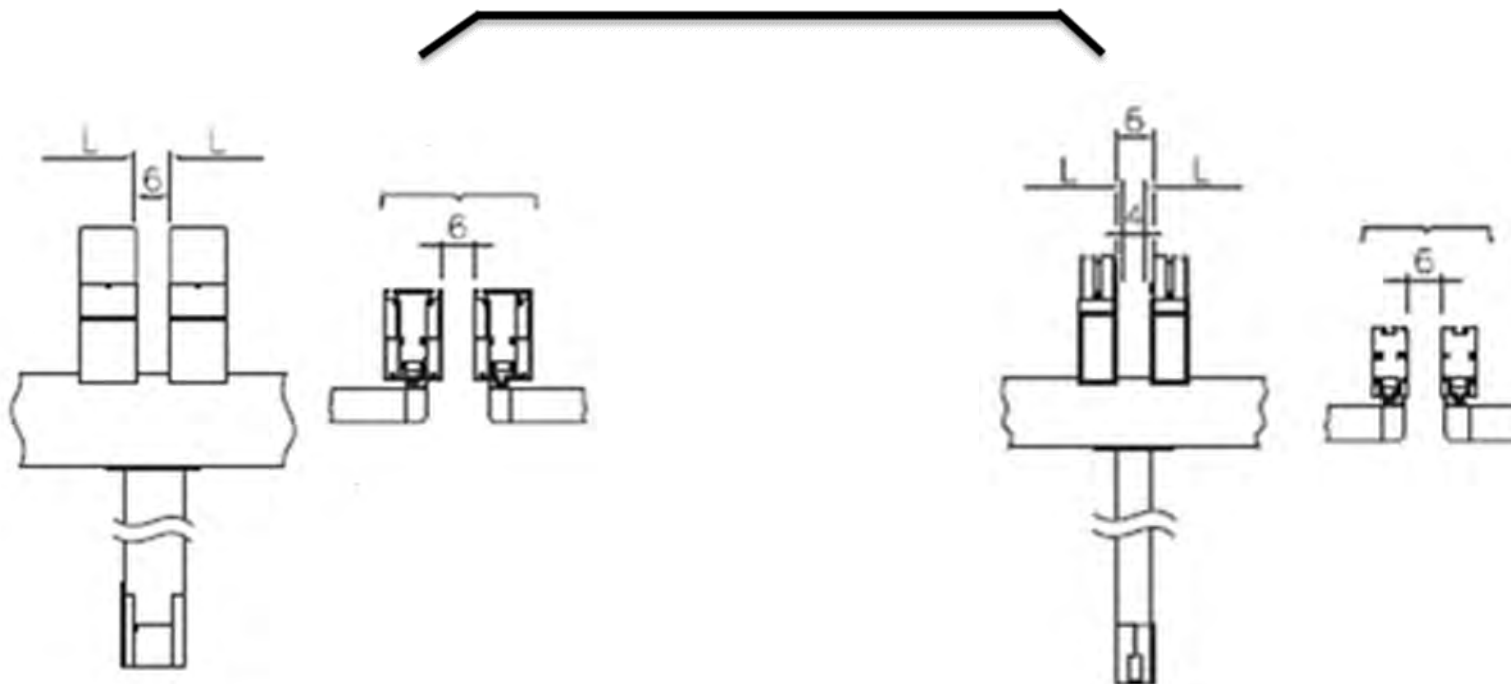
HOOD: Is available standard with fiberglass panels with a metal frame. The metal frame color typically matches the awning frame. Brown fiberglass panels are standard. White fiberglass panels are also available standard but subject to stock availability.

Optional: Aluminum painted metal panels / painted to match the pergola awning frame color and metal hood pieces.



NOTE: Above panels are not available for ZEN, NOMO, RIALTO, OPERA and VISION Pergolas.

CAP BETWEEN WALL MOUNTED SYSTEMS



MITO & TECNIC ONE

30.5 cm / 12" wide weather cap.

Deduct 6 cm between guide rails. ie a three (3) cm deduction off each unit at split in center.

LEVEL / TECNIC

25 cm / 10" wide weather cap.

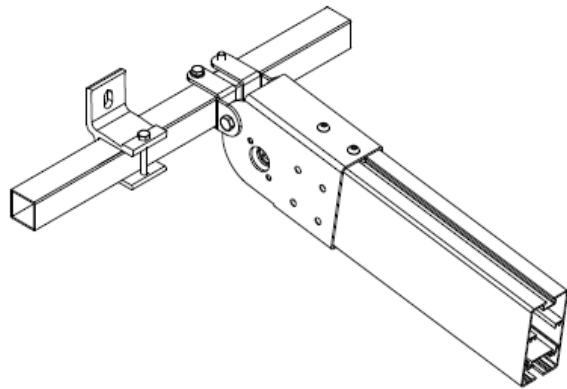
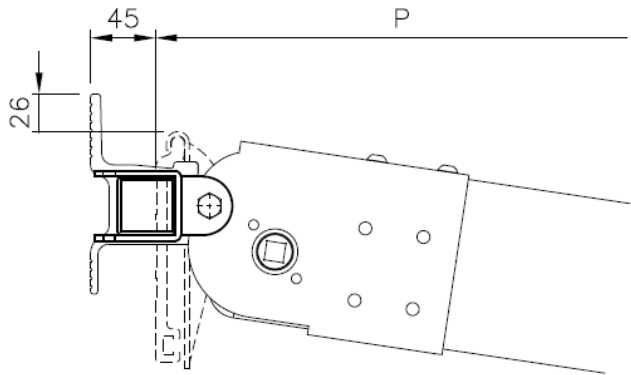
Deduct 6cm between guide rails / 4cm between L widths. ie a two (2) cm deduction off each units L dimension at split in center.

NOTE:

Caps available in 10ft / 3m sections.

Powder coated to match the Pergola frame color.

Calculate number of sections needed to cover the entire guide / projection to the gutter.



MOUNTING ON SUPPORT TUBE

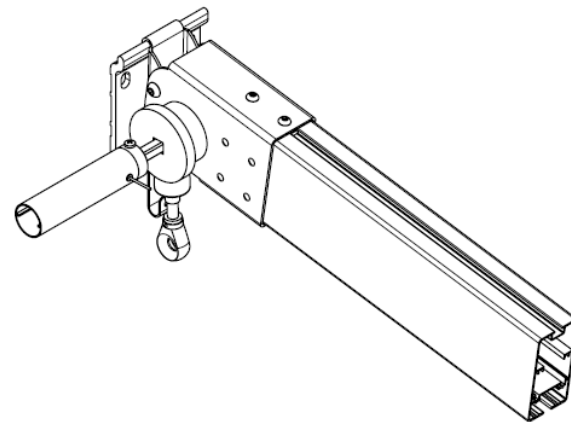
Wall mounting the Level awning is possible using standard wall brackets and the 40 mm x 40 mm support tube. This support tube is the same as is commonly used for lateral arm awnings, using the same bracket system. The wall brackets can be positioned along the support tube to align with the wood or steel studs in the wall. Please inquire about additional cost for this upgrade.

Note: This option is NOT available with very larger sized units. Please inquire with office.

MANUAL UNITS GEAR MECHANISM (Some models)

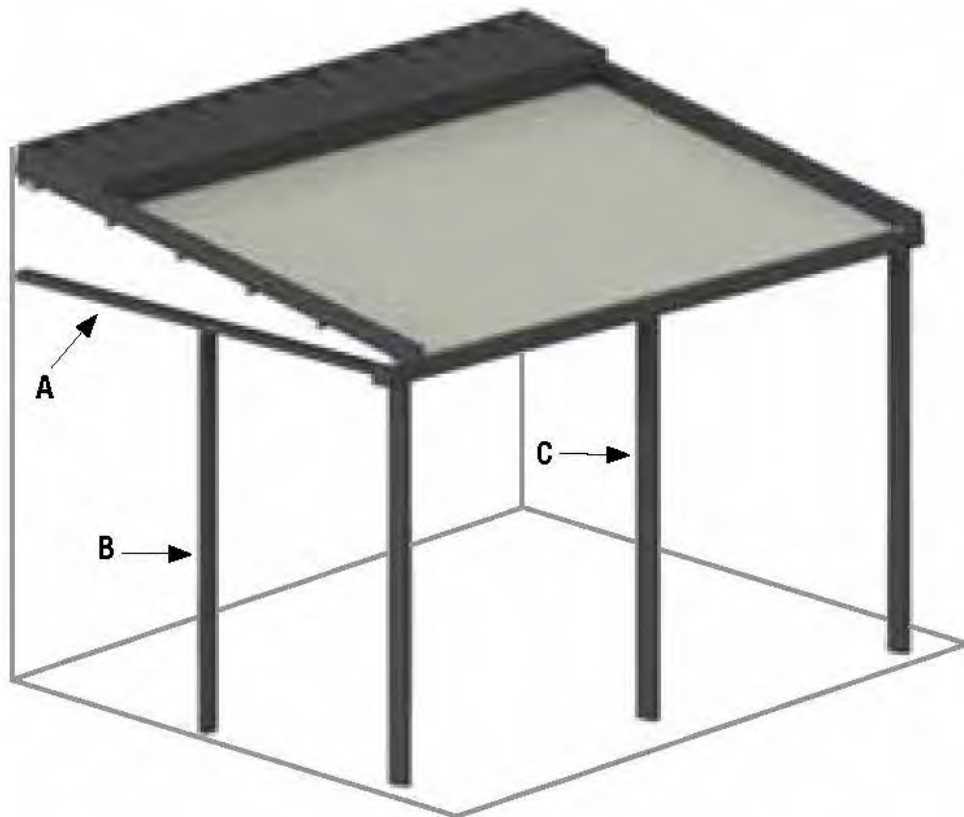
Only small TYPE 1 units may be manually operated up to a certain size (see below) Max size for any manual unit is 268 sq. ft. or 25 sq. mtr.

Note: Nomo, Rialto, Opera and Vision not available with manual operation.



SIDE STRUCTURES & POSTS

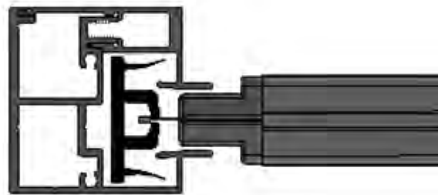
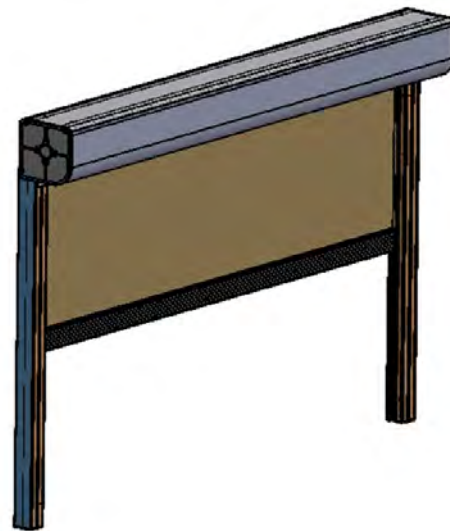
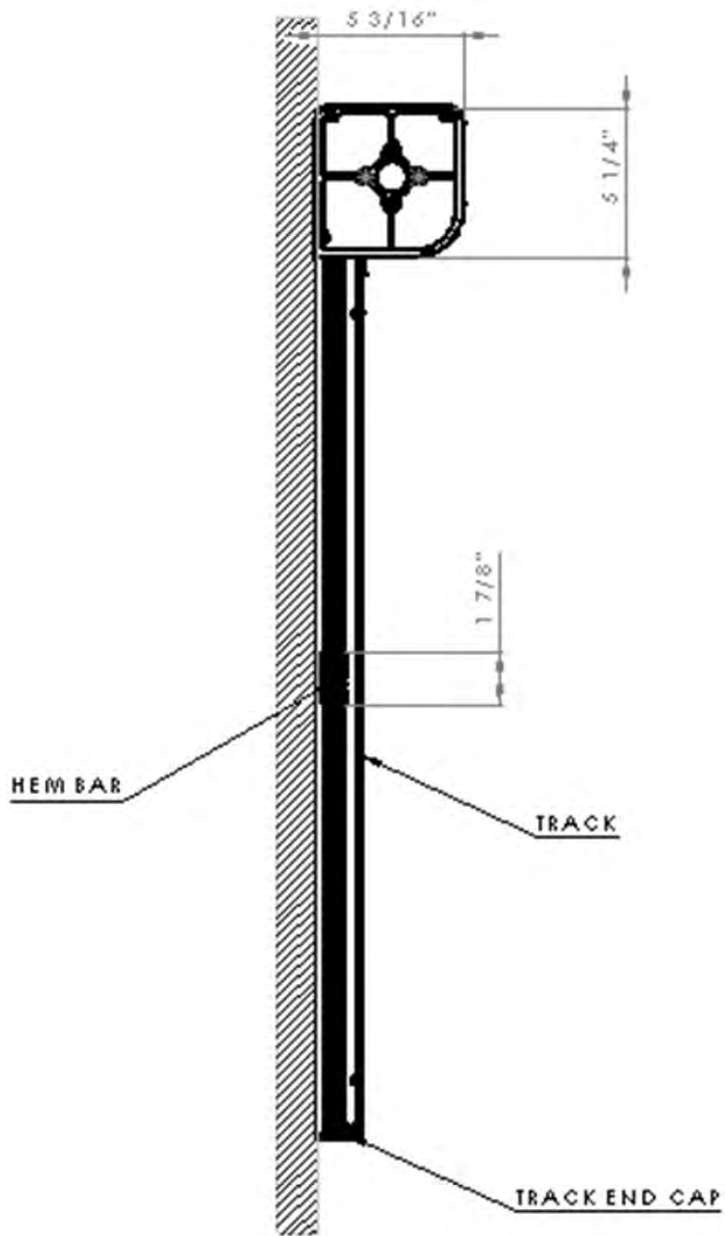
Add vertical and horizontal support beams and posts when adding rolling screens and side panels.



POSTS B & C: Additional side and front posts

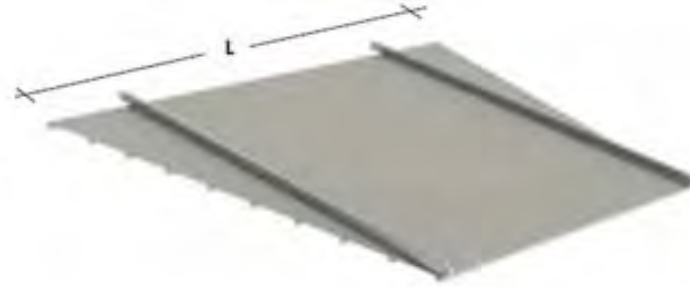
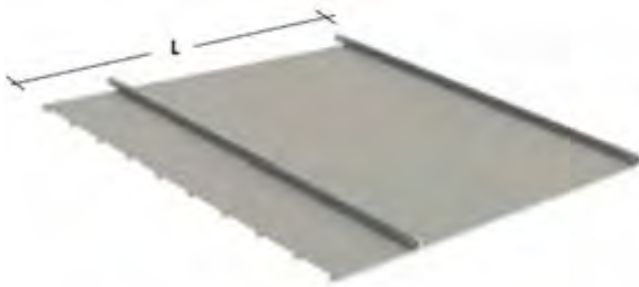
POST A: Horizontal bar used to install screens and fabric end cover.

SIDE SCREEN SC4500 ZIPPER SCREENS



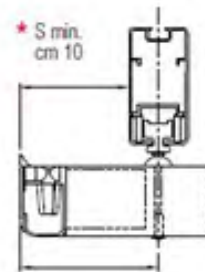
For further information please see the awning and screen manual and SV4500 Zipper screen technical manual.

Specialty shaped covers (Other Options)



***Triangular side**

Not available with drop catcher carriages



- **Recessed guides & Fabric rib overhangs**

***With Tie rods max projection is 5m or 16' 5" projection. Must be bolted to structural wall**



***Rib alignment in case two systems mounted next to each other with different projections**

*** Note: Engineering and availability may change without notice**

Optional: Structures to mount free standing

IF YOU WANT TO TAKE A TYPICAL “WALL MOUNTED” PERGOLA STRUCTURE AND MAKE IT FREE STANDING THERE ARE TWO OPTIONS BELOW. HOWEVER IT IS BEST TO USE THE NOMO, RIALTO, PHOENIX AND ZEN, WHICH ARE FREE STANDING MODELS WE OFFER.

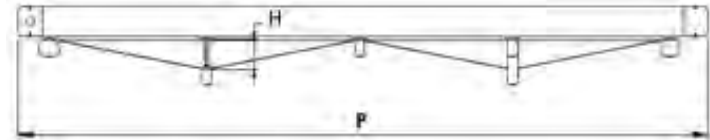


“V” Cover water Drainage to Sides

FABRIC WATER DRAINAGE OPTIONS “D” “V” Alternating



OPTION D

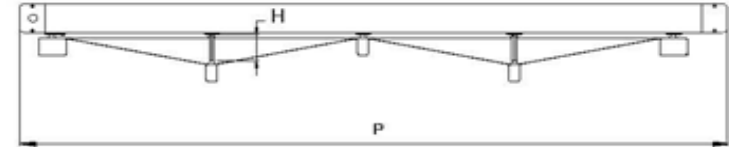


OPTION D: “V” Cut alternating panels for Type 1 Pergola® only. Max width is 5 meters x 9 m projection

FABRIC WATER DRAINAGE OPTIONS “E” “V” Cut Side



OPTION E

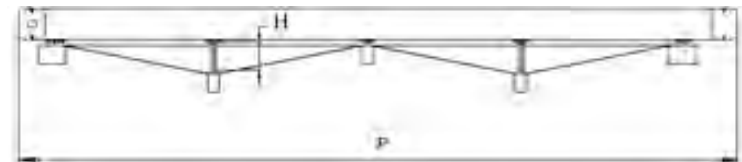


OPTION D: “V” Cut to one side only. For Type 1 Pergola® only. Max width 5 meter x 9 m projection.

FABRIC WATER DRAINAGE OPTIONS “F” “V” Cut Type 2

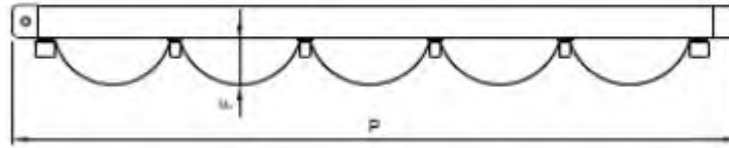


OPTION F



OPTION F: “V” Cut to both sides. For Type 2 Pergolas only. Max width 7 meters x 9 m projection

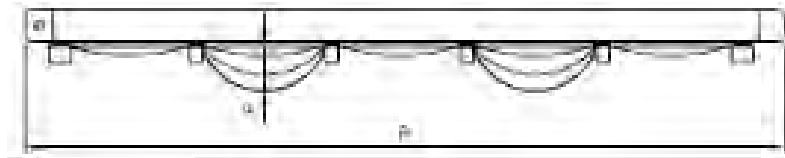
SLACK FABRIC "A" OPTION FOR SUN PROTECTION ONLY



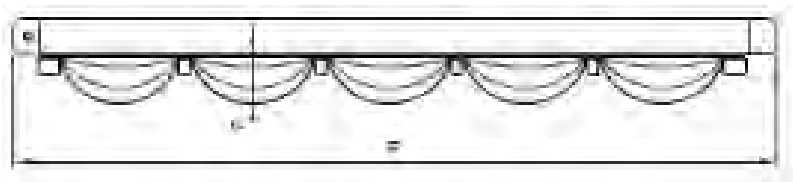
You can also choose slack fabric option "A" on each panel. This option is for sun protection only and will not offer any water drainage. Acrylic fabric is available with this option.

Loose Cover with water Drainage to Sides

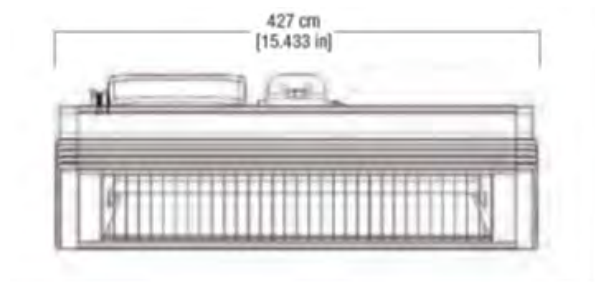
OPTION B & C



OPTION B: Alternating panel slack on both



OPTION C: Panels slack on one side only



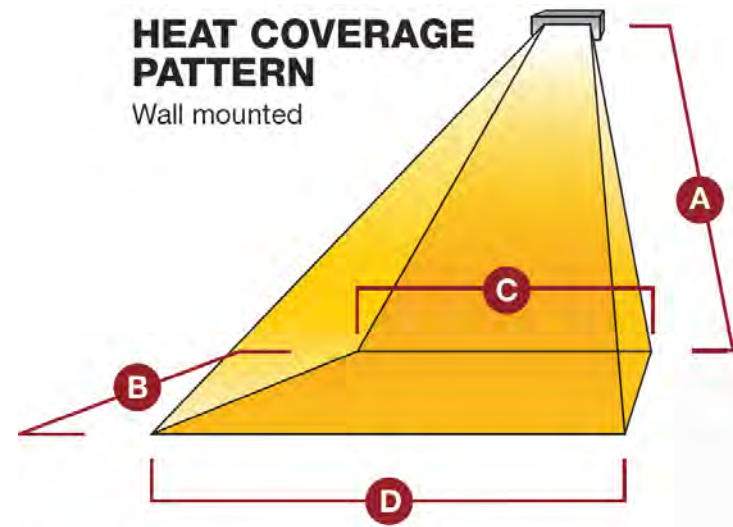
HEATERS: COSY 1500 AW Sleek, Low clearance, infrared heaters.

Sunair® awnings do not specify any particular brand of heaters but we do offer the Solaira brand as a convenience and as “supply” only. As supply only all warranty is per the Manufacturer (Solaira). Please see separate manufacturers installation, use, servicing and warranty documents. Mounting and wiring the heaters on the Pergola units is not included and will be the responsibility of the dealer / customer in the field during installation. Check your local codes for correct wiring instructions. All heaters should be installed by a certified electrician to local state electrical codes. See separate manufacturer’s data sheet and wiring instructions. If you purchase your own heaters, make sure that the heater brand and model you chose can be installed within the pergola unit to code. Aluminum Brackets to install the heaters on the awning are sold separately. Note: Sunair® awnings can only make suggestions but will not be responsible or warranty the performance and the effectiveness of the heaters. Check with the manufacturer of the heaters for the recommended number of heaters for your application and best installation position of the heater for best results.

Con’t next page

Solairia Heaters con't

Note: Specifier / Customer must contact Solairia for recommended heater number and position.



HEAT COVERAGE EXAMPLES

Model	A	B	C	D	Heat Zone*	Heat Density*
SCOSYXLAW15120 B/W	6'7"	9	8	11	90 sq. ft.	16 watt/sq. ft.
SCOSYXLAW15240 B/W	6'7"	9	8	11	90 sq. ft.	16 watt/sq. ft.
SCOSYXLAW20240 B/W	8'2"	9	8	11	90 sq. ft.	22 watt/sq. ft.
SCOSYXLAW-L15240 S	6'7"	9	8	11	90 sq. ft.	16 watt/sq. ft.
SCOSYXLAW-L20240 S	8'2"	9	8	11	90 sq. ft.	22 watt/sq. ft.

*Heat Zone and actual heat density will vary based on mounting height and angle of heater (Overhead mounted zones will be different than this guide). Please use this as a guideline only and contact Solairia for a more detailed specifier guide.

Con't next page

Solaria Heaters con't

240 VOLT: 1.5Kw 208 - 240 V

Heater Model Black # SCOSYAW15240B Ral:9005

Heater Model White # SCOSYAW15240W Ral:9010

110 VOLT: 1.5Kw 120V

Heater Model Black # SCOSYAW15120B Ral: 9005

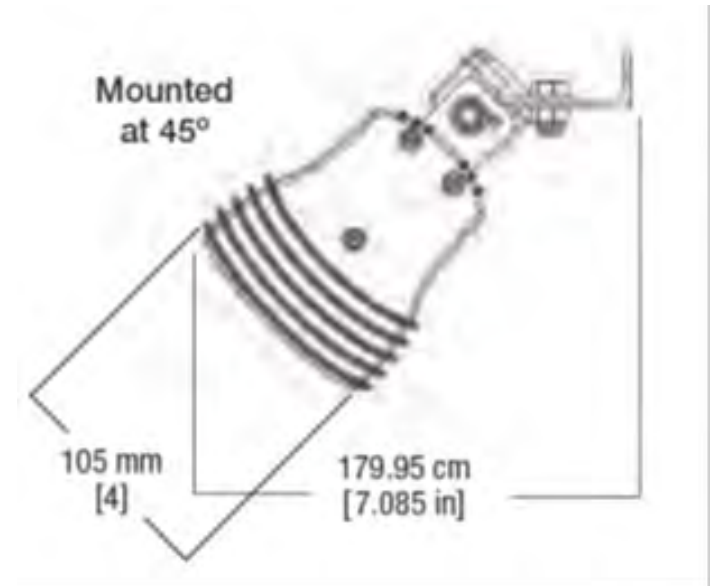
Heater Model White # SCOSYAW15120W Ral:9010

ADD CONTROLLER AND ENCLOSURE BELOW TO

BOTH HEATER MODELS ABOVE:

Controller #SHP18280SOL

Enclosure #SHP80ENCLOSE



NOTE:

Maximum 6 ea. 110 volt heaters can be used per controller and box.

Maximum 12 ea. 240 volt heaters can be used per controller and box.

STARLED “Classic” 130 cm / 51” White LED bars

For wall mounted Pergola awnings only (Not for Nomo, Rialto, Opera or Vision).



StarLed is the high efficiency led light that allows you to create an intimate, picturesque and bright room under the pergolas

- ✓ Led bar length 130 cm. 140 Led per m., 24 V, PW 14 W
- ✓ Opaline polycarbonate tube 15x15mm
- ✓ Closing caps
- ✓ Installation with screws and adhesive tape 3M
- ✓ Light colour @3000°K
- ✓ Light emission: @1050 lumen
- ✓ High efficiency, warm light Led. Lumen - power ratio is very high, about @110lm/W
- ✓ On request with radio control.

Recommended # of lights: There is no fixed rule how many lights are recommended as it depends on how much light the customer needs. Typically three to four (3 to 4) lights is enough per section of each Pergola or per bay.

LED Soft / White Custom sized LED bars White

For wall mounted Pergola awnings

5MM ILUMA™ LIGHT STRIPS



The soft white LED lighting strips are available up to 40 ft long (Maximum allowable amount of linear lighting per Somfy Lighting receiver). One Somfy lighting receiver #1811486 is needed per 40 ft. of linear LED lighting. Typically two to four (2 - 4) lighting bars are centered per each bay or section of Pergola. Multi Channel Telis remotes are needed for the LED lighting depending on how many lighting receivers are needed.



UNDERCOVERS WALL MOUNTED PERGOLA® AWNINGS



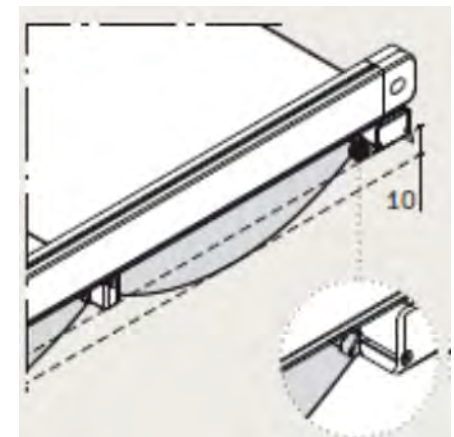
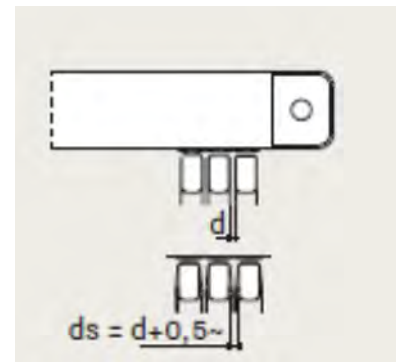
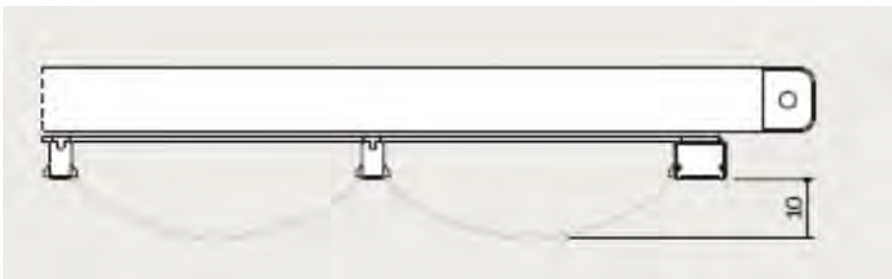
To create a nice atmospheres with wall Pergola® Awnings , it is possible to apply an "Undercover" installed under the ribs. Please note fabric will hang lower than top Vinyl cover. This undercover will be slightly narrower than the top cover by at least 4" / 10 cm per side to prevent water from going up along the PVC flap and wet the fabric of the under cover (Solid 60" fabric colors only).

AVAILABLE FABRICS:

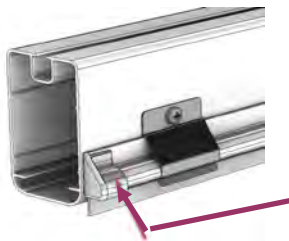
Standard: Sunbrella 60" solid colors.

Optional:

Fire retardant Sunbrella & Tempotest STAR 60" solid colors from range.

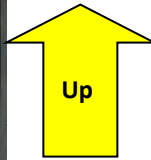


Please note rib spacing will increase 6mm / 5/16" between each fold in the fabric.

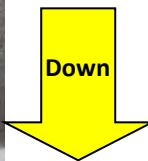


Note: Undercovers are installed with a "clip" system.

UP & DOWN Glass Walls Options



The Up & Down model is made up of two sections, one stationary and one mobile. A simple key is used to lock and release the module. To raise, release window with the key and the spring loaded module will slowly rise on its own.



The Up and Down model of our glass window dividers can be customized to match your color scheme or even display your logo! The base aluminum colors are White and Iron Grey colors. Virtually any color and design graphic motifs can be added to the glass to showcase your restaurant's unique style. Other models are also available.



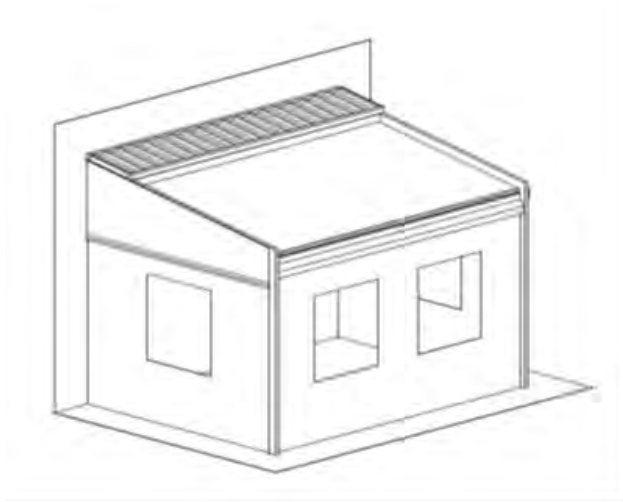
Installations



NOTES:

NOTES:

Note: Sunair® reserves the right to change engineering, specifications, and prices without notice. Images and Illustrations in the catalog may vary from digital and printed manuals. Sunair® is not responsible for printed inaccuracies in this manual.



SUNPROOFING AMERICA!



MARYLAND LOCATION

Mailing: P.O. Box 1068

Shipping: 7785 Rt. 175

Jessup, MD 20794

Toll Free 800 - 548 - 0408

Phone: 410 - 799 - 1145

Fax: 410 - 799 - 5584

ARIZONA LOCATION

Mailing: Same as Jessup

Shipping: 3807 West Thomas Rd.

Phoenix, AZ 85017

Toll Free 877 - 272 - 3920

Phone: 602 - 272 - 3920

Fax: 602 - 272 - 3925

www.sunairawnings.com

info@sunairawnings.com