




## PRODUCT FEATURES:

- Wall mounted Pergola® type
- Protects against sun, rain,
- Keeps deck and patio cool
- Covers small to larger patio areas
- Great for restaurant dining areas and large residential patios
- Wood uprights with integrated aluminum gutters
- Manually operated up to 268 sq. ft. size as a Type 1.
- Motorization required on larger sizes
- Motorized with safety box
- Optional wood hood system
- Drop down screens available.

Pergola® WOOD PLUS was developed for those that like wood, but still with the convenience of aluminum profiles. Now you can utilize your patio area during fierce mid-day sun and rain. This Pergola® system is great for Restaurant and residential patio areas. Larger widths can be covered by coupling multiple frame pillars together, while the fabric remains in one piece. Multiple units can be coupled with a gutter to cover larger spaces. Roll down screens with mesh or clear windows can be added for extra weather protection. This Pergola® is manufactured from high quality “Northern Pine” with wood only type units also available.

<b>MODEL: <u>WOOD PLUS</u></b>	<b>Standard Frame Colors</b>	<b>Standard Widths</b>	<b>Standard Projections</b>	<b>Recommend Application</b>	<b>Fabric</b>	<b>Options</b>
	Standard is Mahogany finish and <u>optional</u> natural Walnut, and Dark Green. <u>See metal colors</u>	Max 16' 5" with two posts and total 42' 7" wide 3 sections And 4 posts	Up to 22' 11" projection	Restaurants, Large Residential Patios	Ferrari Preconstraint 602  Optional: Ferrari 502 & 302, Soltis 86 & 92 available	Roll Screens Heaters Lights

### 1. General

The Pergola® WOOD PLUS terrace awning is designed for restaurants, cafes, and large residential terraces. The wood system is permanent sun-shading frame system with a retractable fabric. The system opens and closes by means of a manual gear or tubular motor. Multiple wood posts can be added together for wider widths with fabric in one piece. Maximum size available with 4 posts is 42' 7" wide x 22' 11" projection.

### 2. The fabric

Preconstraint 602 is a waterproof fabric PVC fire-resistant Class 2, heat-sealed to provide higher water-proof quality.

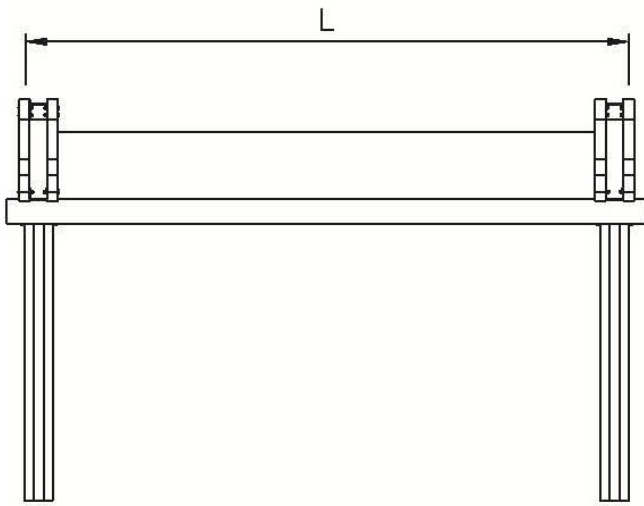
### 3. Motor

The Pergola® Wood Plus is operated by a Somfy ALTUS radio 110v tubular motor with a control box. Either an LT50 or LT60 motor is used depending on the size of the unit. Somfy electronic controls are available as an option.

**4. Manual** The manual version is available in “single span” Type 1 versions up to 268 sq. ft. size or 25 sq. meters. The gear is a fast 4.4:1 gear for efficiency.

Pergola® Model: WOOD PLUS



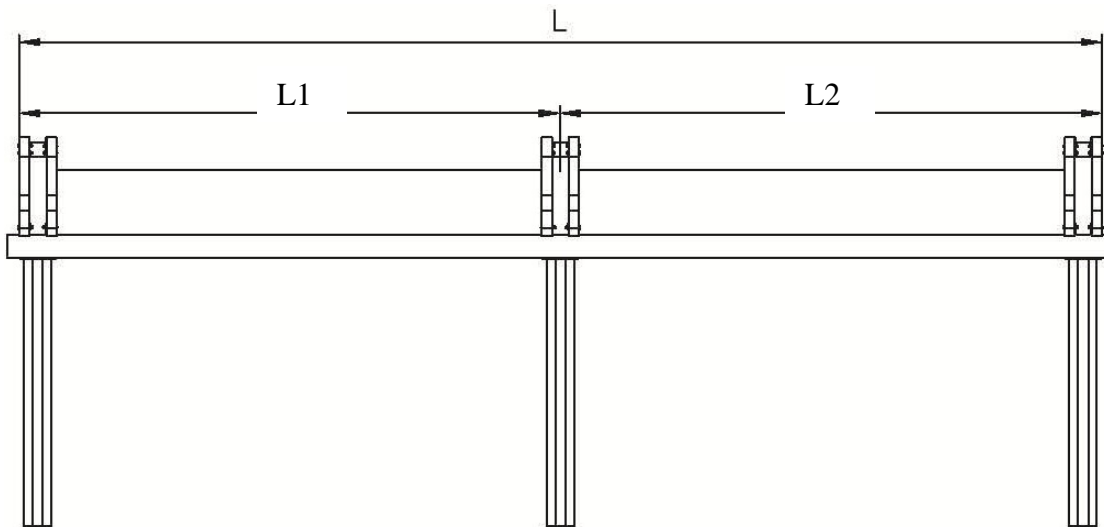


**TYPE 1: WOOD PLUS system**

**L = from 8' 1" to max 16' 5" wide**

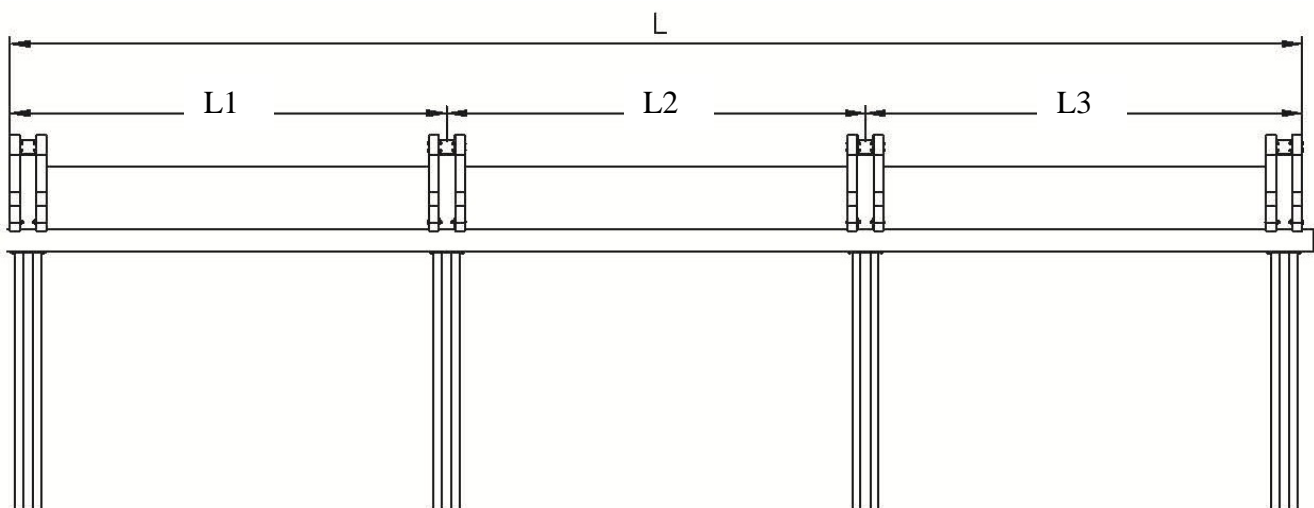
**TYPE 2: WOOD PLUS system**

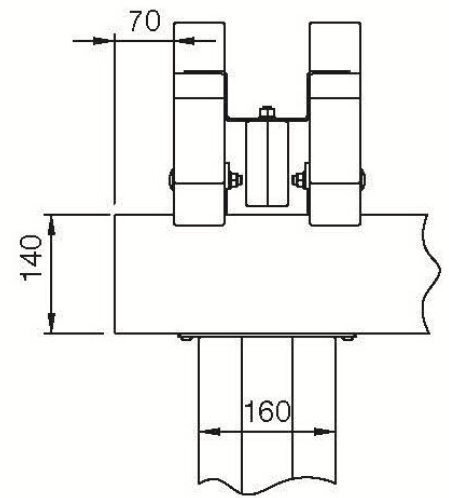
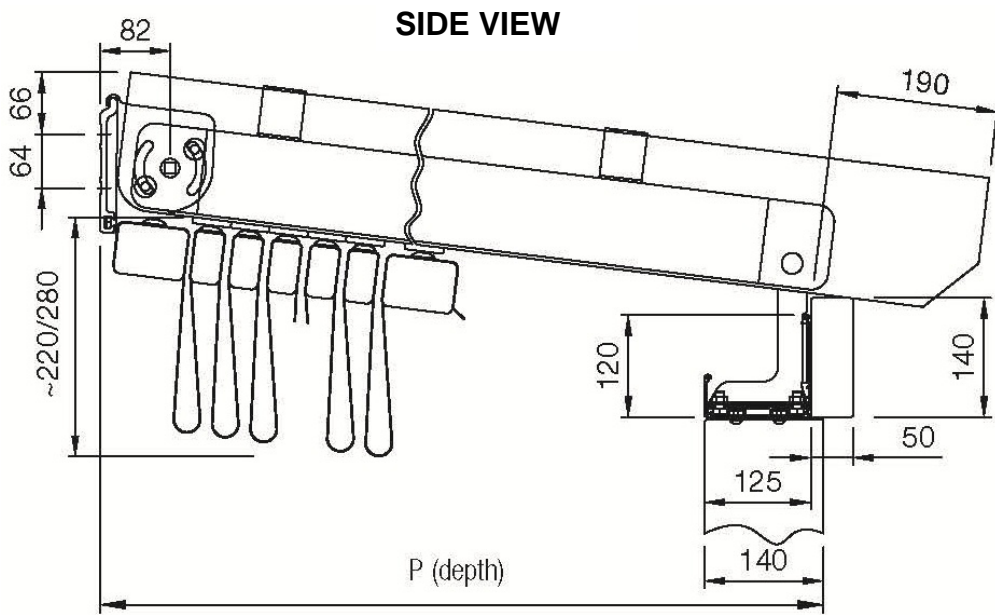
**2 spans (L from 16' 2" to 29' 6" max total  
L1 & L2 from 8' 1" to 14' 8" wide**



**TYPE 3: WOOD PLUS system**

**3 spans (L from 29' 5" to 42' 6")  
L1, L2, & L3 from 9' 10" to 14' 1" wide**

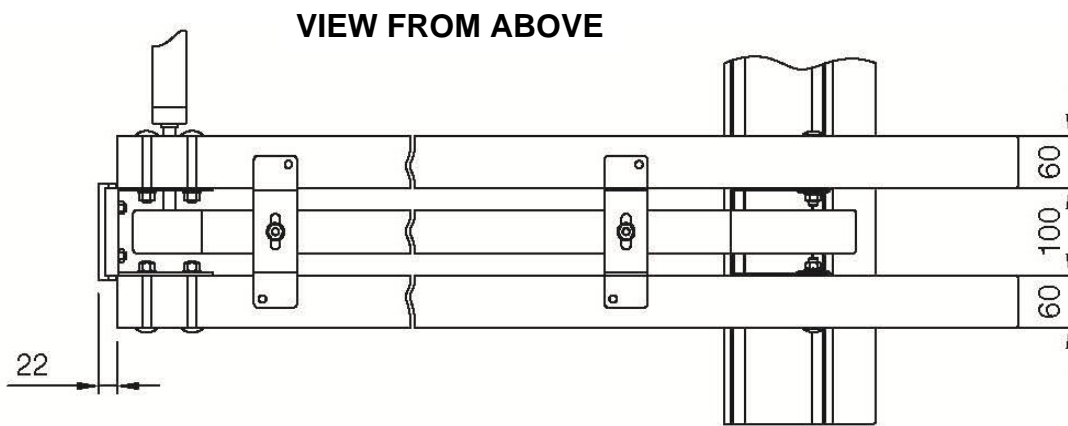




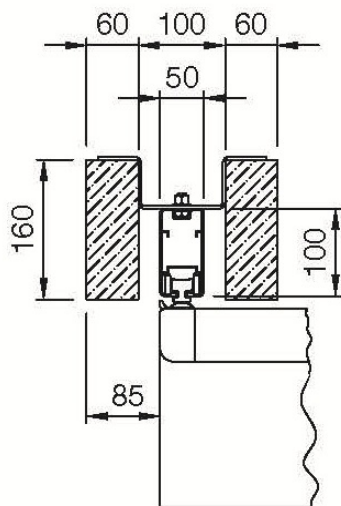
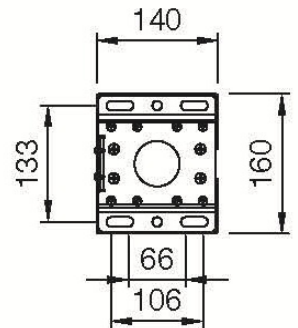
**FRONT VIEW**

**Dimensions:**

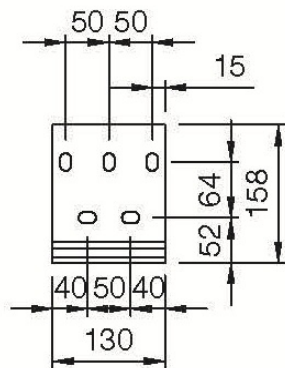
**P = Actual Projection from Wall**



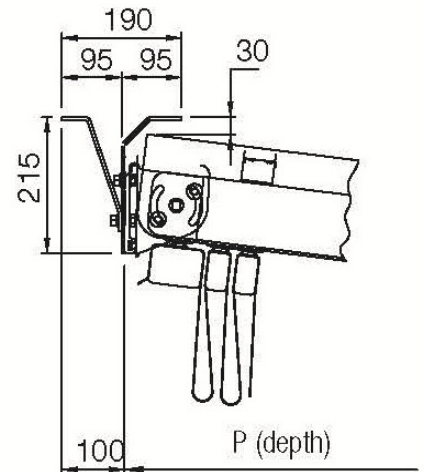
**FOOT PLATE**



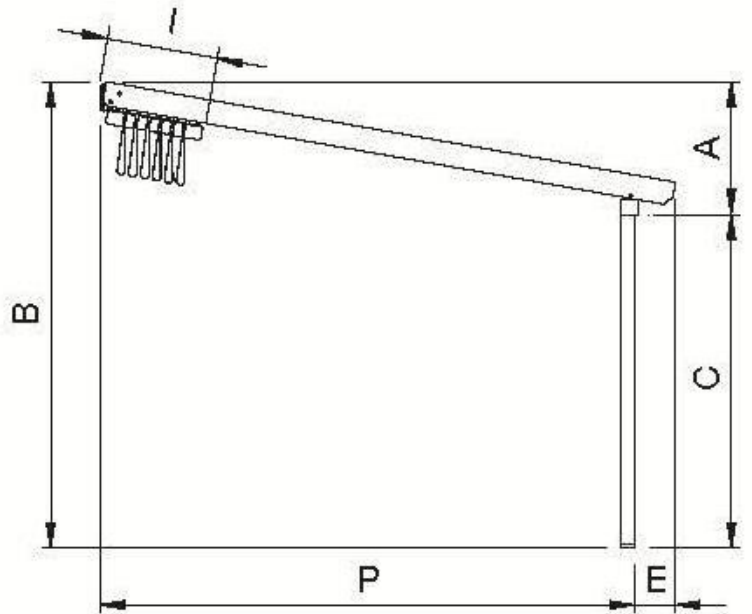
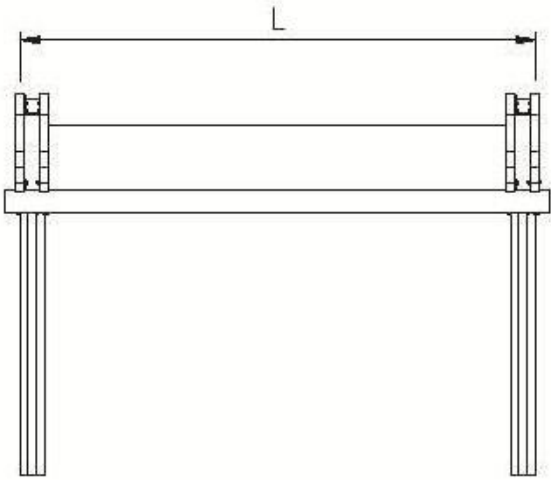
**FRONT SECTION**



**WALL BRACKET**



**CEILING MOUNT**



**Dimensions:**

- A = Height of Slope**
- B = Height at top back**
- C = Post Height**
- P = Actual Projection from wall**



©2017 AWNINGS UNLIMITED INC.  
P.O. Box 1068 7785 Rt. 175,  
Jessup, MD 20794

**JESSUP, MD      800 – 548 – 0408**

**Note:**

This product requires training at the Sunair facility in Jessup, MD. Sunair has staff available to help supervise the installation for an additional cost.

Further information please call our Jessup office.