


PRODUCT FEATURES:



- This Pergola® type mounts between walls , or underneath an existing structure or trellis
- Protects against sun, rain,
- Can cover small to larger areas
- Great for restaurant dining areas and large residential patios
- Medium duty all aluminum frame
- Manually operated up to 268 sq. ft. size as a Type 1.
- Motorization required on larger sizes
- Motorized with safety box
- Optional hood system recommended

Pergola® TECNIC is the smaller version in the Tecnic (Tecnic) line, and is utilized on special applications mounting under wood or steel trellis structures, or between walls. This model offers the convenience of a retractable awning, yet the comfort and durability of a stationary awning. Now you can utilize your patio area during fierce mid-day sun and rain. This Pergola® system is great for Restaurant and residential patio areas.

MODEL: TECNIC	Standard Frame Colors	Standard Widths	Standard Projections	Recommend Application	Fabric	Options
	White 9010 Cream1013 Corten Custom colors also available	Max 16 ft. with two beams and total 42' 7" wide with 3 sections and 4 guides	Up to 26' 2" projection Max projection between walls 18' or 5,5 m	Restaurants, residential Wood and steel trellis structures	Ferrari Preconstraint 602 Optional: Ferrari 502 & 302 , Soltis 86 & 92	None

1. General

The Pergola® Tecnic terrace awning is designed for restaurants, cafes and large residential terraces.

The Tecnic system is a permanent sun-shading track / frame system with a retractable fabric. The Tecnic opens and closes by means of a manual gear or tubular motor. Maximum size available with 4 guides is 42' 7" wide x 26' 2' projection.

2. The fabric

Preconstraint 602 is a waterproof fabric PVC fire-resistant Class 2, heat-sealed to provide higher water-proof quality.

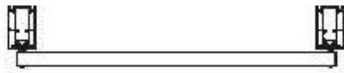
3. Motor

The Pergola® Tecnic is operated by a Somfy ALTUS radio 110v tubular motor with a control box. Either an LT50 or LT60 motor is used depending on the size of the unit. Somfy electronic controls are available as an option.

4. Manual The manual version is available in "single span" Type 1 versions up to 268 sq. ft. size or 25 sq. meters. The gear is a fast 4.4:1 gear for efficiency.

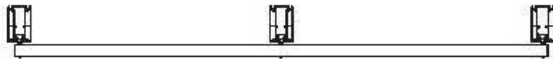
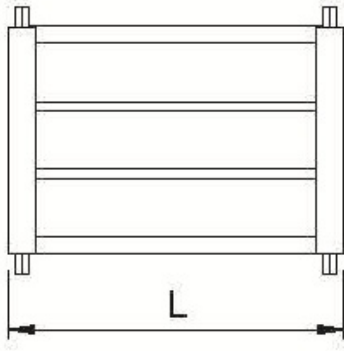
Pergola® Model: TECNIC





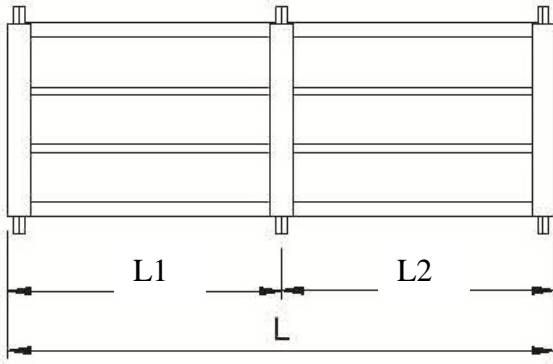
TYPE 1: TECNIC system

L = from 8' 1" to max 16' 5" wide



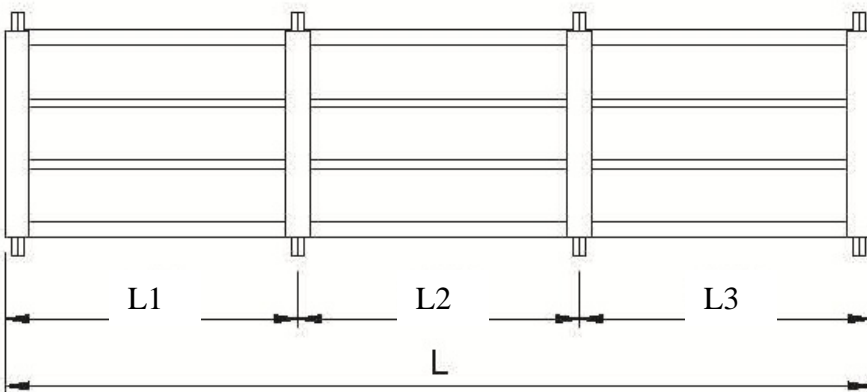
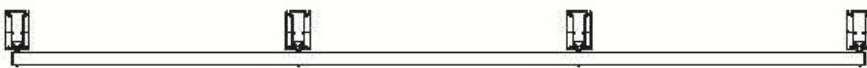
TYPE 2: TECNIC system

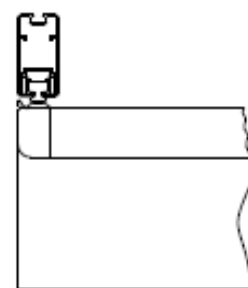
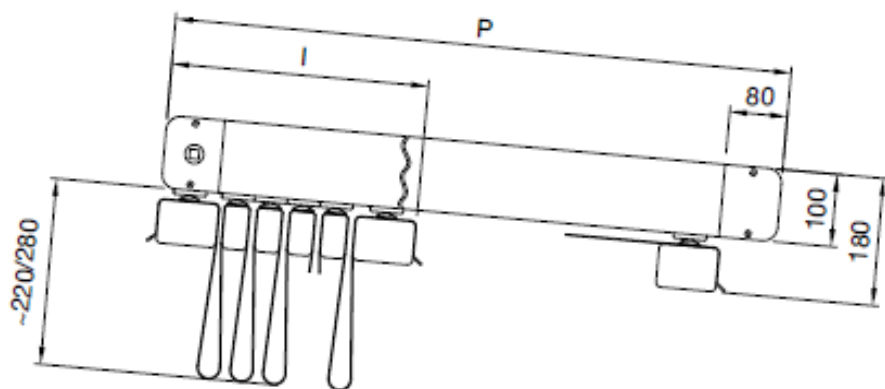
**2 spans (L from 16' 4" to 29' 6" max total
L1 & L2 from 6' 8" to 14' 8" wide**



TYPE 3: TECNIC system

**3 spans (L from 27' 10" to 42' 6")
L1, L2, & L3 from 6' 8" to 14' 1" wide**



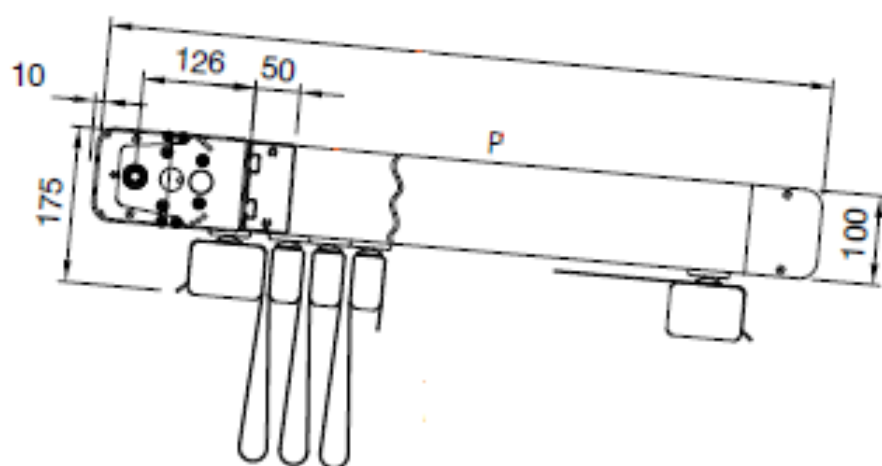
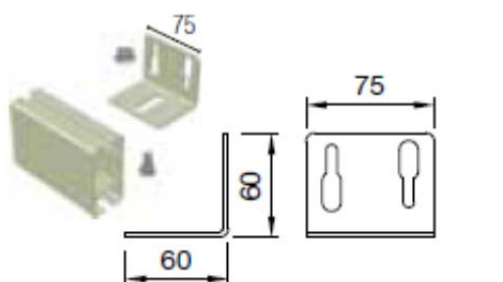
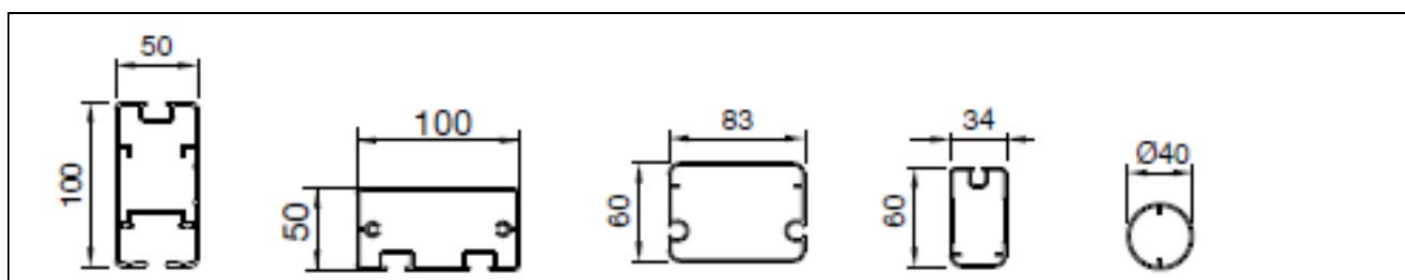


FRONT SECTION

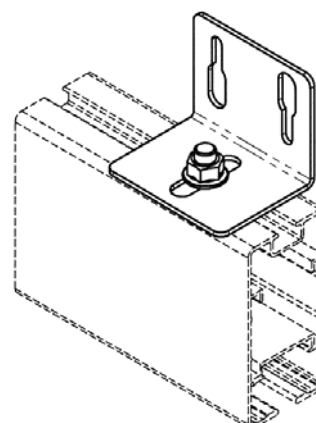
Dimensions:

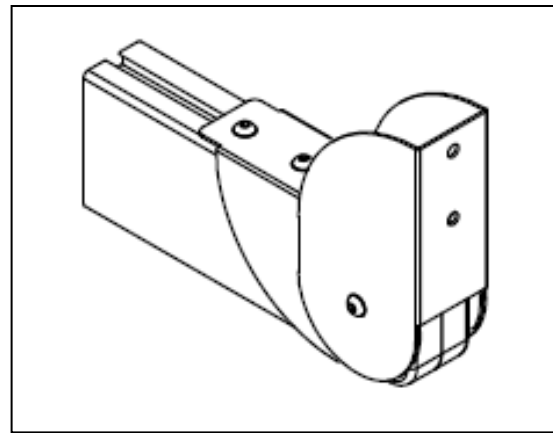
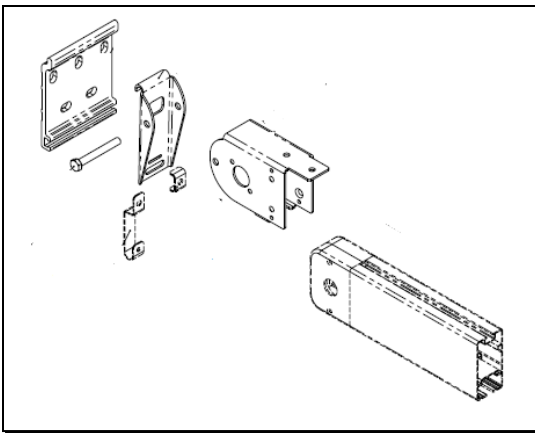
I = Dimension when awning is retracted

P = Actual Projection from wall

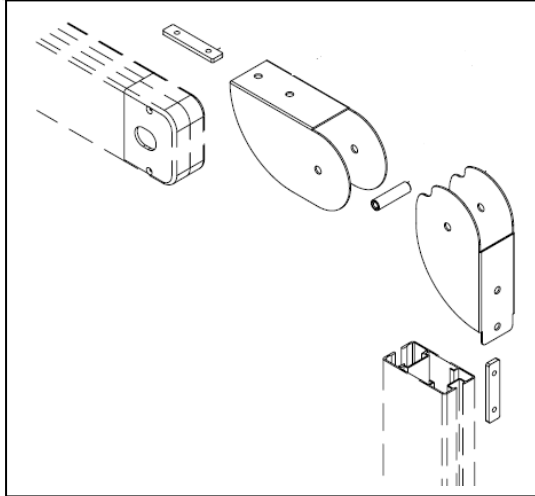


Installed on wall with motor and running profile





Mounting between walls



Note:

Maximum projection on TECNIC using between wall brackets without an intermediary support is 18 ft. (5.5 meters).

Full available projection of 26' 2" (8 meters) can be accomplished using the alternative "L" brackets spaced evenly along a support beam.

Note:

This product requires training at the Sunair facility in Jessup, MD. Sunair has staff available to help supervise the installation for an additional cost.

Further information please call our Jessup office.



©2015 AWNINGS UNLIMITED INC.
P.O. Box 1068 7785 Rt. 175,
Jessup, MD 20794

JESSUP, MD 800 – 548 – 0408