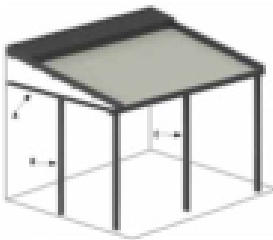


**PRODUCT FEATURES:**



- Wall mounted Pergola® type
- Protects against sun and rain
- Keeps deck and patio cool
- Covers small to larger patio areas
- Great for restaurant dining areas and large residential patios
- All aluminum frame powder coated
- Manually operated capable up to 268 sq. ft. size as a type 1 unit.
- Motorization available all sizes, and required on larger sizes
- Optional hood system available
- Integrated gutter for water drainage
- Ideal for adding drop down screens or zipper screens with square surfaces

Pergola® LEVEL offers the convenience of a retractable awning, yet the comfort and durability of a stationary awning. Now you can utilize your patio area during fierce mid-day sun and rain. This Pergola® system is great for restaurant and residential patio areas. Larger widths can be covered by coupling multiple frames together. Roll down screens with mesh or clear windows can be added for extra weather protection.

<b>MODEL: <u>LEVEL</u></b>	<b>Standard Frame Colors</b>	<b>Standard Widths</b>	<b>Standard Projections</b>	<b>Recommend Application</b>	<b>Fabric</b>	<b>Options</b>
	Anthracite Grey Std. White 9016 Cream 1013 Corten & Sunair std. colors. Custom colors also available	Max 16 ft. with two posts and total 42' 7" wide 3 sections And 4 posts	Up to 21' 4" projection	Restaurants, Large Residential Patios	Ferrari Preconstraint 602  Optional: Ferrari 502 & 302, Soltis 86 & 92	Roll Screens Heaters Lights Side curtains End panels

**1. General**

The Pergola® Technic **LEVEL** terrace awning is designed for restaurants, cafes, and large residential terraces. The LEVEL system is permanent sun-shading frame system with a retractable fabric. The Level opens and closes by means of a manual gear or tubular motor. Multiple units can be added together for wider widths with fabric in one piece. Maximum single unit size with one fabric and four (4) posts is 42' 7" wide x 21' 4" projection.

**2. The fabric**

Ferrari Preconstraint 602 is a waterproof fabric made , fire-resistant & Fire rated, heat-sealed to provide higher water-proof quality. Optional Ferrari 502 is available in multiple colors. Ferrari 302 is available as special order.

**3. Motor**

The Pergola® LEVEL is operated by a Somfy ALTUS radio 110v tubular motor with a control box. Either an LT50 or LT60 motor is used depending on the size of the unit. Somfy electronic controls are available as an option.

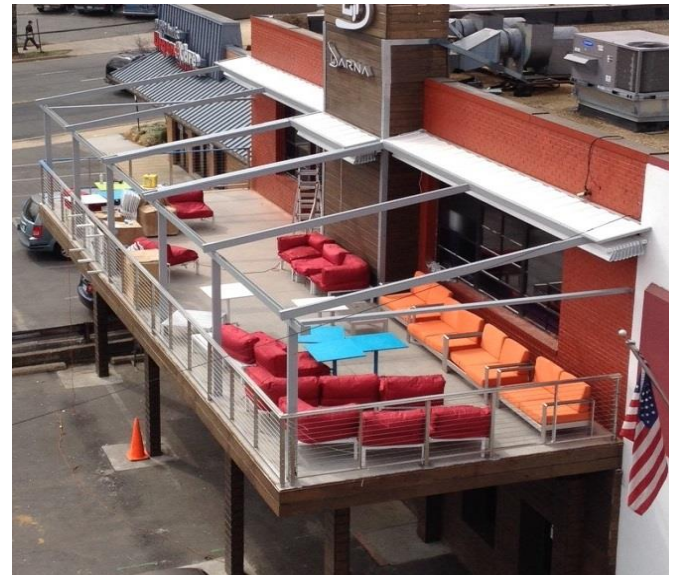
**4. Manual**

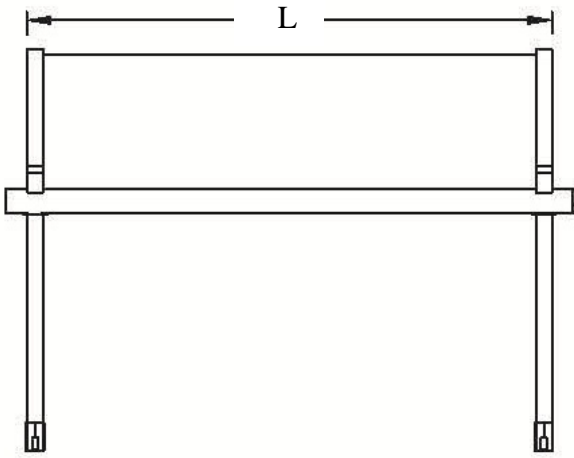
The manual version is available in "single span" Type 1 versions up to 268 sq. ft. size or 25 sq. meters. The gear is a fast 4.4:1 gear for efficiency.

# Pergola® Model: LEVEL RESIDENTIAL INSTALLATIONS



# Pergola® Model: LEVEL COMMERCIAL INSTALLATIONS



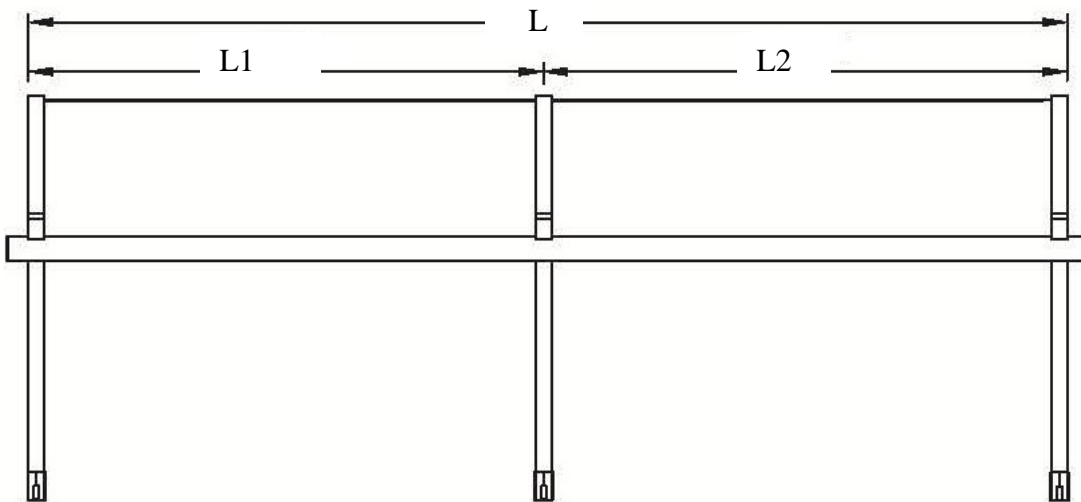


**TYPE 1: Level system**

**L = from 8' 1" to max 16' 5" wide**

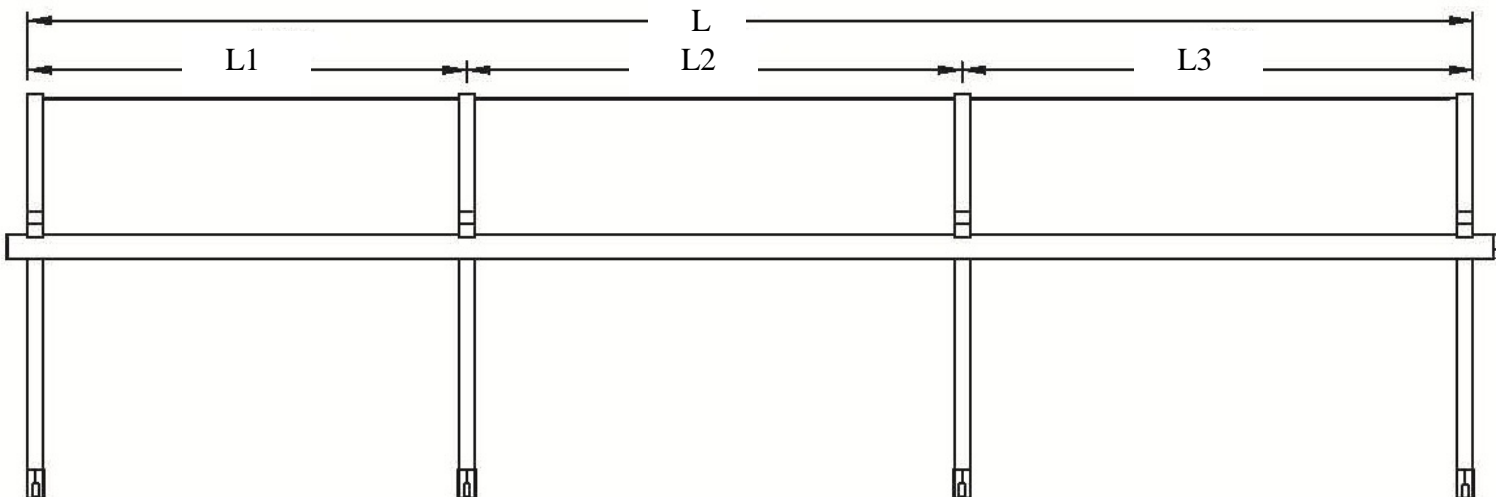
**TYPE 2: Level system**

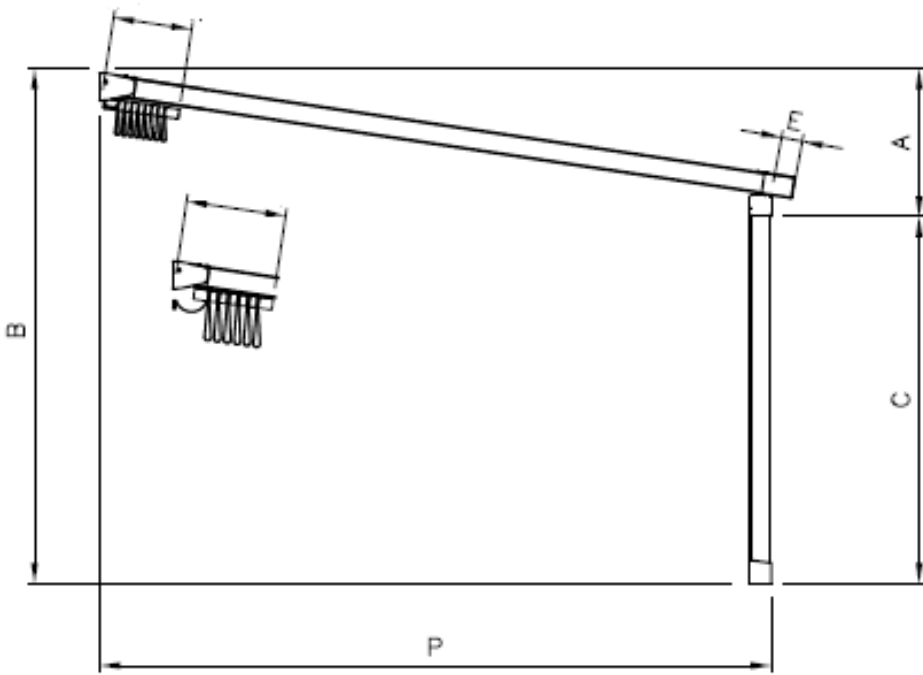
**2 spans (L from 14' 8" to 29' 6" max total  
L1 & L2 from 6' 6" to 14' 8" wide**



**TYPE 3: Level system**

**3 spans (L from 27' 10" to 42' 6")  
L1, L2, & L3 from 6' 6" to 14' 1" wide**





**Dimensions:**

**A = Height of Slope**

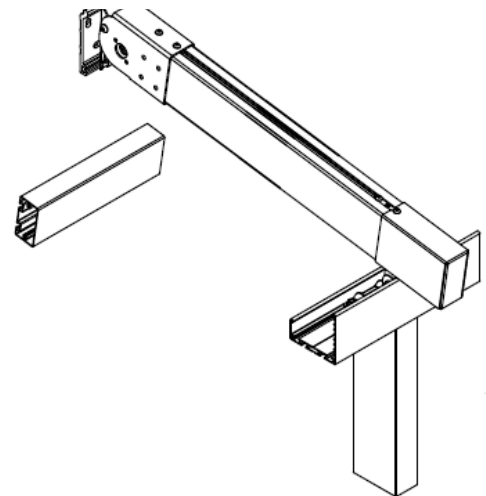
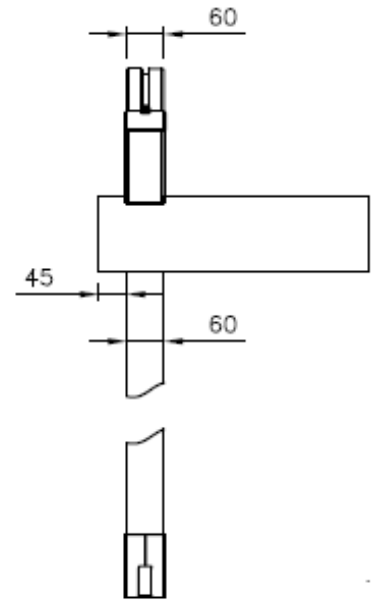
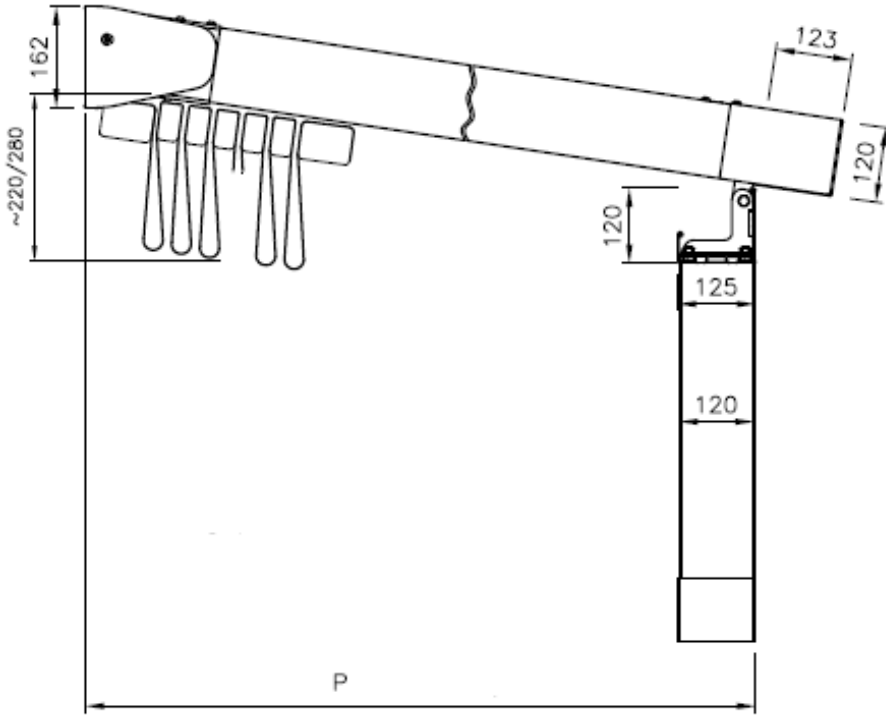
**B = Height at top back**

**C = Post Height / Under gutter height**

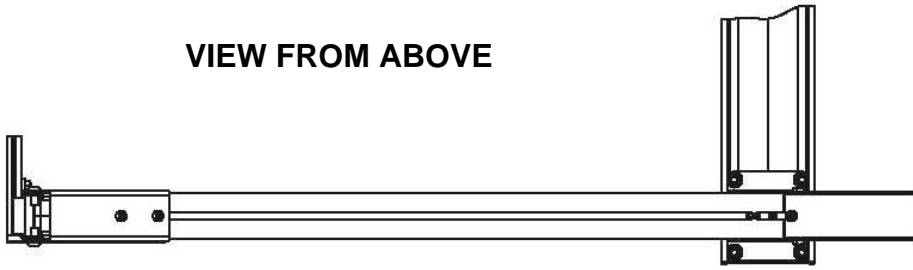
**P = Actual Projection from wall**

**NOTE:**

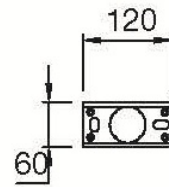
**See minimum pitch diagram for proper water drainage (Refer to price list).**



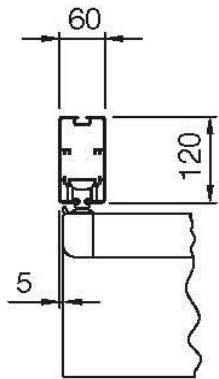
**VIEW FROM ABOVE**



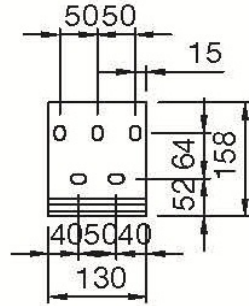
**FOOT PLATE**



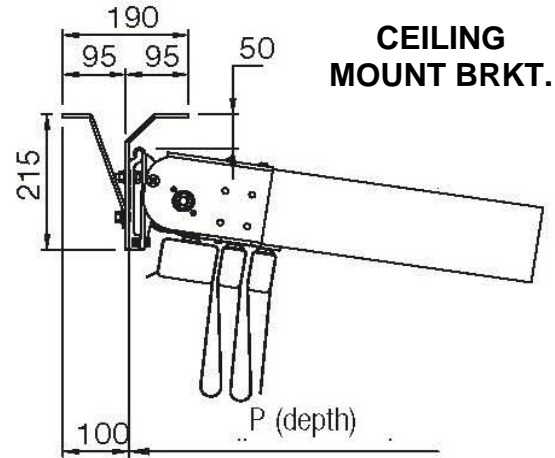
**WALL BRACKET**



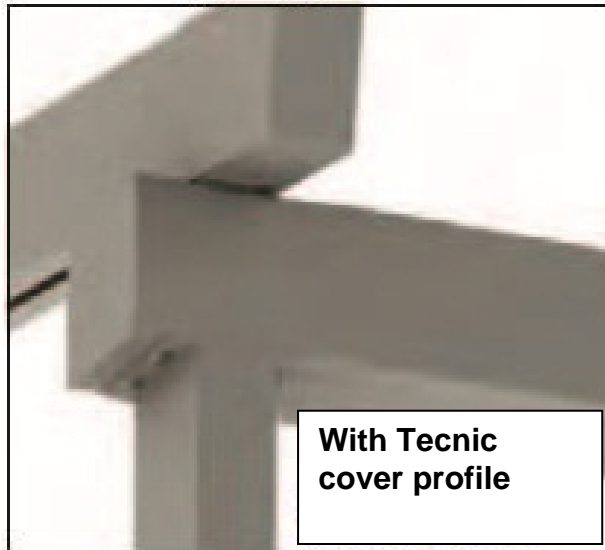
**FRONT SECTION**



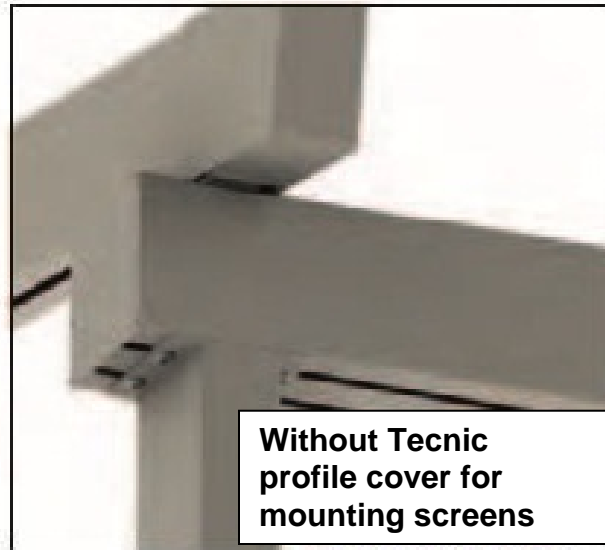
**BRACKET PLATE FOR STD. WALL INSTALLATION**



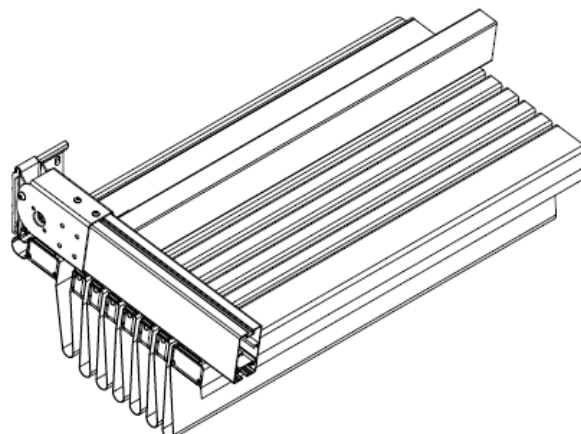
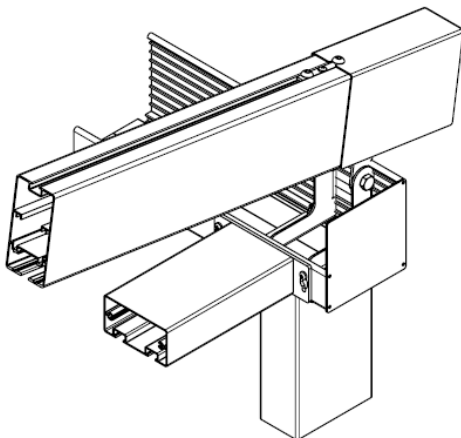
**CEILING MOUNT BRKT.**



**With Tecnic cover profile**



**Without Tecnic profile cover for mounting screens**



**Note:**

The LEVEL product requires training at the Sunair facility in Jessup, MD. Sunair has staff available to help supervise the installation for an additional cost.

For further information please call our Jessup office.



©2017 AWNINGS UNLIMITED INC.  
P.O. Box 1068 7785 Rt. 175,  
Jessup, MD 20794

**JESSUP, MD      800 – 548 – 0408**