




PRODUCT FEATURES:

- Wall mounted Pergola® type
- Protects against sun and rain
- Keeps deck and patio cool
- Covers small to larger patio areas
- Great for restaurant dining areas and large residential patios
- All extruded aluminum frame
- Manually operated up to 268 sq. ft. size as a Type 1 unit.
- Motorization required on larger sizes
- Motorized with safety box
- Optional hood system recommended
- Integrated gutter for water
- Foot for post hidden for cleaner look

Pergola® INFINITY offers a modern look with all profiles made entirely of extruded aluminum. The Infinity also offers the convenience of a retractable awning, yet the comfort and durability of a stationary awning. Now you can utilize your patio area during fierce mid-day sun and rain. This Pergola® system is great for Restaurant and residential patio areas. Larger widths can be covered by coupling multiple frames together. Roll down screens with mesh or clear windows can be added for extra weather protection.

MODEL: INFINITY	Standard Frame Colors	Standard Widths	Standard Projections	Recommend Application	Fabric	Options
	Anthracite / Iron Grey Custom colors also available	Max 16' 5" with two posts and total 42' 7" wide with 3 sections And 4 posts	Up to 22' 11" projection	Restaurants, Large Residential Patios	Ferrari Preconstraint 602 Optional: Ferrari 502 & 302 , Soltis 86 & 92	Roll Screens Heaters Lights Side curtains End panels

1. General

The Pergola® Technic **INFINITY** terrace awning is designed for restaurants, cafes, and large residential terraces. The INFINITY system is permanent sun-shading frame system with a retractable fabric. The INFINITY opens and closes by means of a manual gear or tubular motor. Multiple units can be added together with a cap for wider widths. Maximum single unit size with four (4) posts is 42' 7" wide x 21' 4" projection.

2. The fabric

Ferrari 602 is a waterproof fabric PVC fire-resistant Class 2, heat-sealed to provide higher water-proof quality.

3. Motor

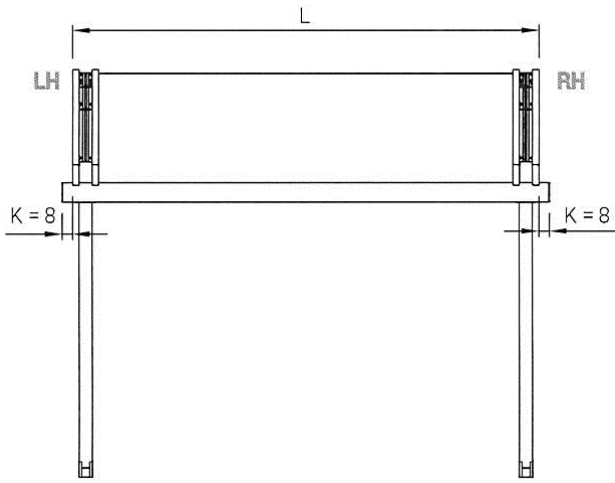
The Pergola® INFINITY is operated by a Somfy ALTUS radio 110v tubular motor with a control box. Either an LT50 or LT60 motor is used depending on the size of the unit. Somfy electronic controls are available as an option.

4. Manual

The manual version is available in "single span" Type 1 versions up to 268 sq. ft. size or 25 sq. meters. The gear is a fast 4.4:1 gear for efficiency.

Pergola® Model: INFINITY



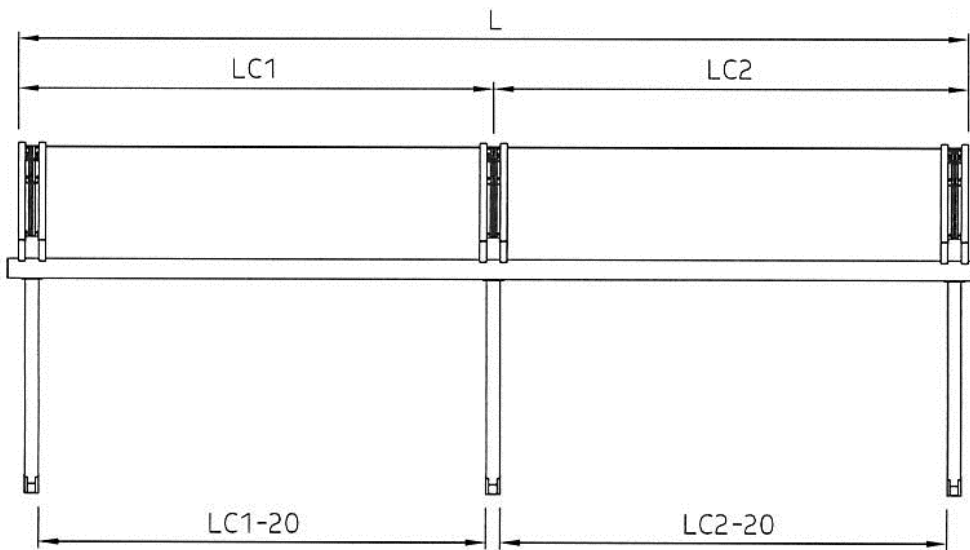


TYPE 1: Infinity system

L = from 8' 2" to max 16' 5" wide

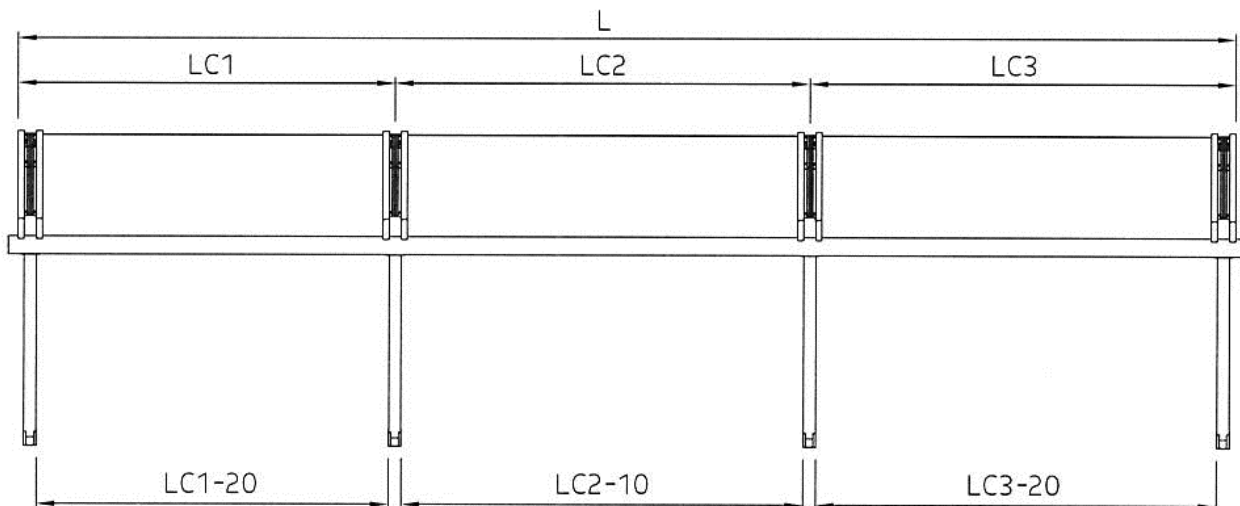
TYPE 2: Infinity system

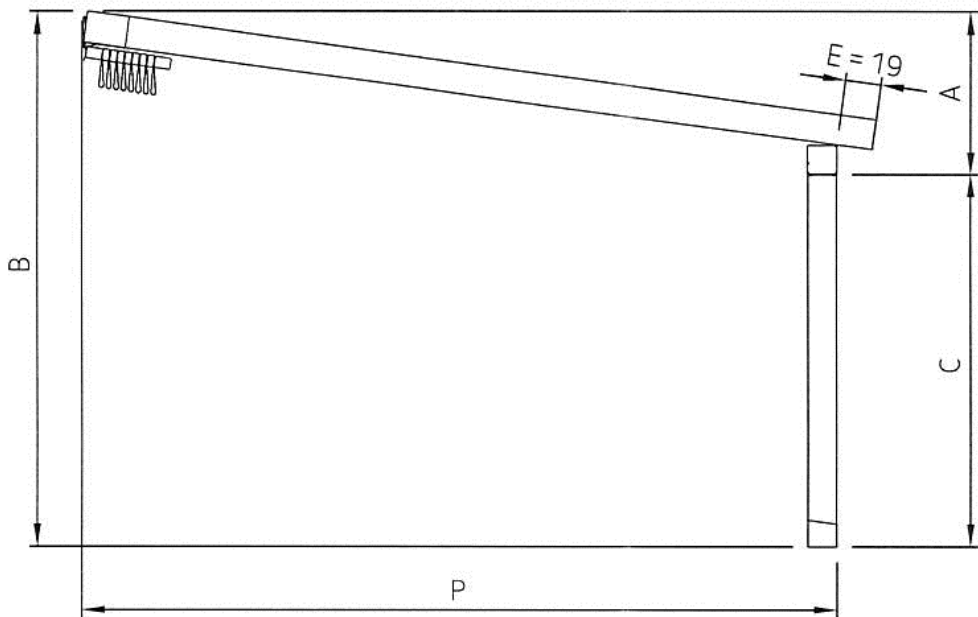
**2 spans (L from 14' 8" to 29' 6" max total
LC1 & LC2 from 6' 6" to 14' 1" wide**



TYPE 3: Infinity system

**3 spans (L from 27' 11" to 42' 7")
LC1, LC2, & LC3 from 6' 6" to 14' 1" wide**



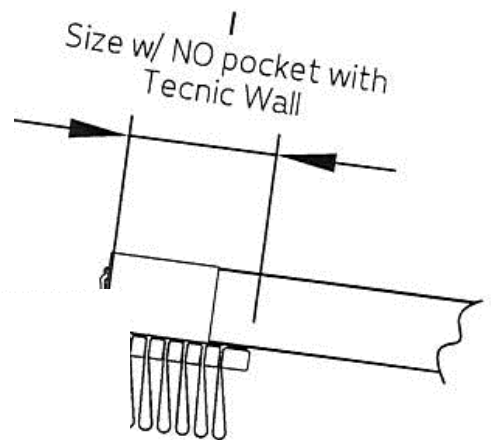
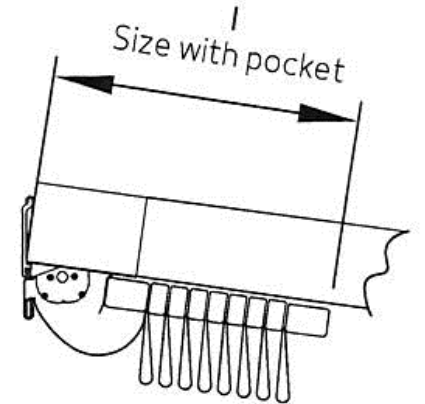
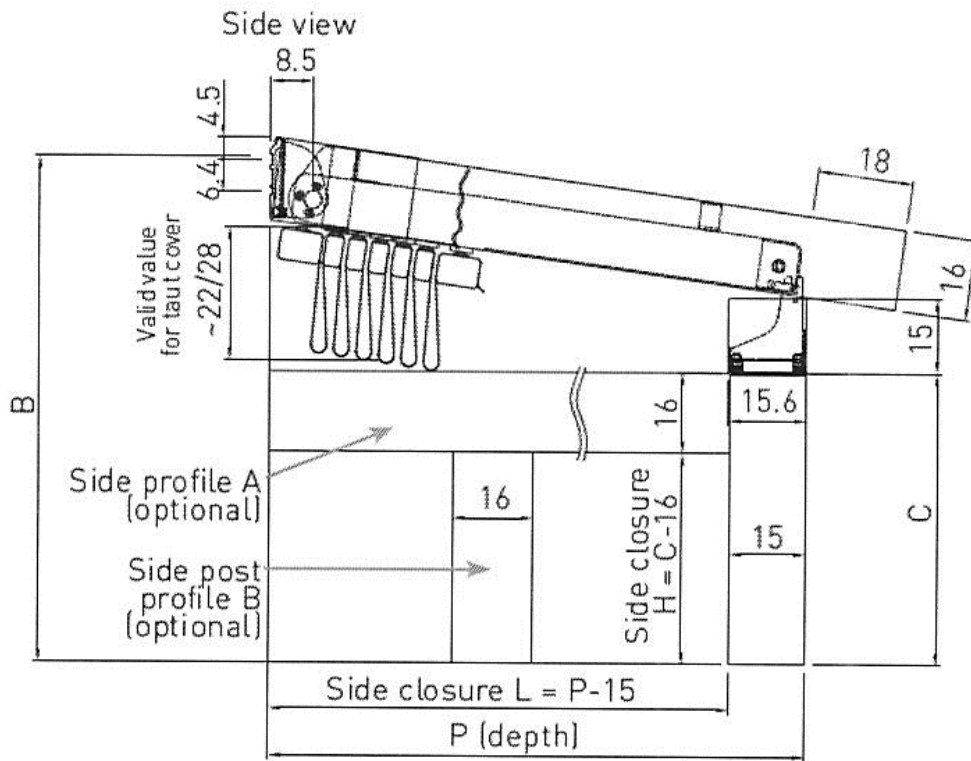


Dimensions:

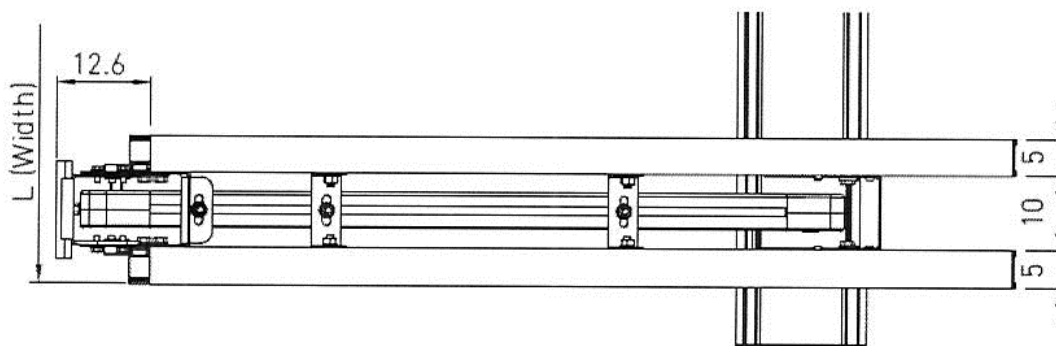
- A = Height of Slope**
- B = Height at top back**
- C = Post Height / Under gutter height**
- P = Actual Projection from wall**

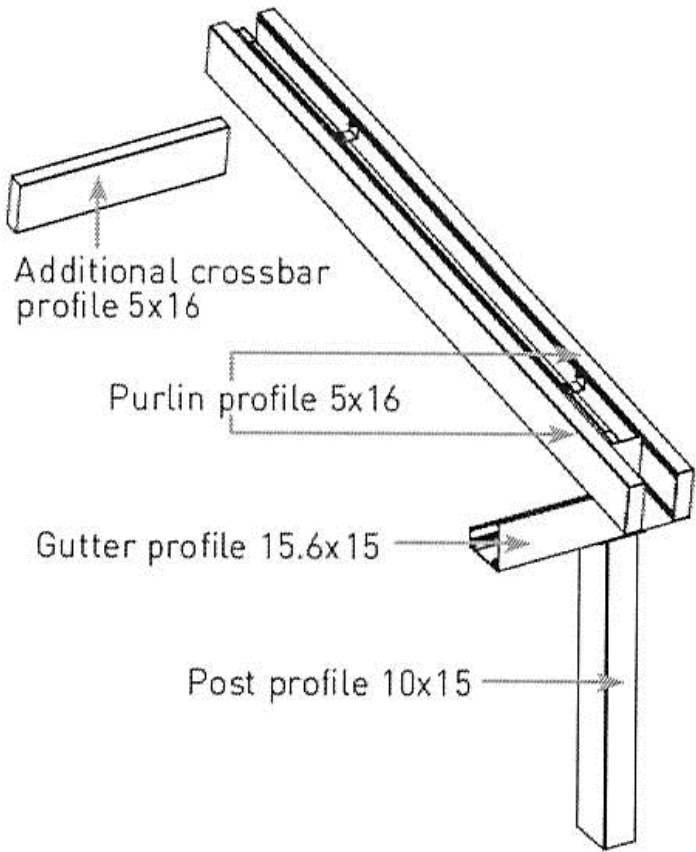
NOTE:

See minimum pitch diagram for proper water drainage (Refer to price list).

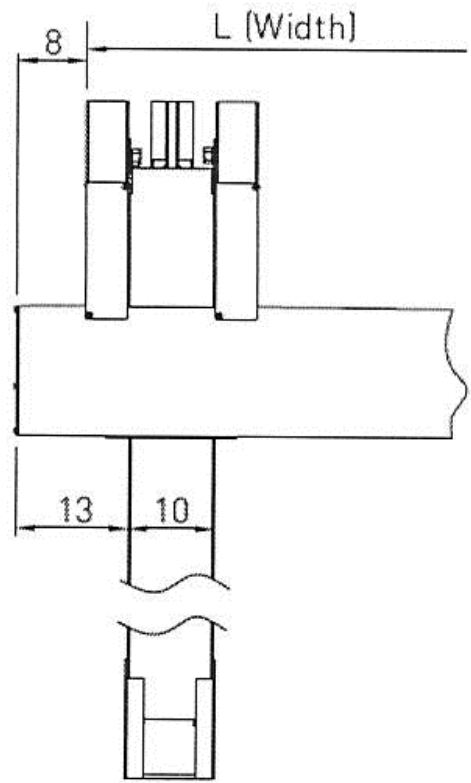


View from above

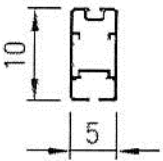




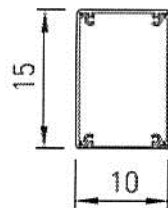
Front view



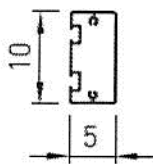
Guide profile
cod. 2136



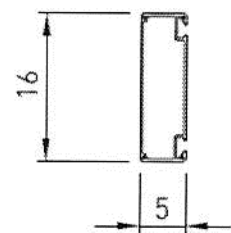
Post profile
cod. 2591



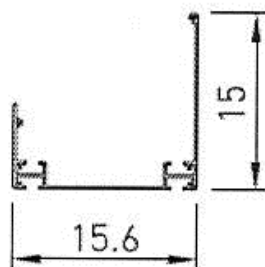
Motor crossbar
profile cod. 2828



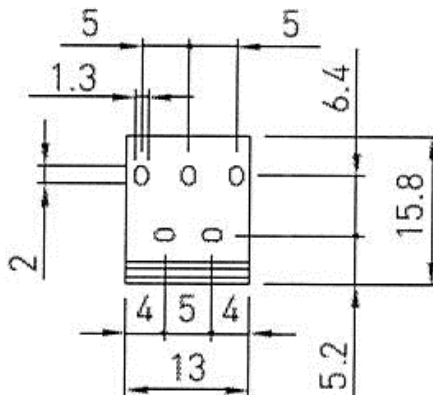
Additional purlin
and crossbar profile
cod. 2590



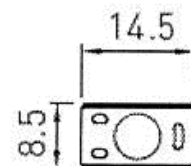
Gutter profile
cod. 2595



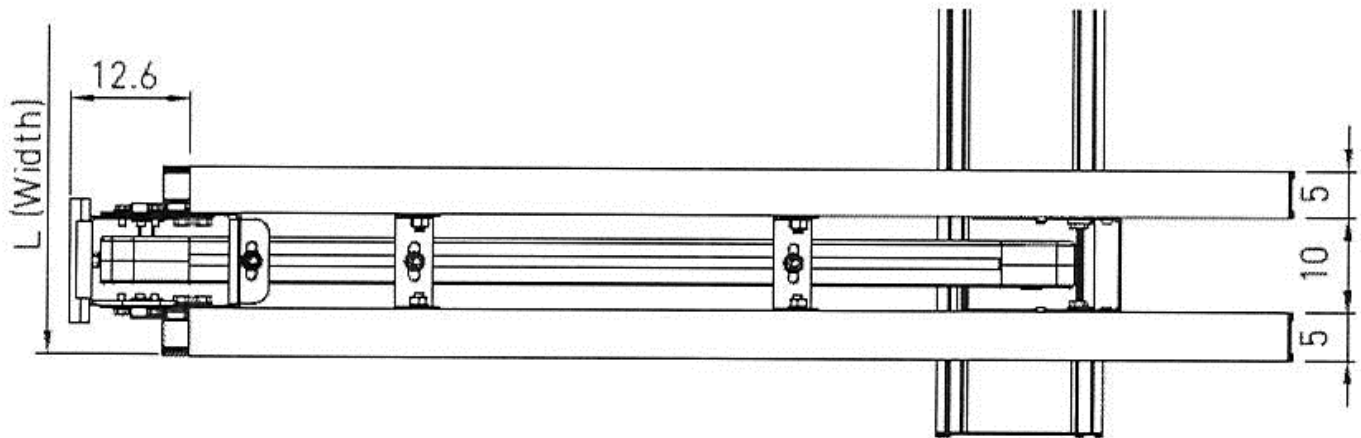
Wall mounting kit
detail code 2732



Ground
bracket detail
code 2608



View from above



Note:

The INFINITY product requires training at the Sunair facility in Jessup, MD. Sunair has staff available to help supervise the installation for an additional cost.

For further information please call our Jessup office.



©2017 AWNINGS UNLIMITED INC.
P.O. Box 1068 7785 Rt. 175,
Jessup, MD 20794

JESSUP, MD 800 – 548 – 0408

Revised 01/07/17