

Model: NOMO & RIALTO Bioclimatic Pergola®

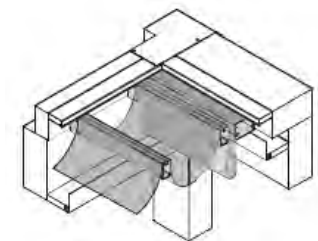
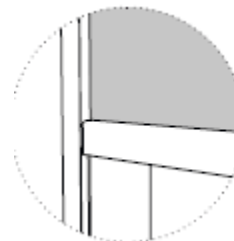
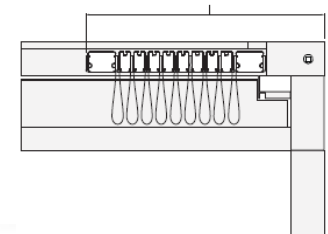
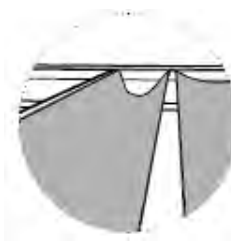
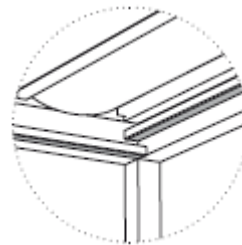
Revised 01/29/19



Standard Frame Colors	Maximum Width	Maximum Projection	Options
8 Akzo Nobel colors plus optional custom RAL colors	5.5 m / 18 ft. wide per module	7 m / 22' 11" proj.	Undercover, LEDS, Heaters, Side Screens

PRODUCT FEATURES:

- Retractable fabric roof pergola.
- Ideal for free standing or wall mounted applications or where flat installations are required.
- Integrated gutter and downspouts for water drainage.
- Arched fabric for better water management.
- Multiple modules can be mounted side by side with common posts to create larger width.
- All aluminum frame powder coated
- Motorized all sizes.
- Screens optional on NOMO model only.
- Ideal for adding roll down zipper screens.



NOMO & RIALTO: Commercial Installations



NOMO & RIALTO: Residential Installations



NOMO & RIALTO ADVANTAGES

The rounded arched fabric allows for a compact structure design. The supporting profile and guides are 12 ½” high (32 cm).

Tilting gutter is a Pratic patent managing water discharge within the structure. Optional telescoping post feet are available for ease of installation.

For greater perimeter protection, the NOMO model can be configured with retractable RASO zipper screens within the structural elements.

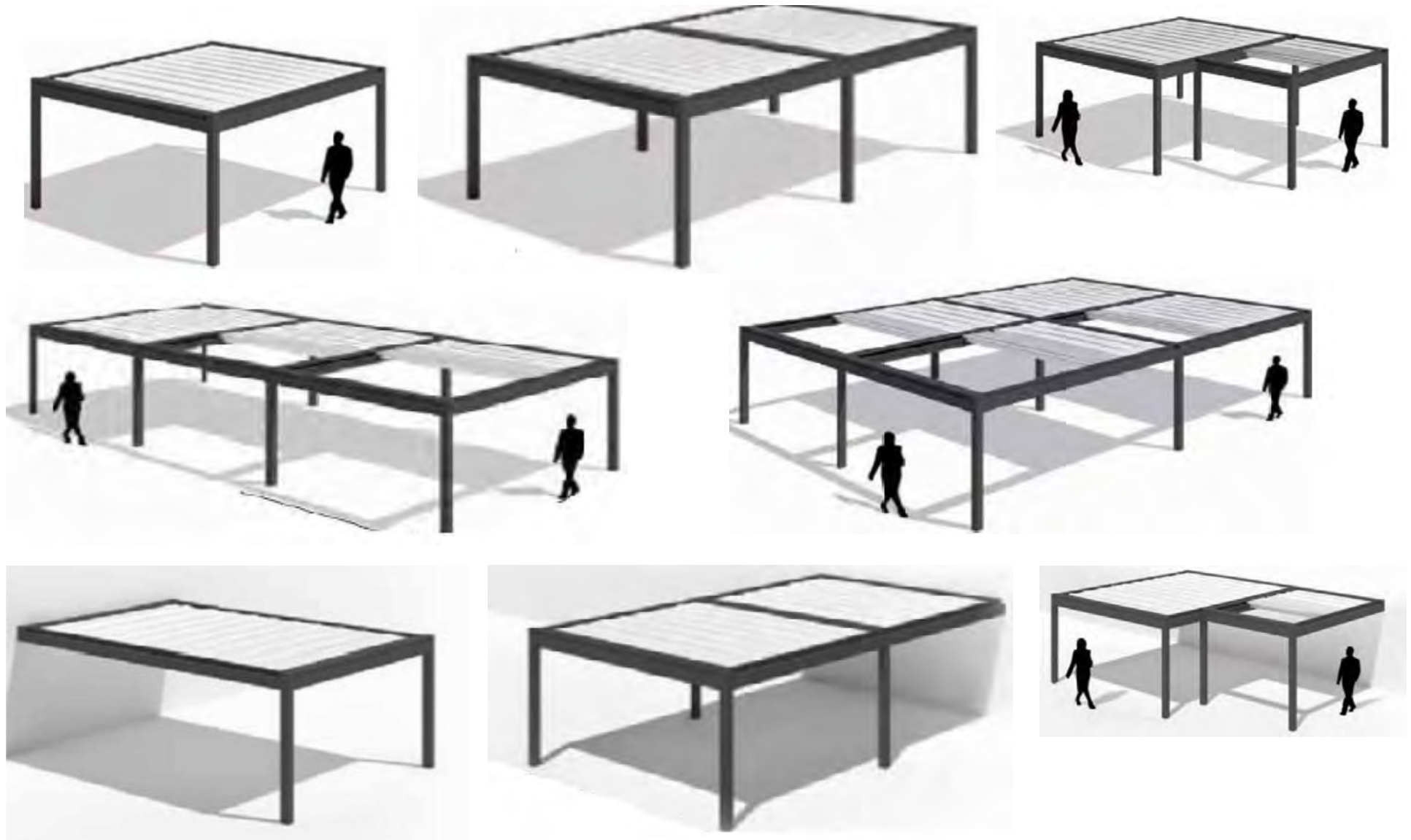


The NOMO & RIALTO offers more pre-assembled structure components for a safer an easier installation on site.

The NOMO & RIALTO RGB LED multi colored lighting offers a fascinating elegant remote controlled lighting option (White lights included).

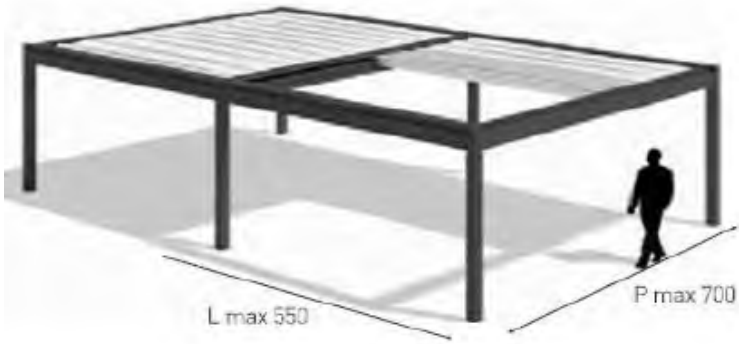
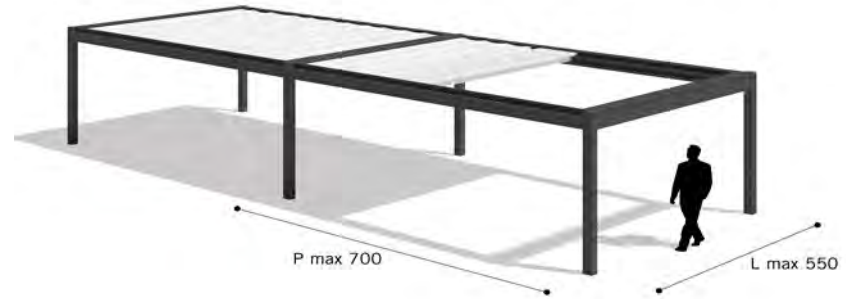
NOMO & RIALTO is a solid made to measure structure that can reach large sizes (18' x 22' 11"). Coupling of multiple structures is possible with minimal intermediate posts.

NOMO & RIALTO: Some possible model configurations

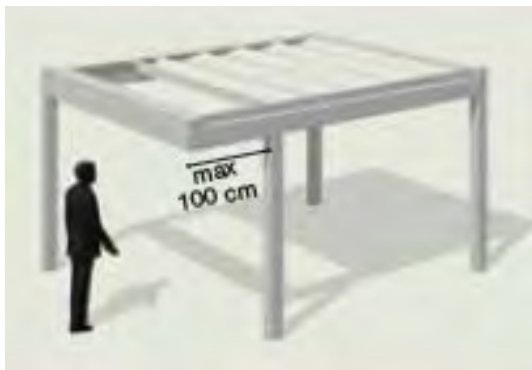


More configurations

STRUCTURES JOINED ALONG DEPTH SIDE P WITH DIFFERENT WIDTHS



RASO SCREENS NOMO ONLY



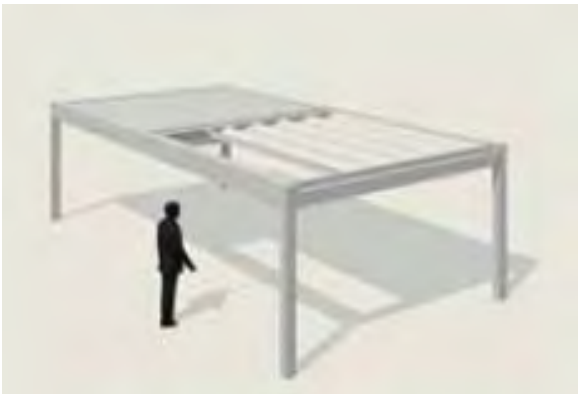
Cantilevered post maximum 100 cm or 39" from corner.



Out of standard configurations



Inquire with Sunair® office on any system that pairs modules on both the (L) width side and (P) projection side simultaneously at the same time.



Inquire with Sunair office on this possibility eliminating center post at front

Available with max width 6 meters x 4 meters projection (19' 8" Wide x 13' 1 1/2" Projection). Optional cantilevered posts not available in this configuration.



Rialto unit mounted wall to wall. Available with Rialto single module only. Max size in this configuration is 5.5 meters x 7 meters projection (approx.: 18' w x 22' 11" proj.)

Please inquire with Sunair on exact size available.

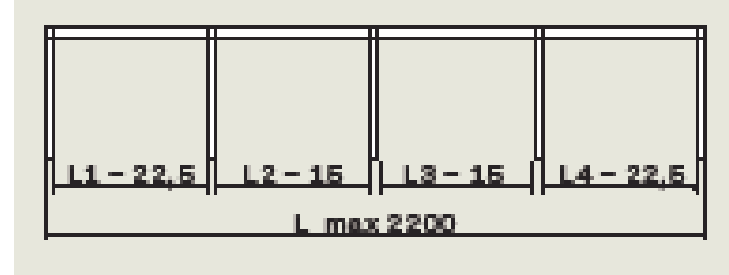
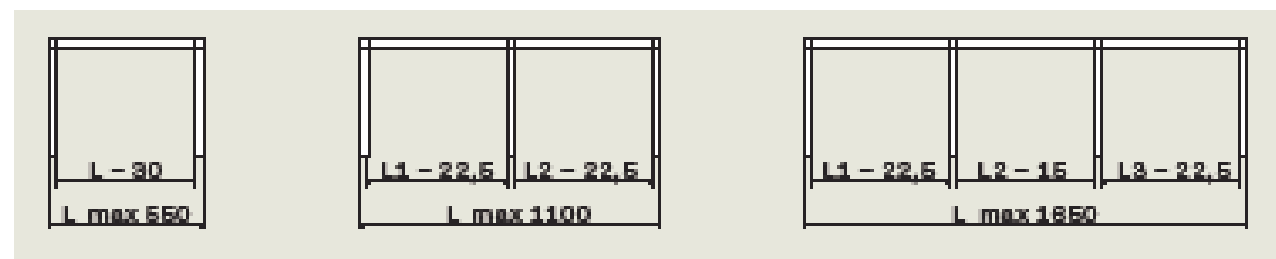
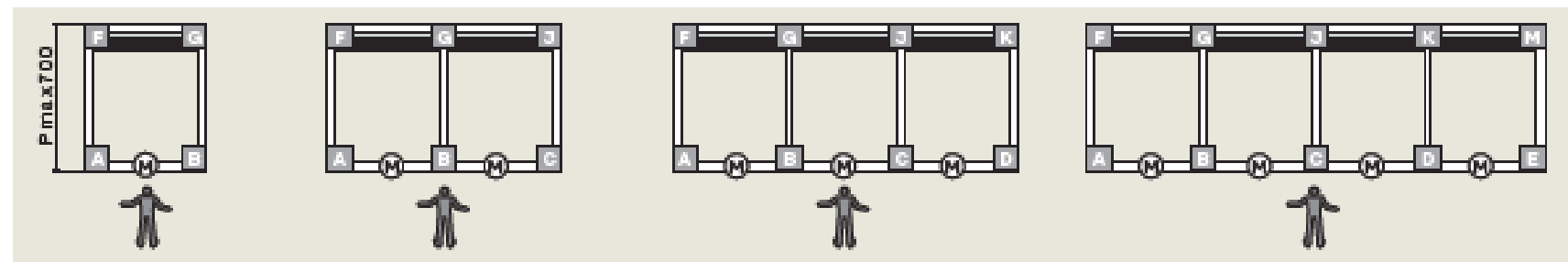


Also inquire on uneven sections or modules to be joined.



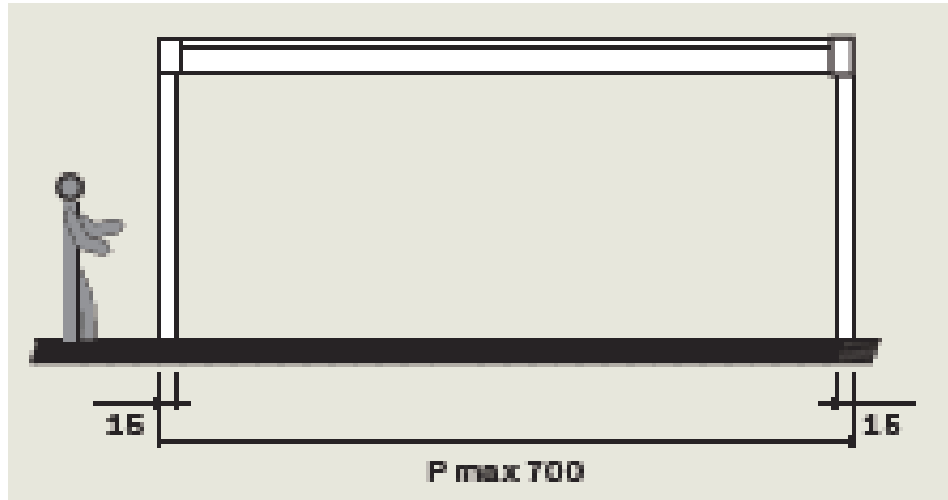
NOMO

01L : Free standing and if multiple Coupled on projection side.

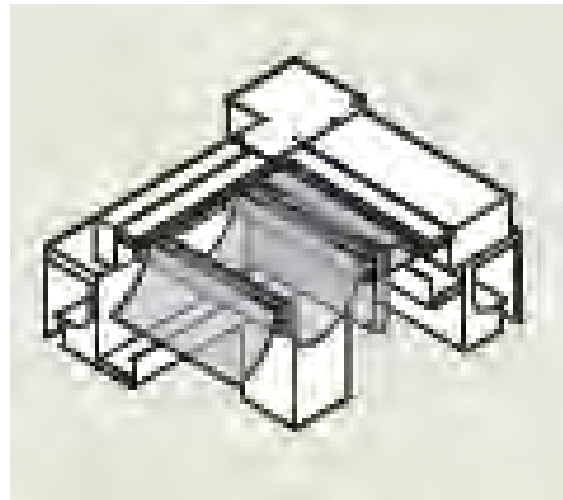
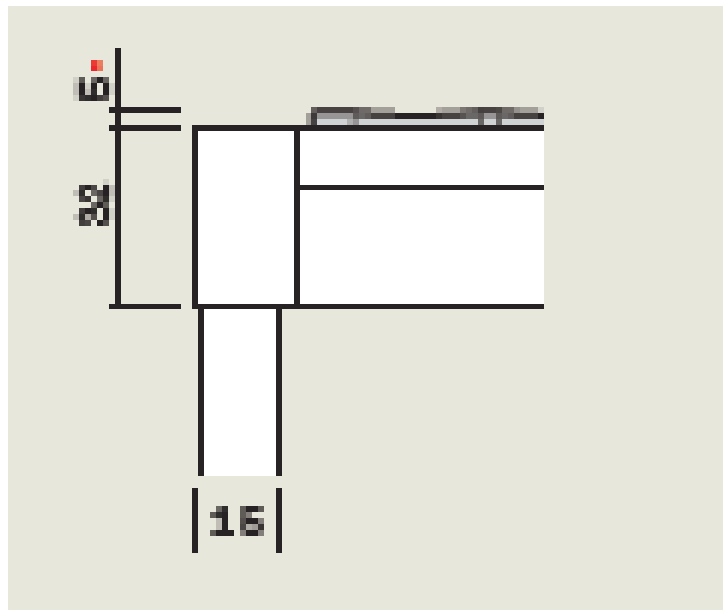
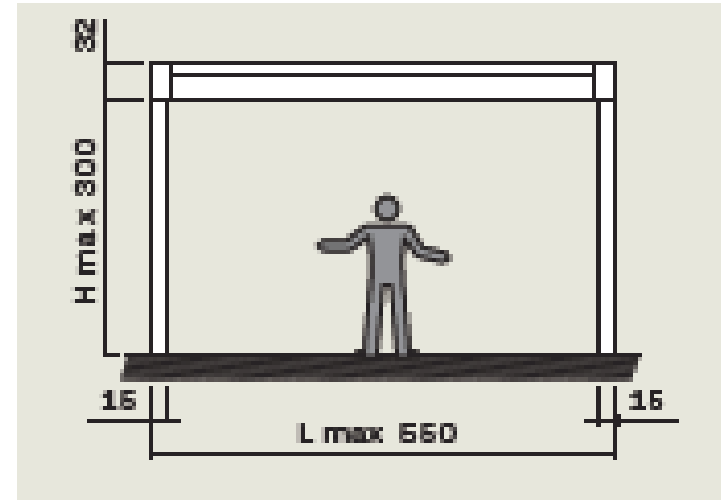


01L: NOMO Free standing con't.

SIDE VIEW

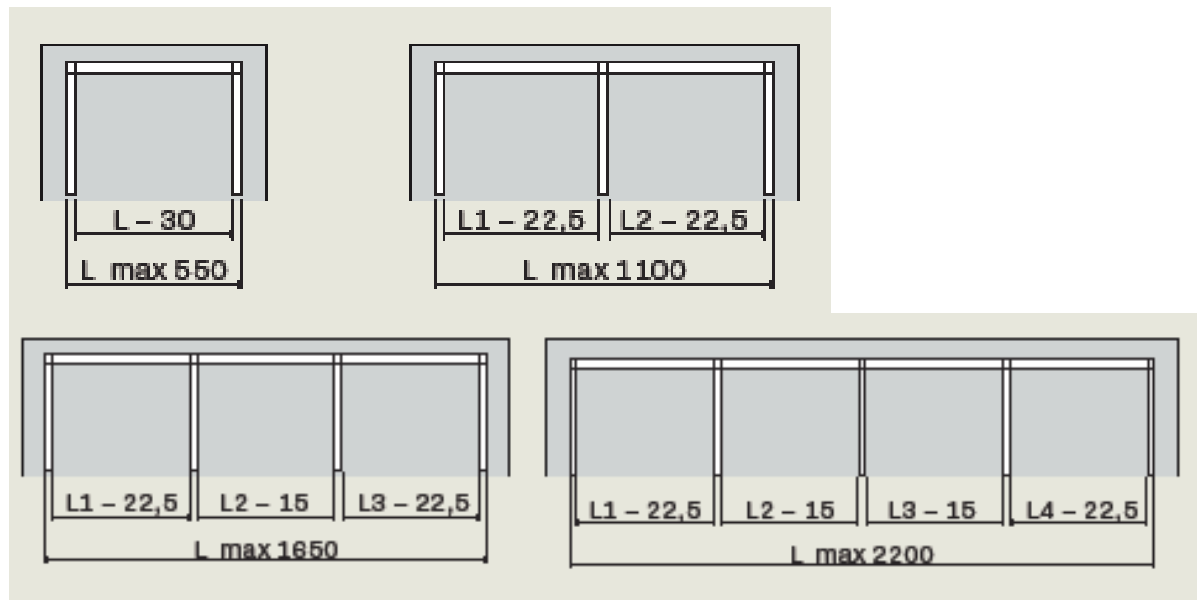
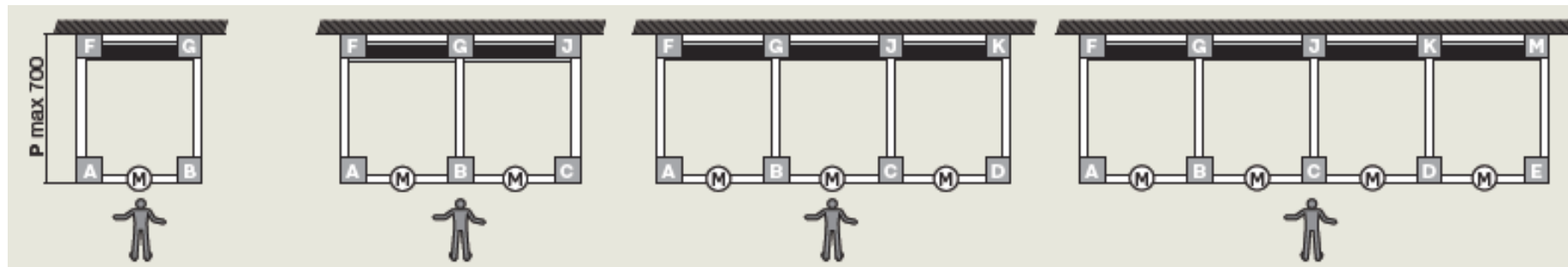


FRONT VIEW



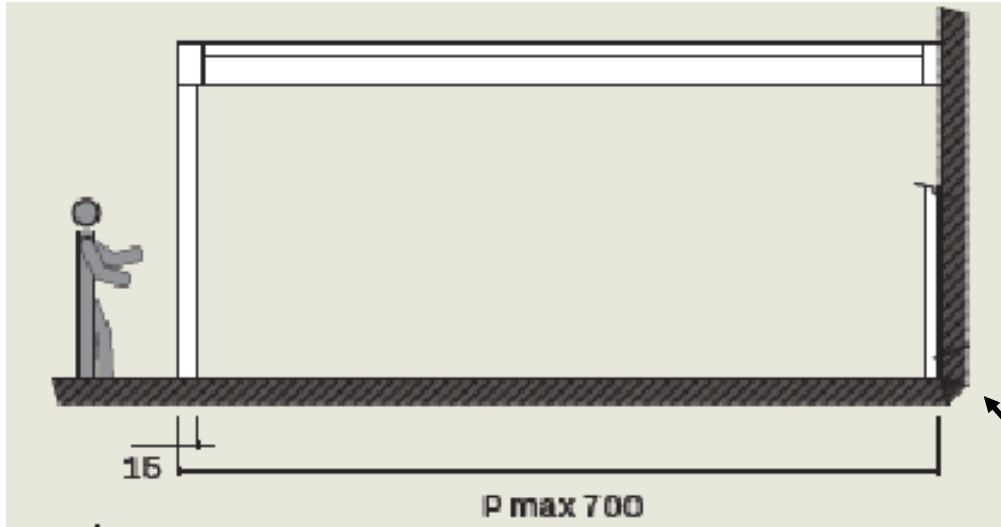
*NOTE: Maximum projection of the cover centered of structure

NOMO 02L : Wall Mounted and if multiple Coupled on projection side.

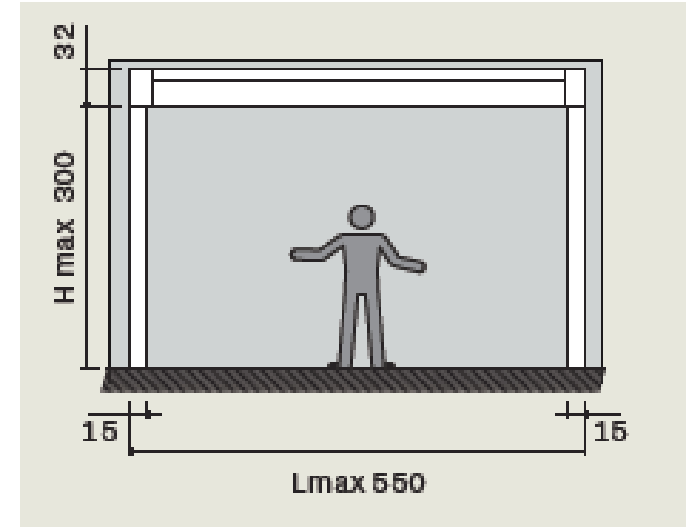


NOMO 02L : Wall Mounted con't.

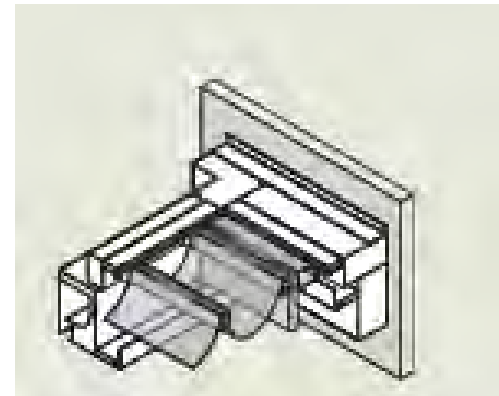
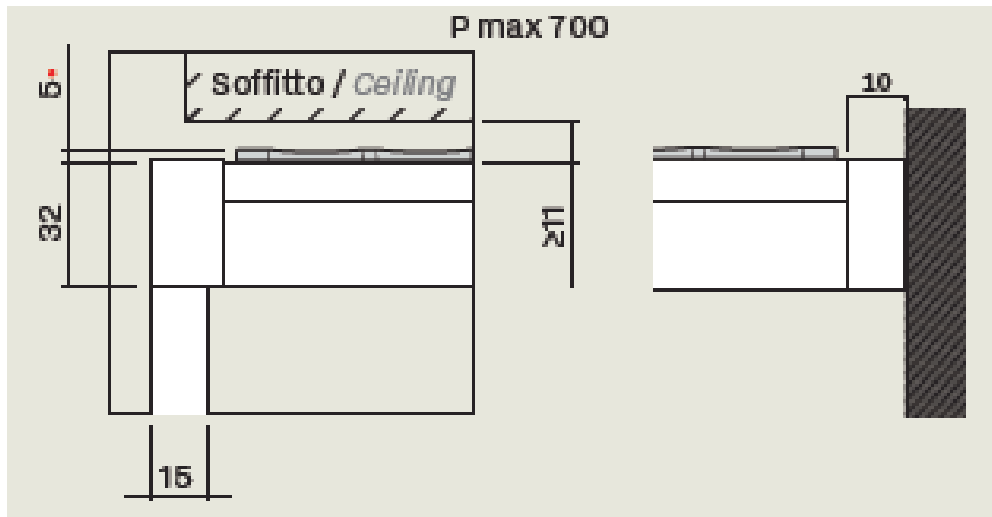
SIDE VIEW



FRONT VIEW

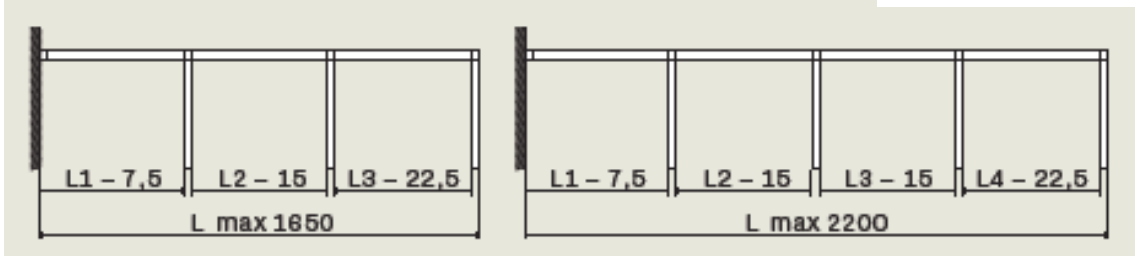
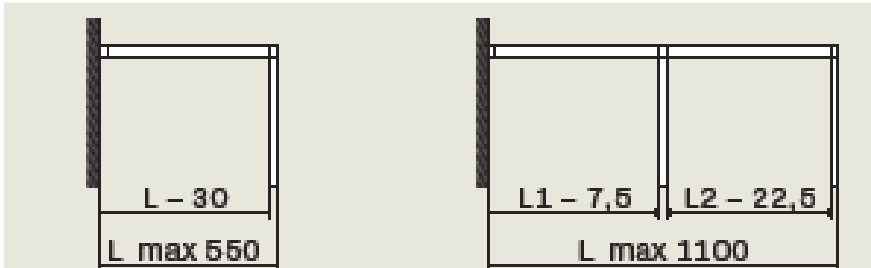
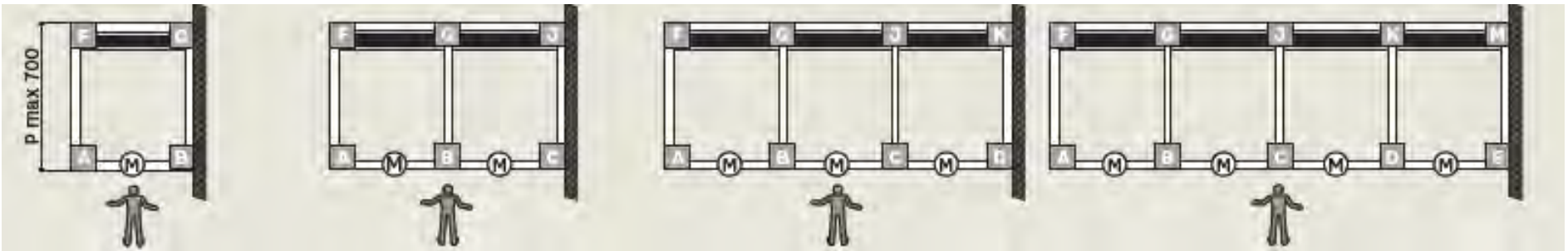


Compensation profile added with RASO screens 10 cm x 15 cm



*NOTE: Maximum projection of the cover centered of structure

NOMO 03L : Wall Mounted and if multiple Coupled on width side.

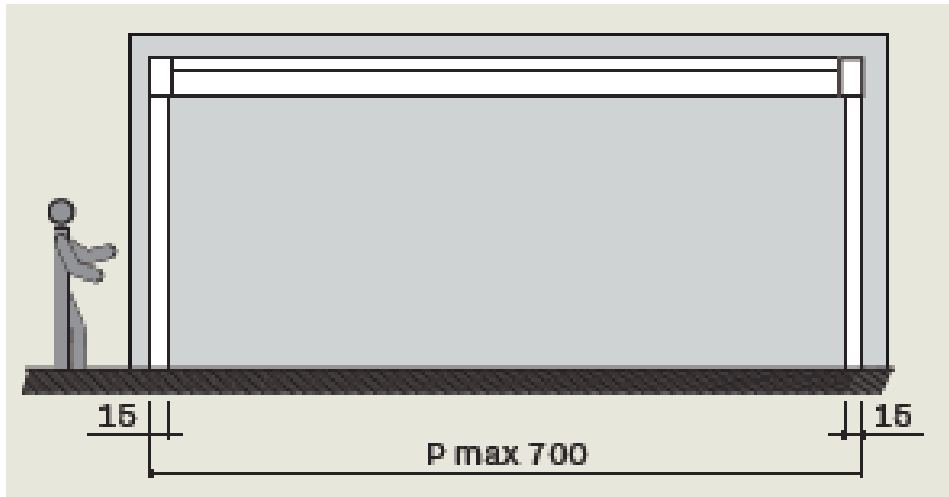


Note:

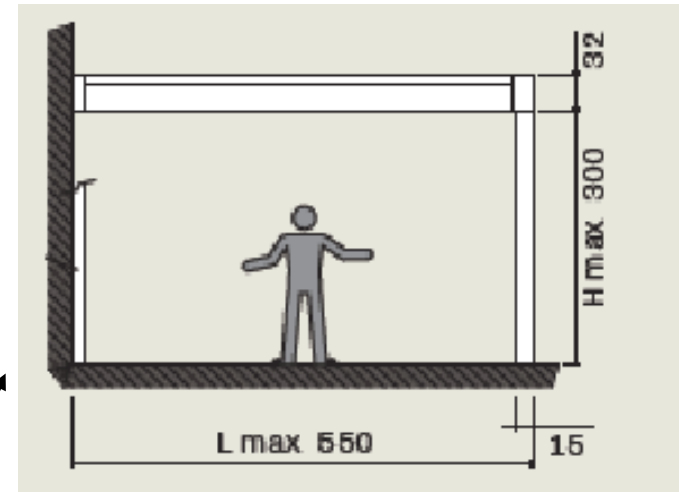
Drainage capability is reduced on this version due to one side being at the wall.

NOMO 03L : Wall Mounted con't.

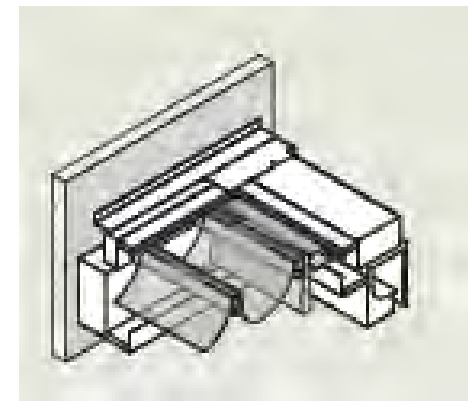
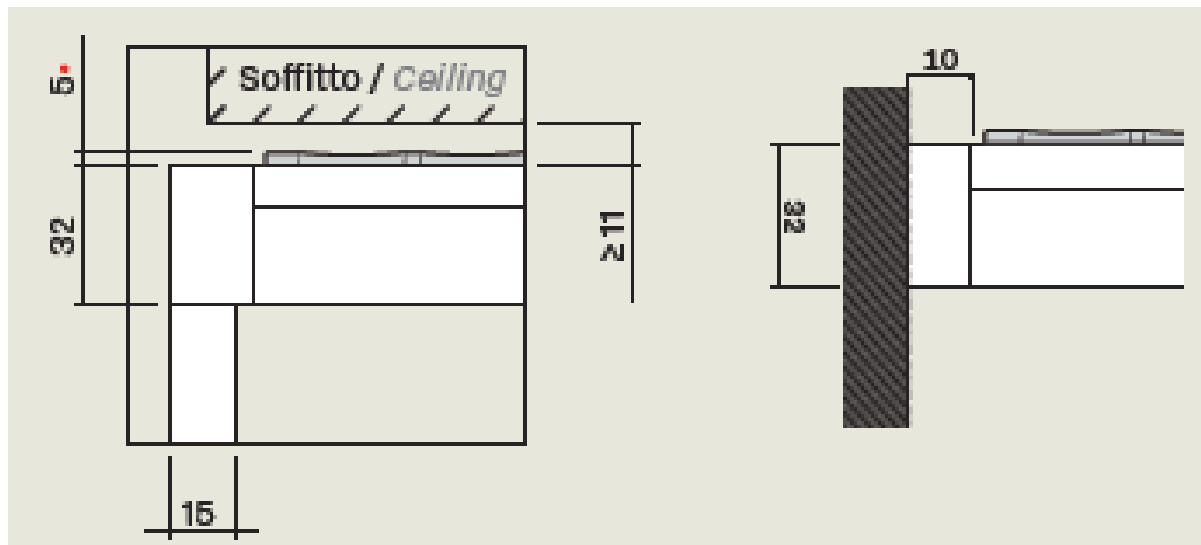
SIDE VIEW



FRONT VIEW

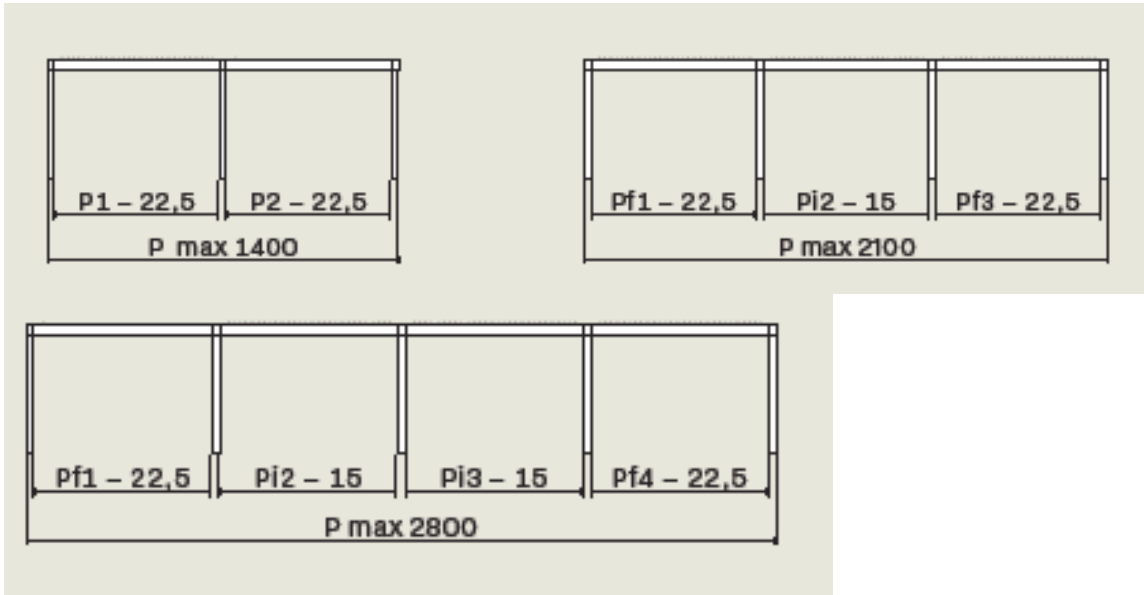
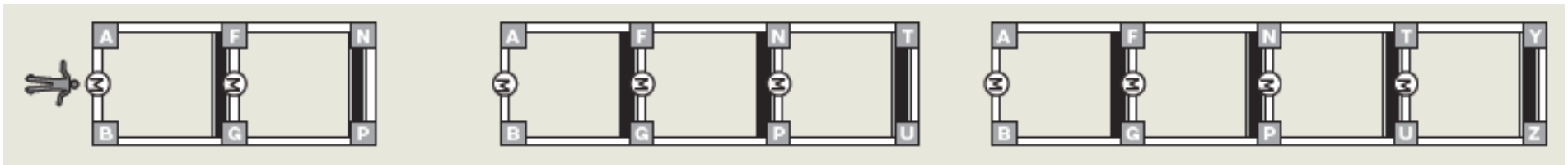


Compensation profile added with RASO screens $10 \text{ cm} \times 15 \text{ cm}$



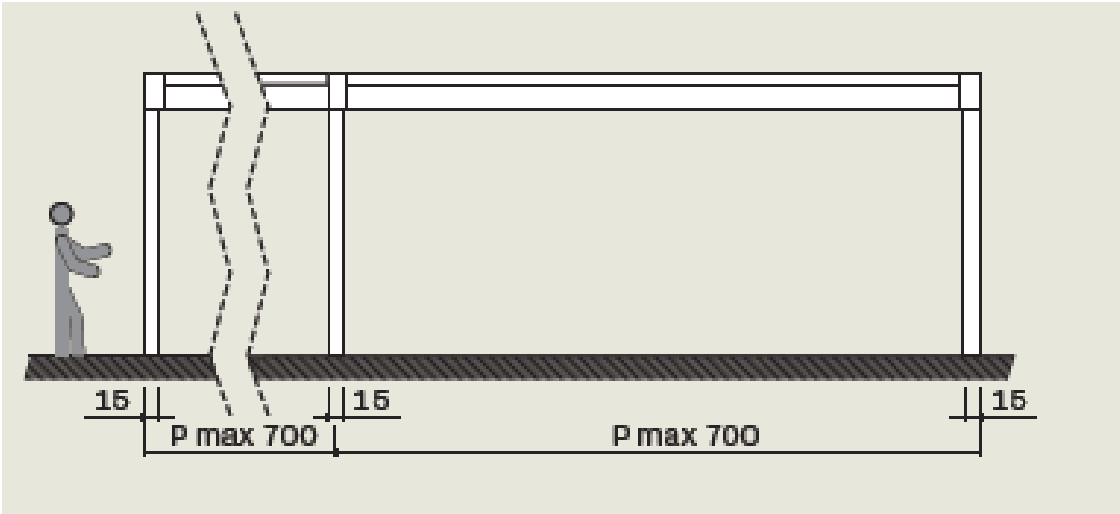
*NOTE: Maximum projection of the cover centered of structure

NOMO 01P : Free Standing and if multiple Coupled on width side.

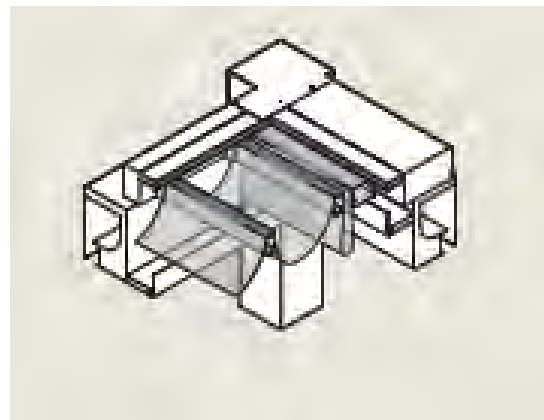
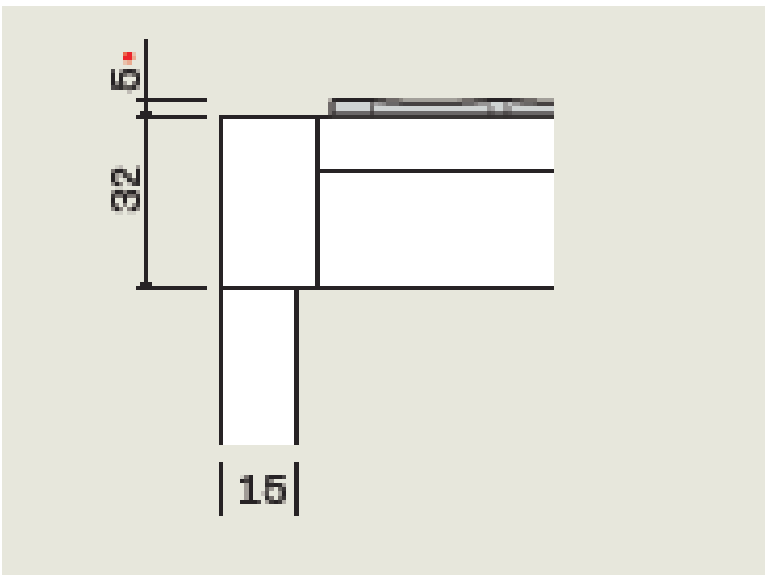
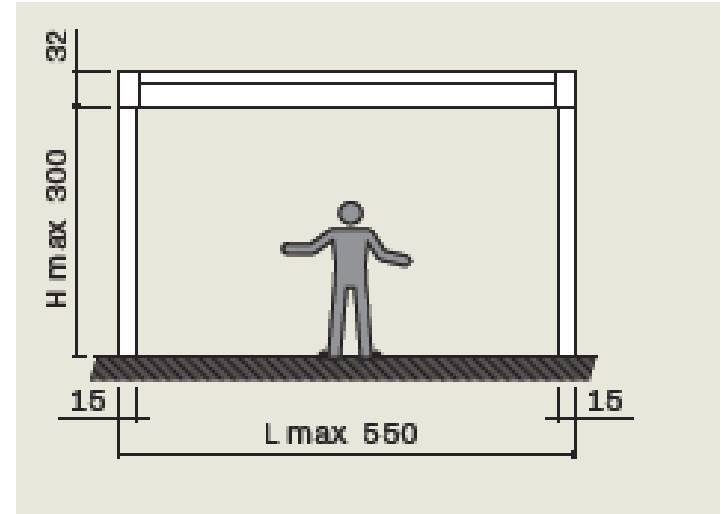


NOMO 01P : Free Standing con't.

SIDE VIEW

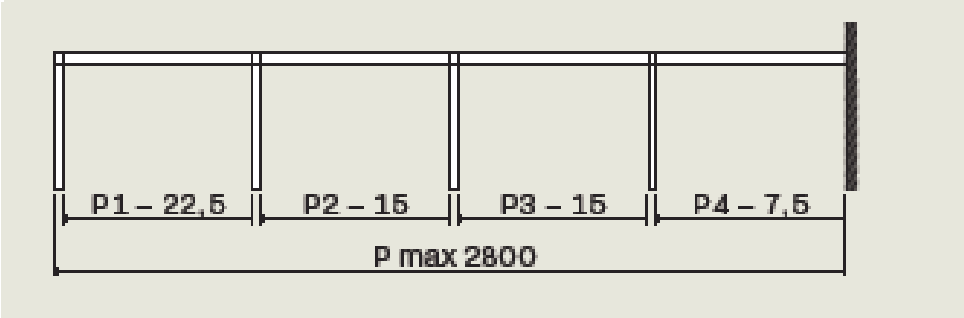
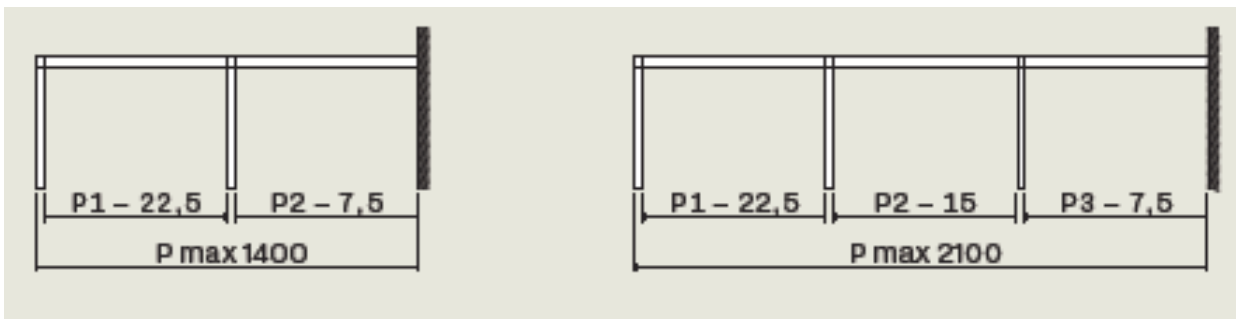
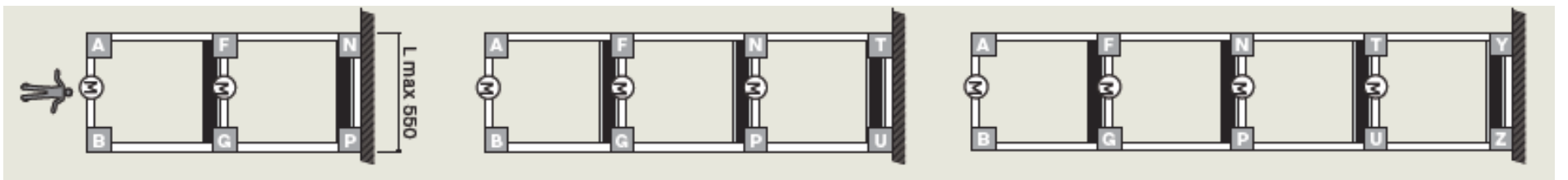


FRONT VIEW



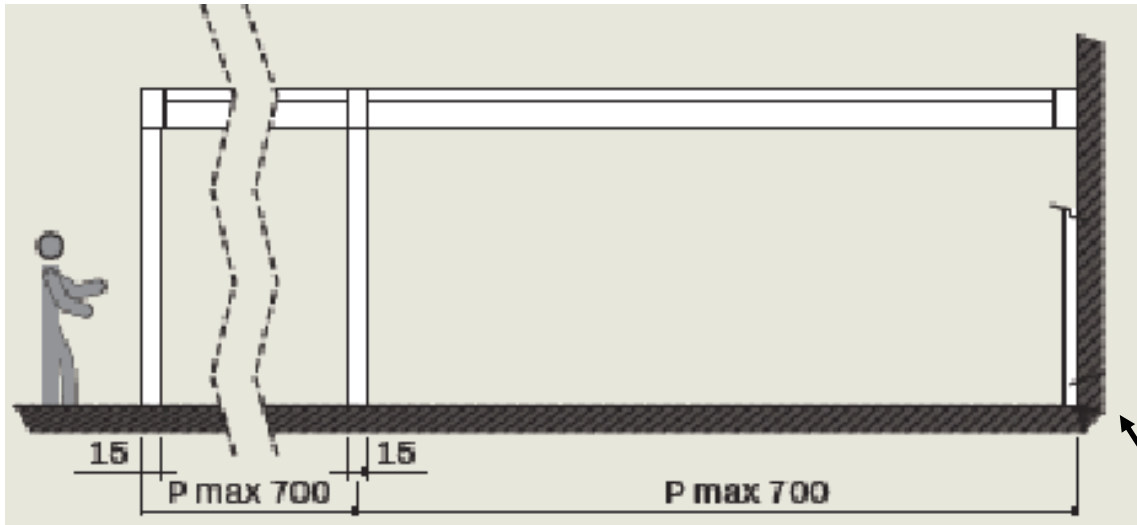
*NOTE: Maximum projection of the cover centered of structure

NOMO 02P : Wall Mounted and if multiple Coupled on width side.

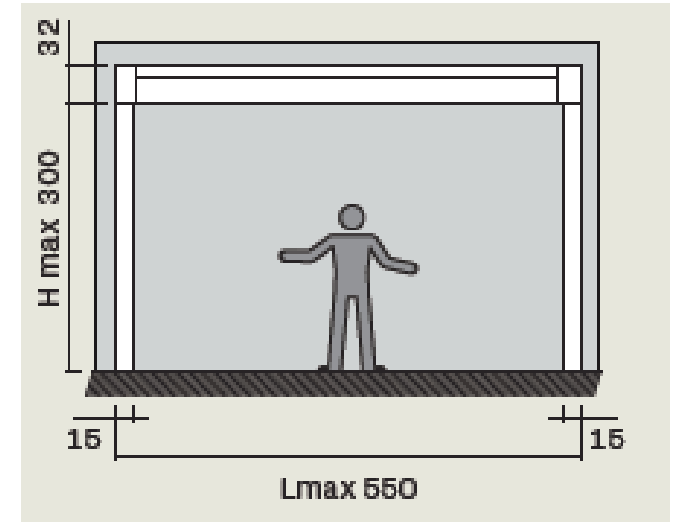


NOMO 02P : Wall Mounted con't.

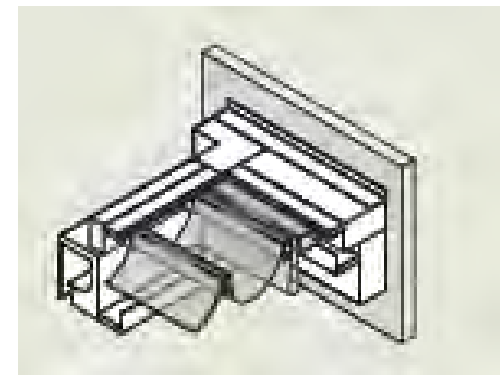
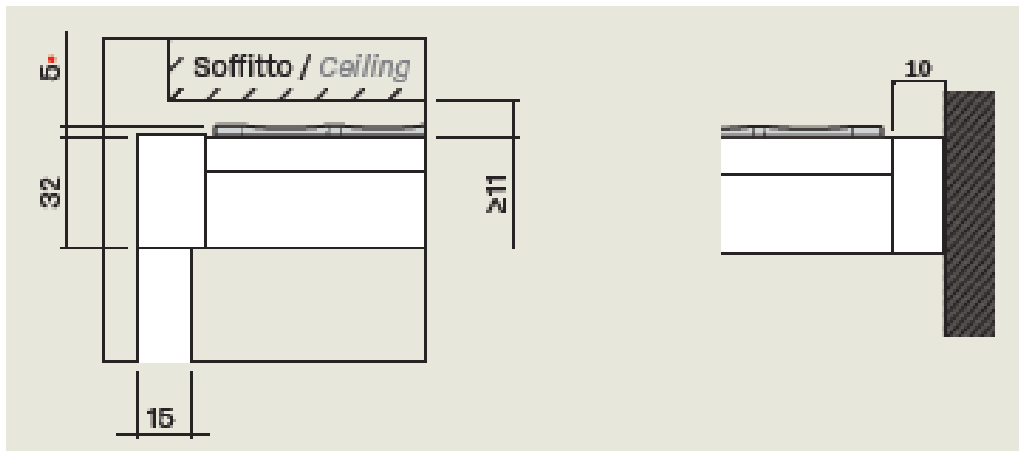
SIDE VIEW



FRONT VIEW

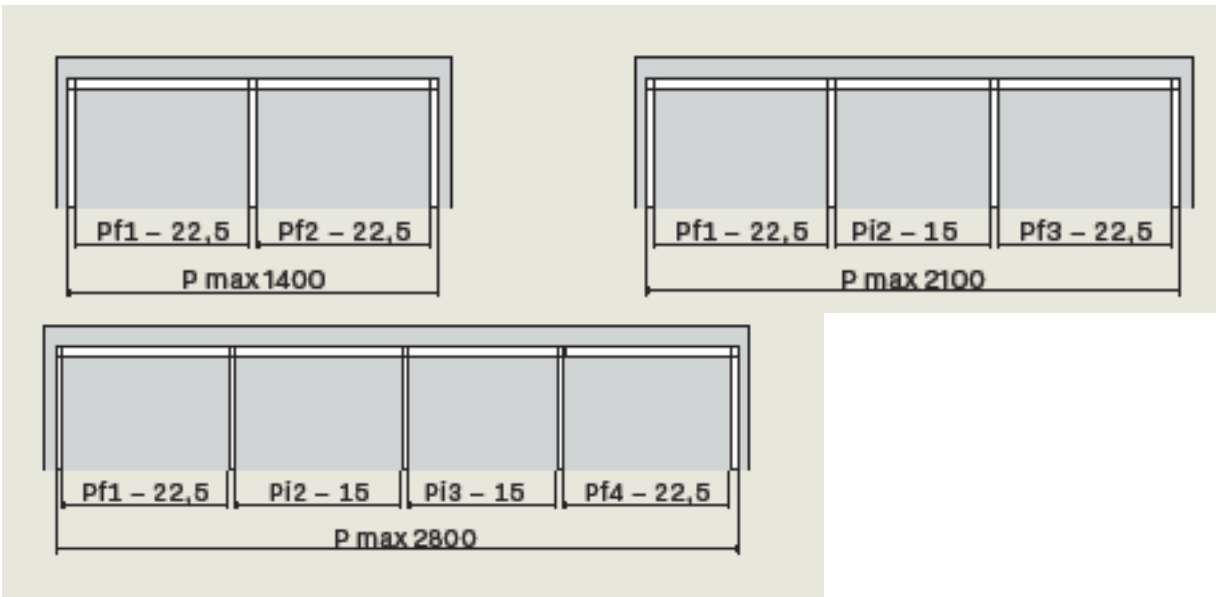
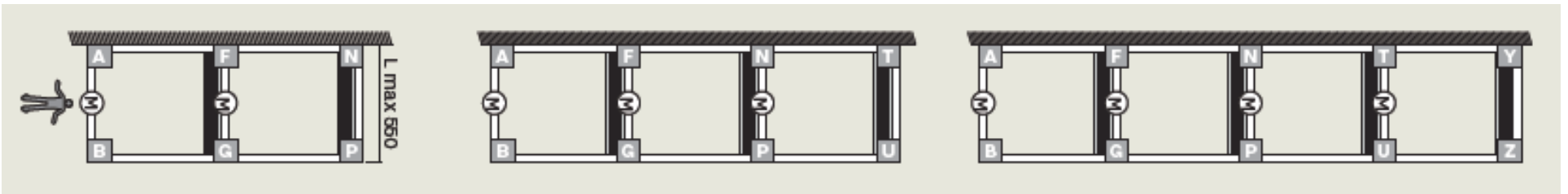
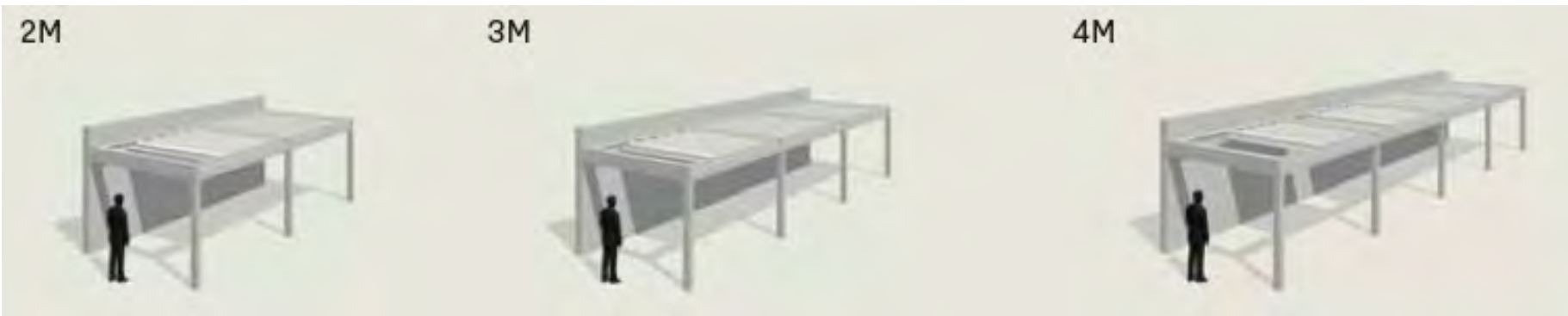


Compensation profile added with RASO screens 10 cm x 15 cm



*NOTE: Maximum projection of the cover centered of structure

NOMO 03P : Wall Mounted and if multiple Coupled on Projection side.

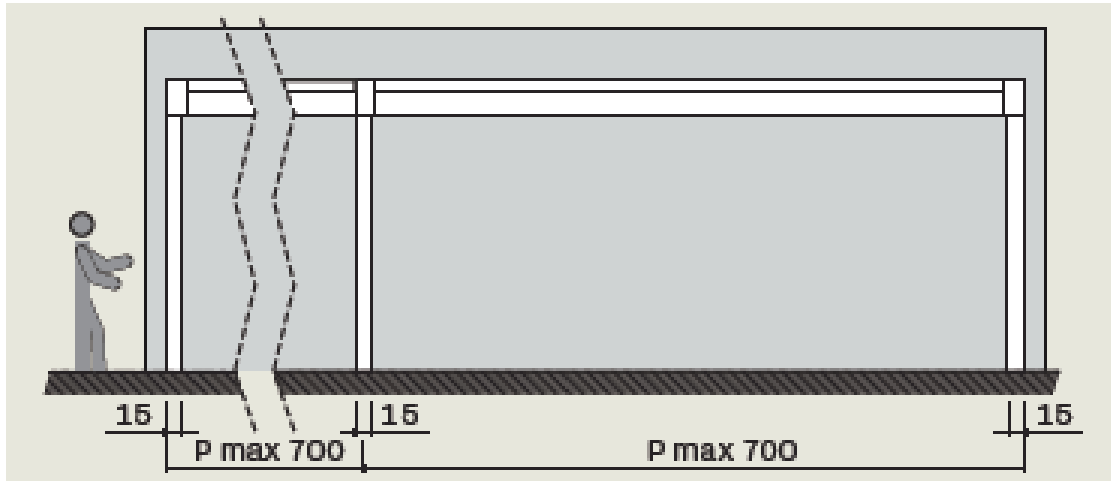


Note:

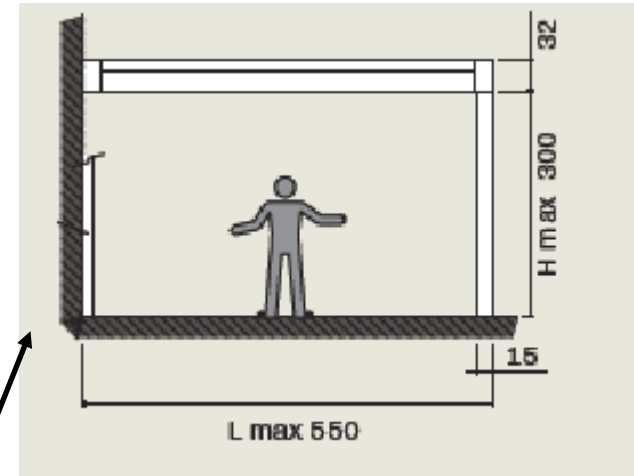
Drainage capability is reduced on this version due to one side being at the wall.

NOMO 03P : Wall Mounted con't.

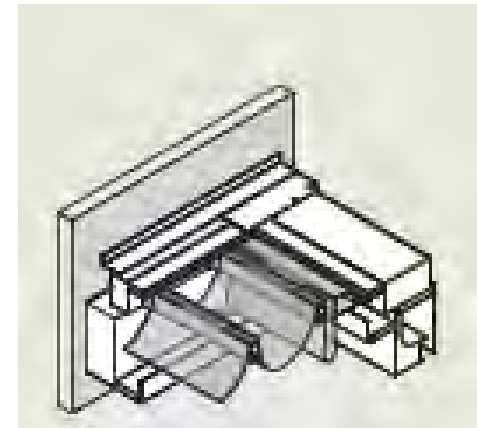
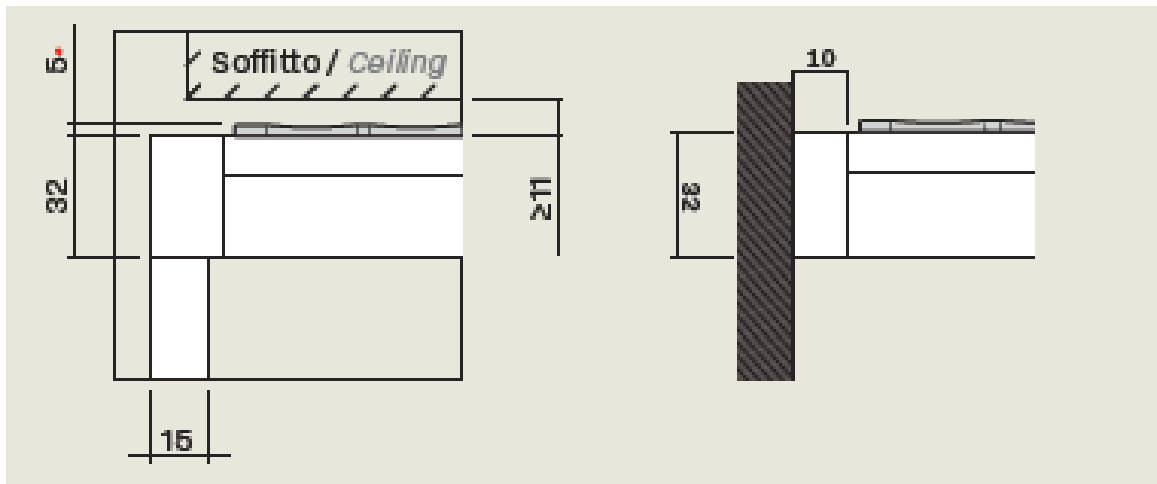
SIDE VIEW



FRONT VIEW



Compensation profile added with RASO screens 10 cm x 15 cm



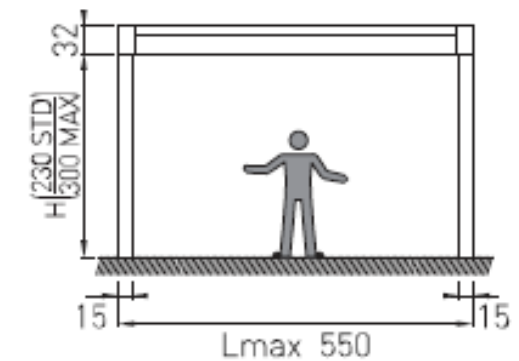
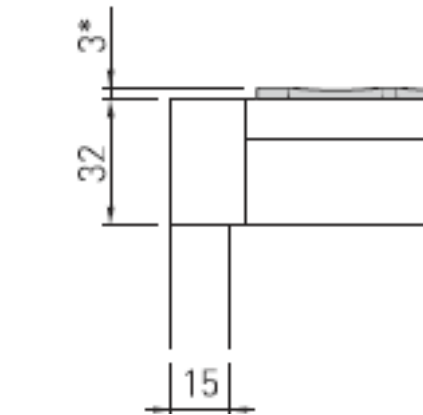
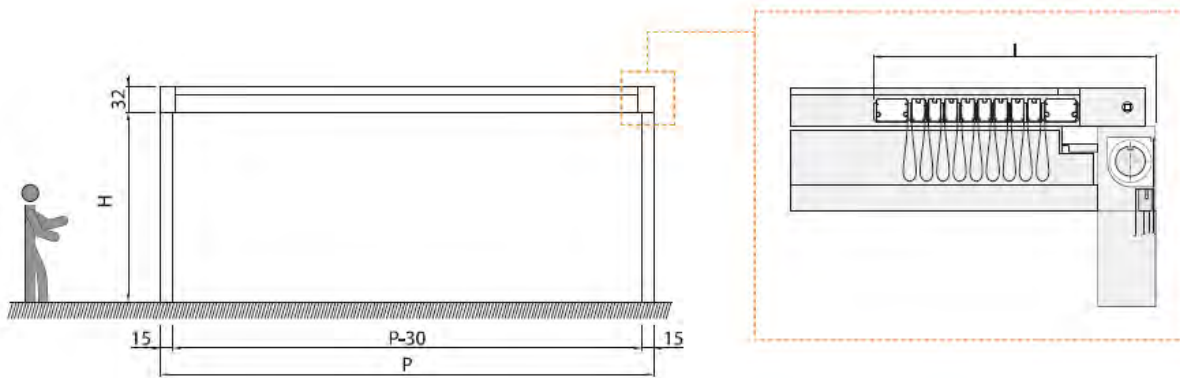
*NOTE: Maximum projection of the cover centered of structure

Multiple NOMO structures can be combined to cover larger spaces both in width and projection. To couple units together middle beams and posts are deducted from the configuration.

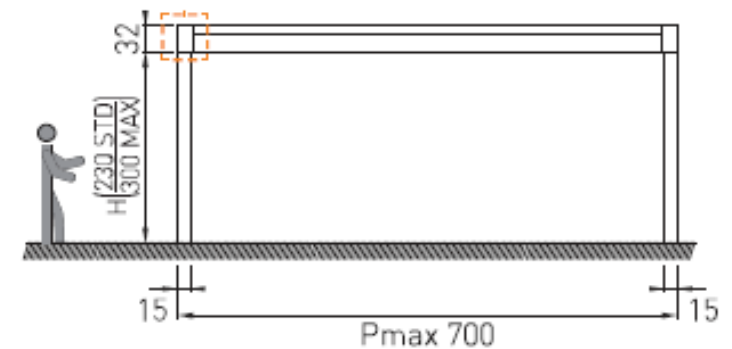
Max size one unit with 4 posts / 1 span fabric

L = width = from 6' 6" to 18' wide (550 cm)

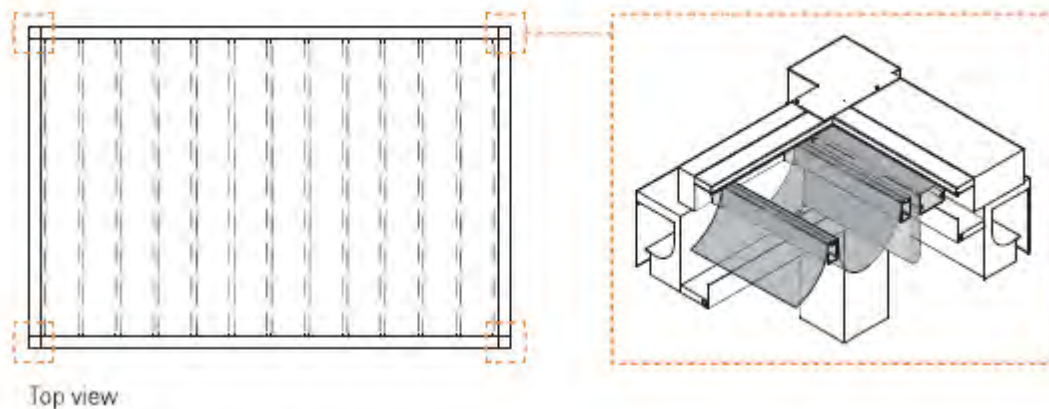
P = projection = from 6' 6" to 22' 11" projection (700 cm)



Front view



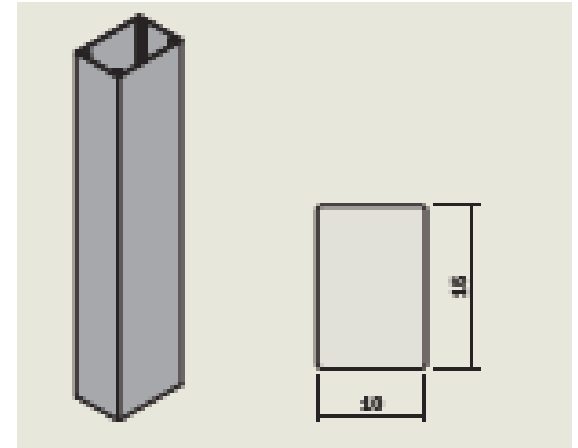
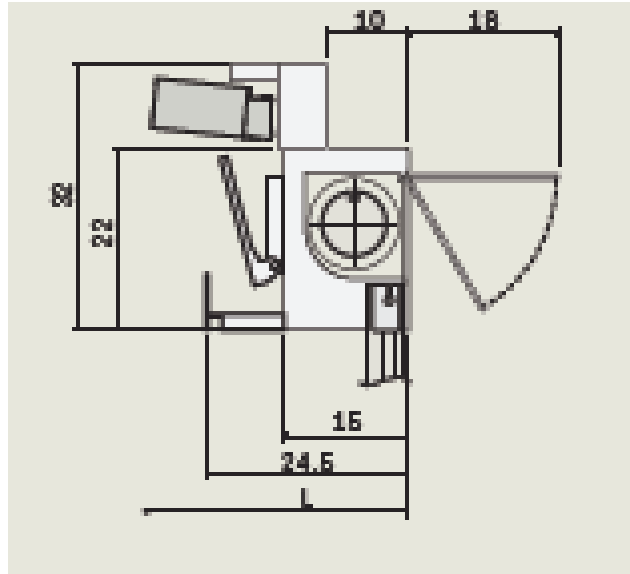
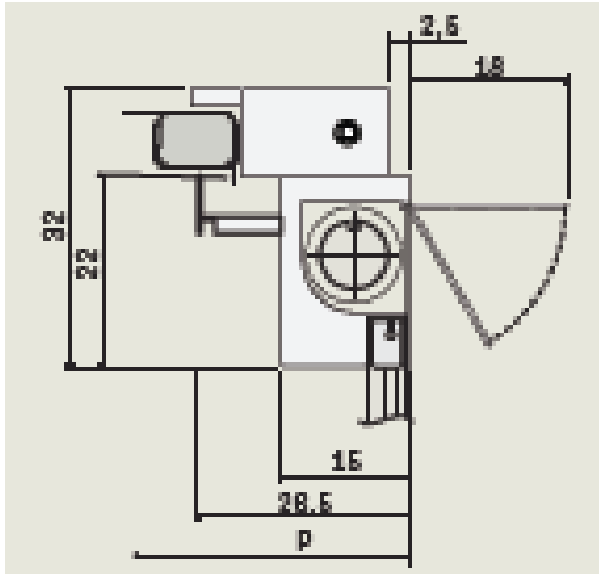
Side view



Top view

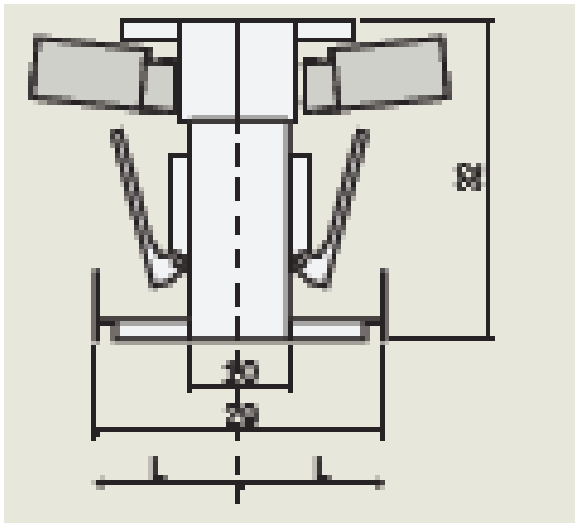
NOMO Technical Details.

Supporting Box Profile with Raso shown

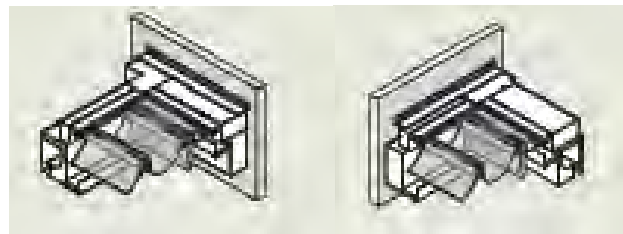
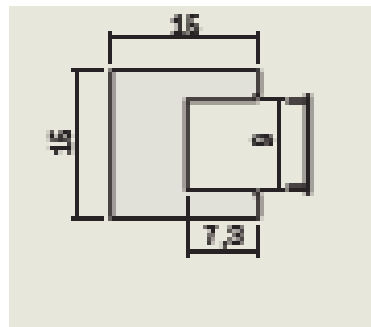


Compensation Profile 10 x 15 cm

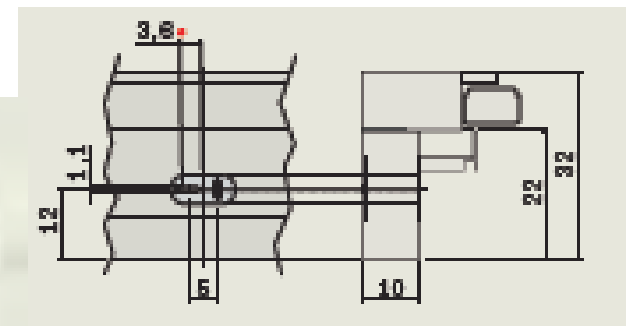
Intermediate Supporting Profile



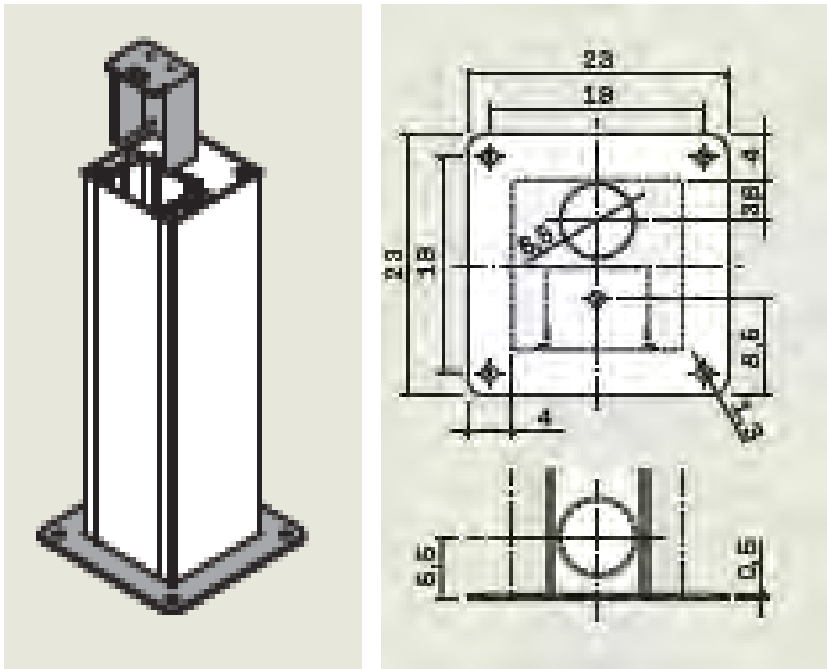
Post Profile



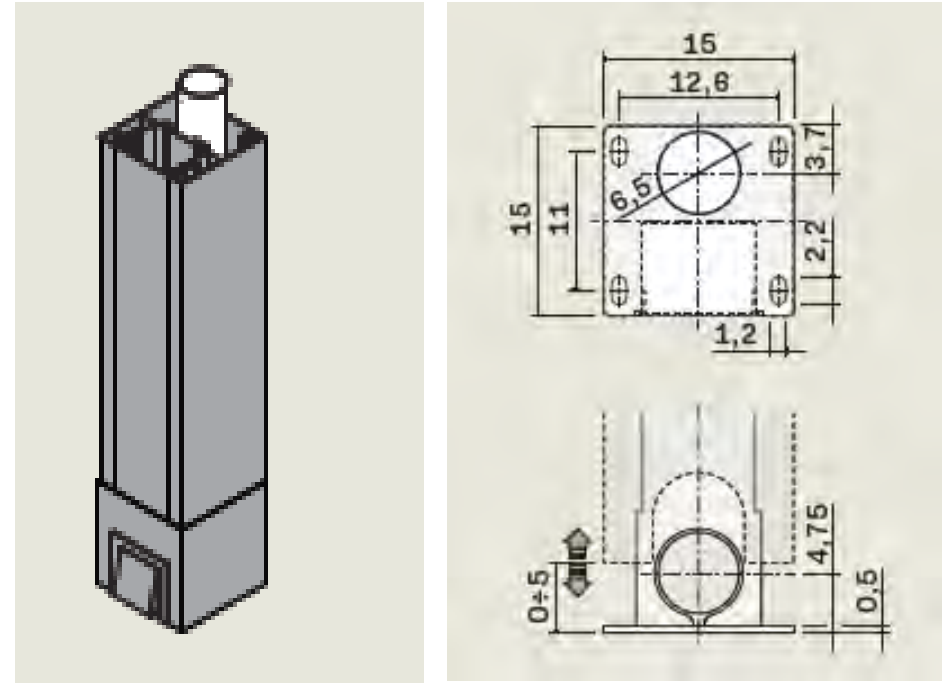
Wall Mounting With Profile



NOMO Post options.



STANDARD POST & FOOT PLATE



TELESCOPING FEET

POST HEIGHTS:

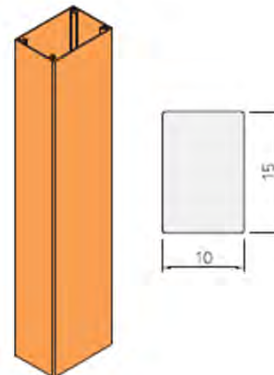
Standard under gutter 90" (230 cm)

Up to 98" no additional cost. (250 cm)

Above 98" extra cost per post.

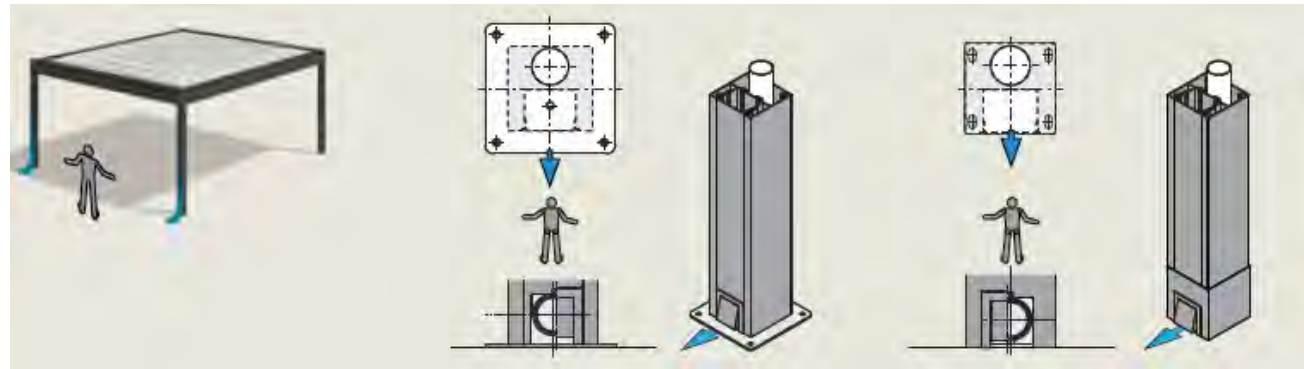
NOMO: Max height posts 118" (300 cm)

Post profile For compensation to the wall of RASO awning fixing (only for versions 02L or 02P), it is supplied as standard if the Raso awning is ordered together with the structure. The fixing method of the post profile is at the discretion of the installer.

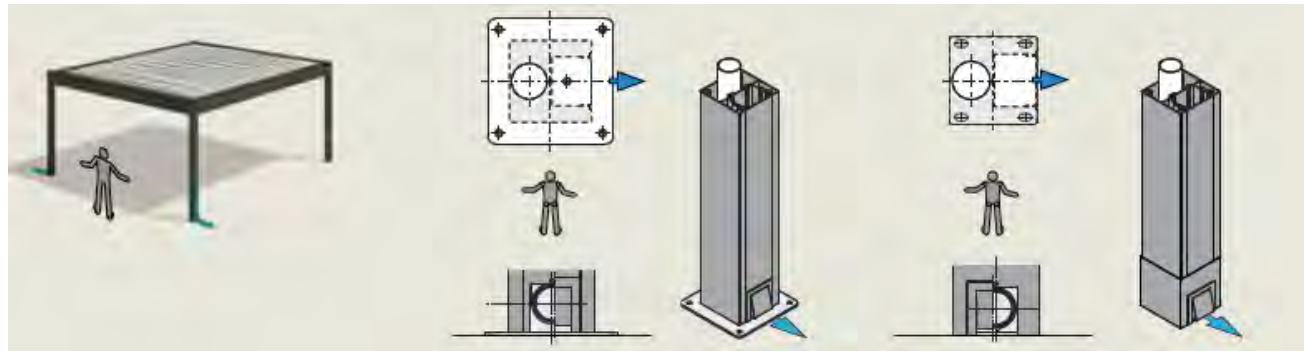


NOMO Post drainage options.

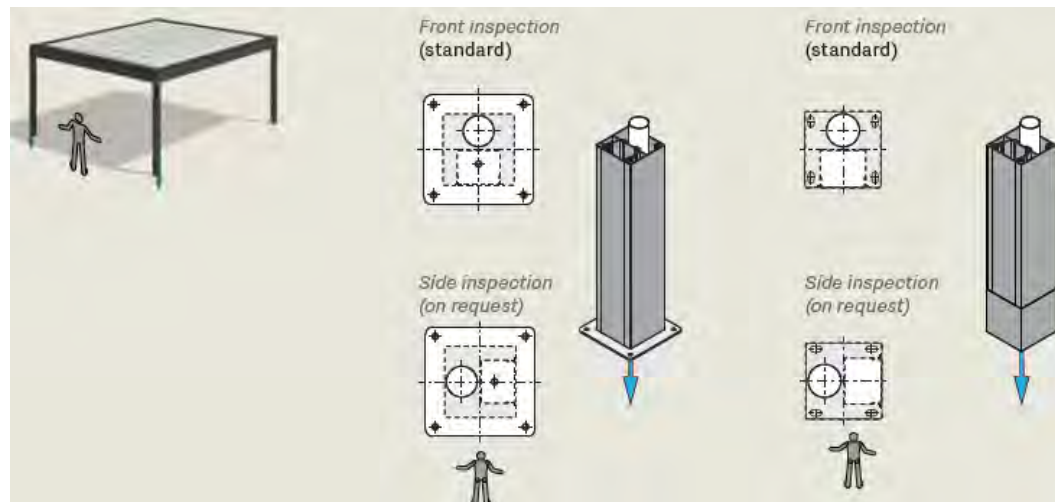
Front drainage option



Side drainage option

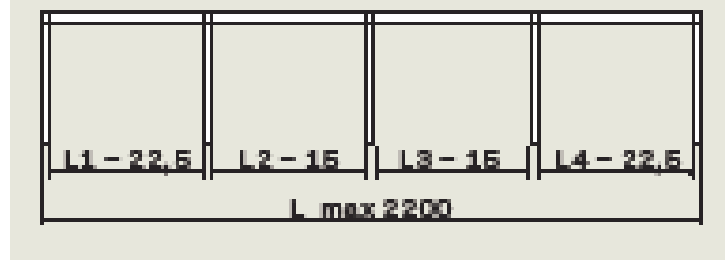
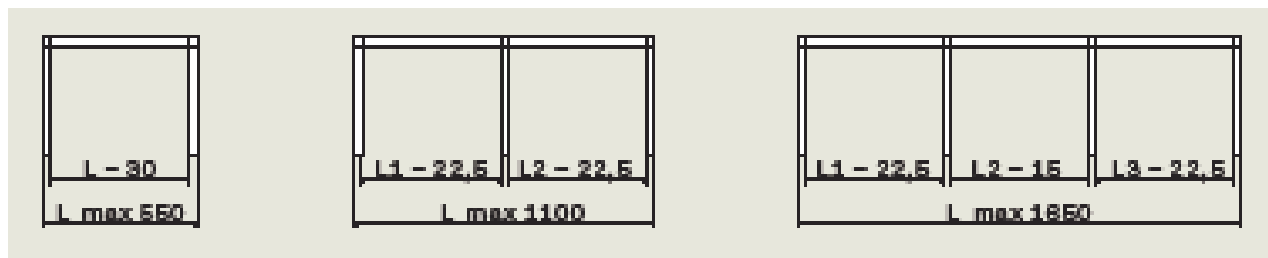
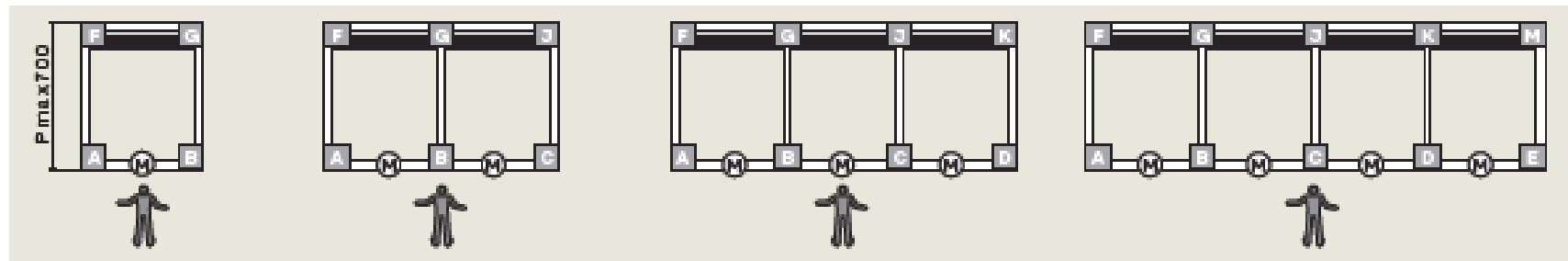


Down drainage option



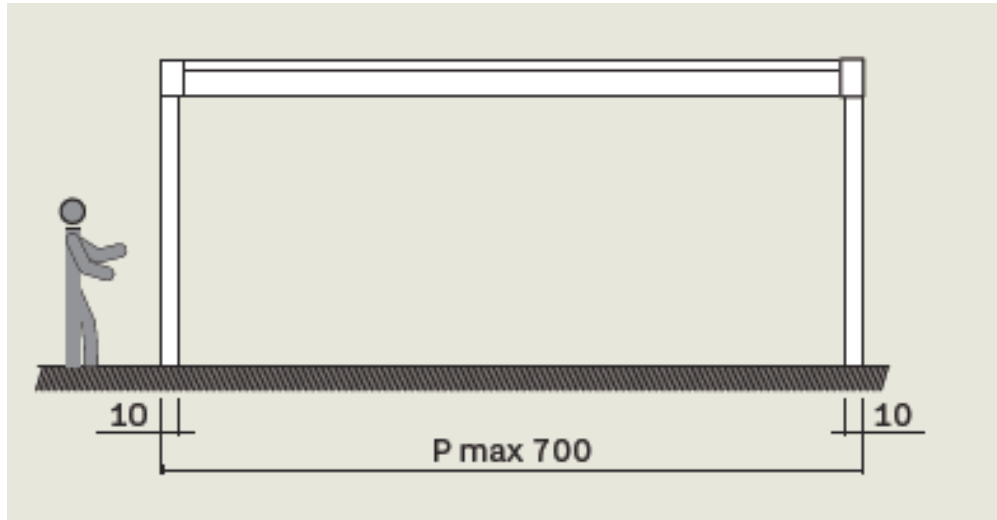
RIALTO

01L : Free standing and if multiple Coupled on projection side.

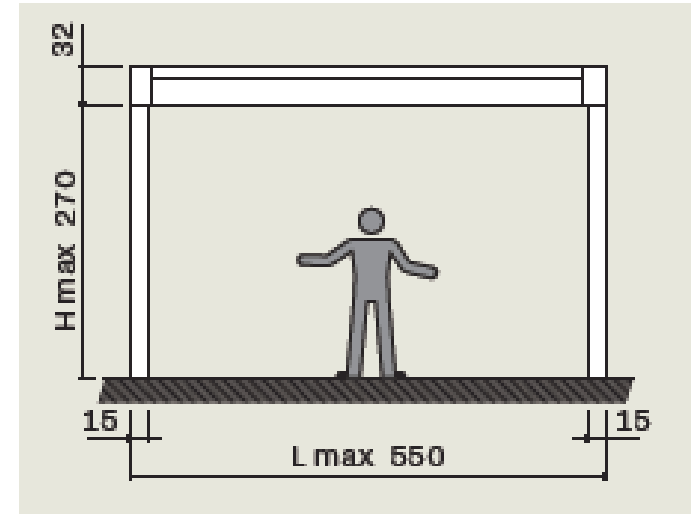


01L : RIALTO Free standing con't.

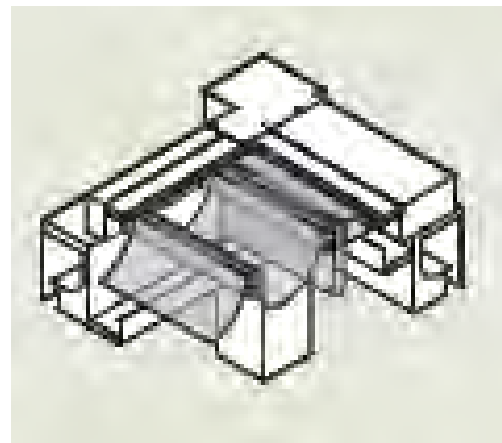
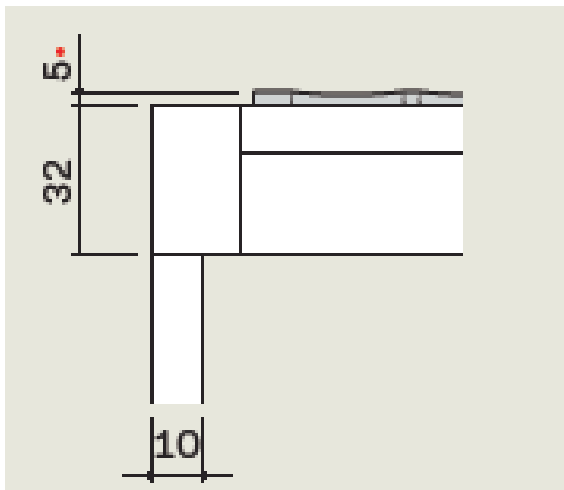
SIDE VIEW



FRONT VIEW

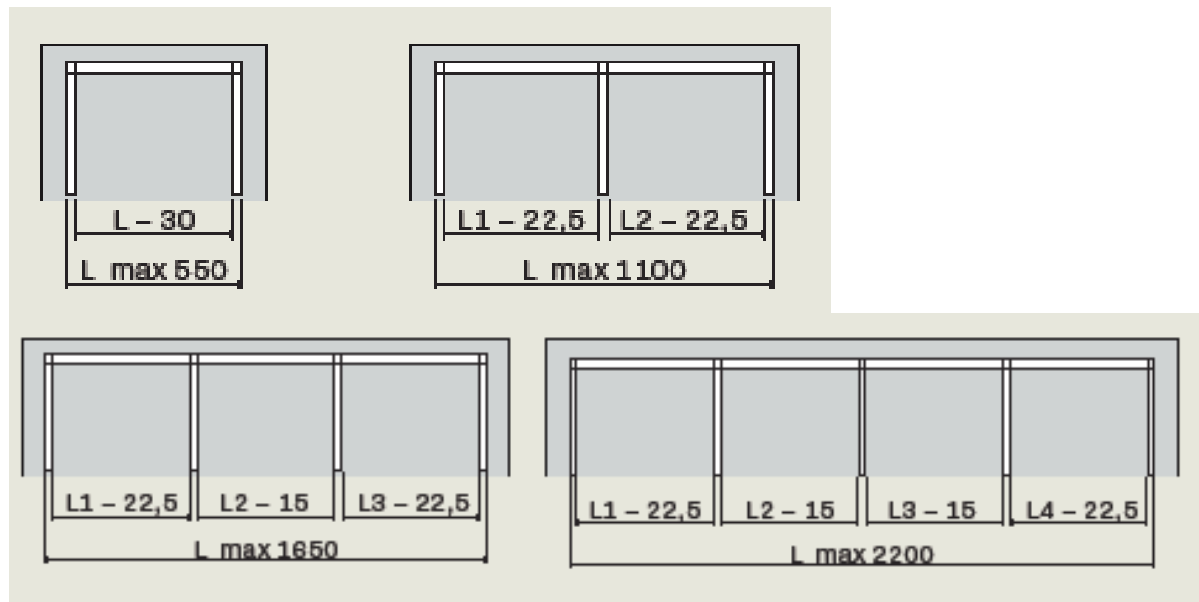
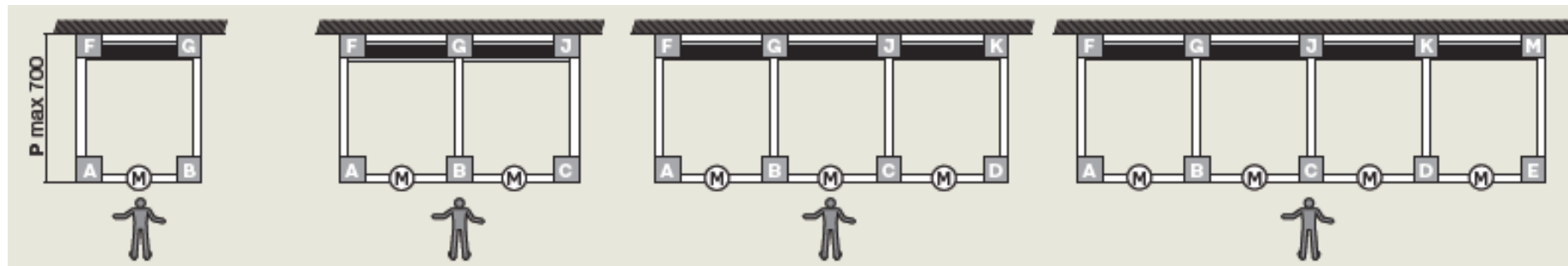


*NOTE: Maximum projection of the cover centered on post at front



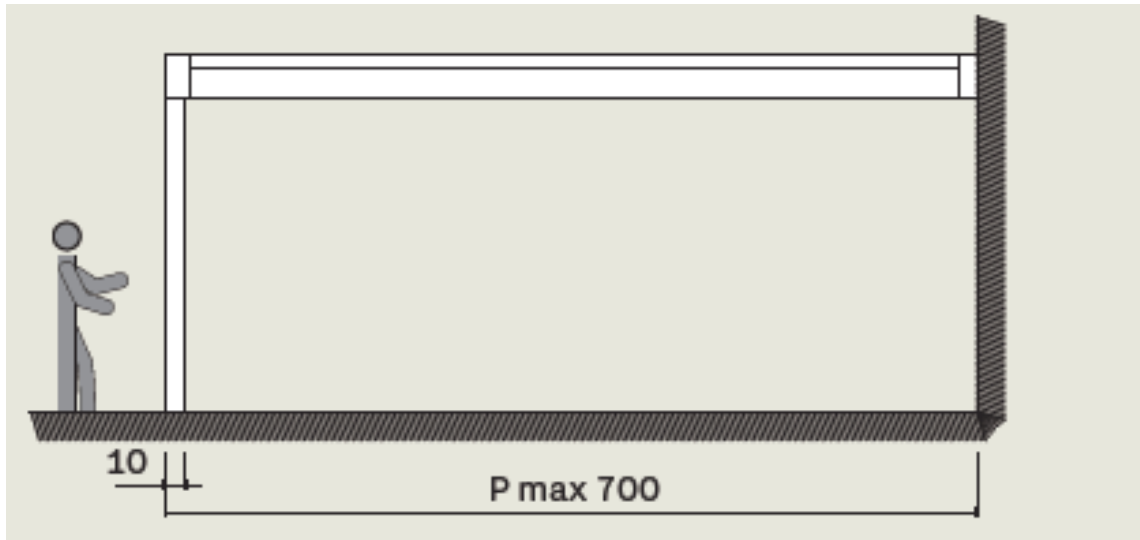
*NOTE: Maximum projection of the cover centered of structure

RIALTO 02L : Wall Mounted and if multiple Coupled on projection side.

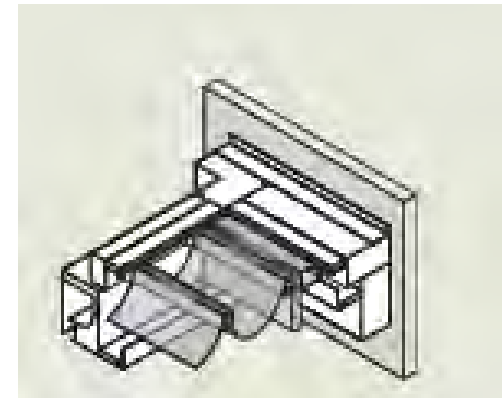
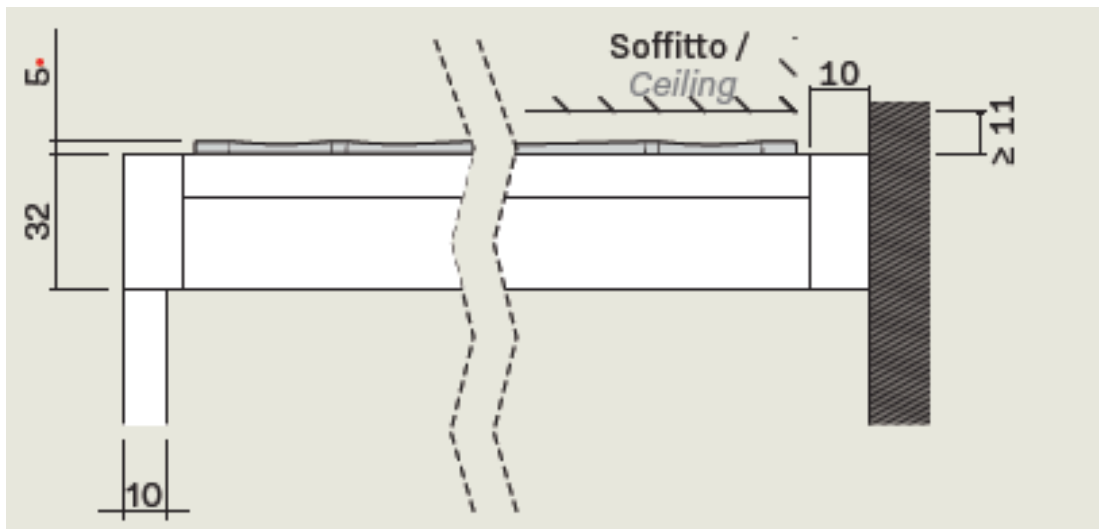
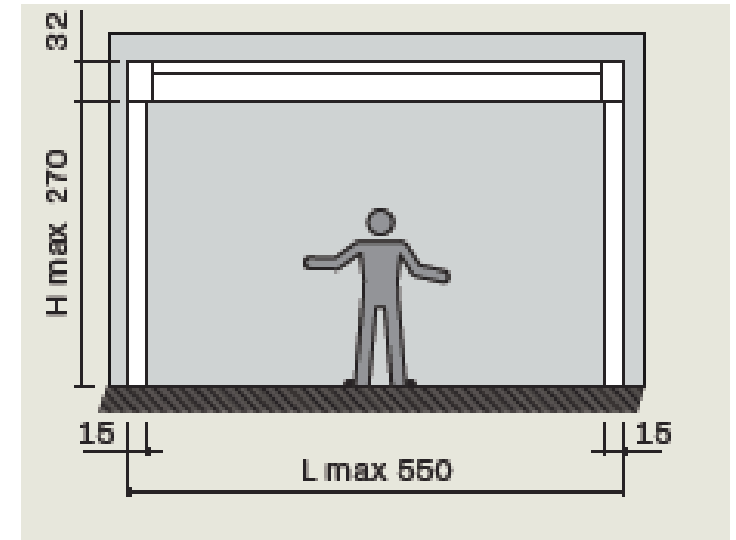


RIALTO 02L : Wall Mounted con't.

SIDE VIEW

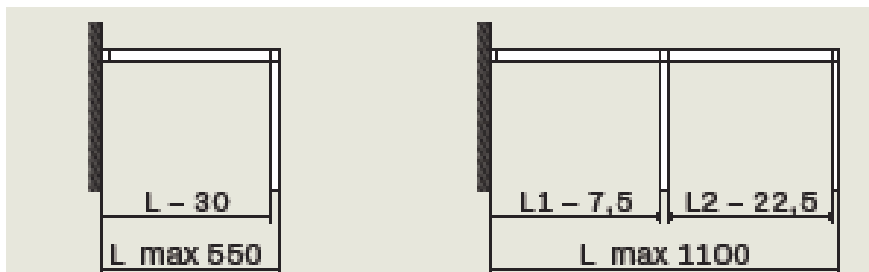
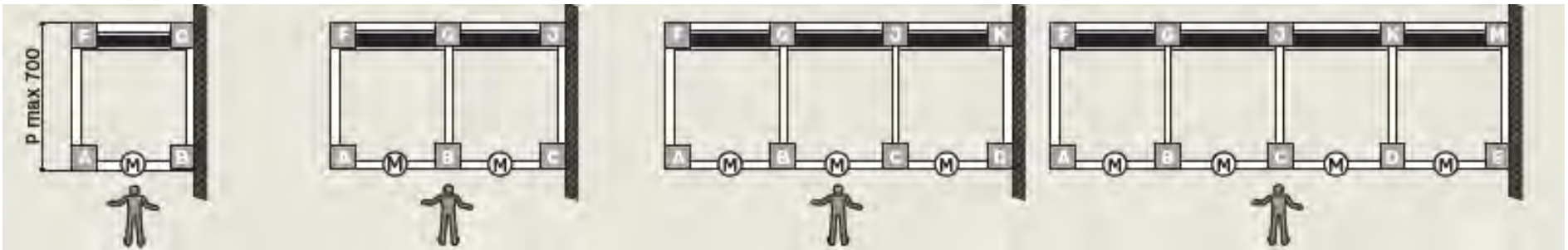


FRONT VIEW



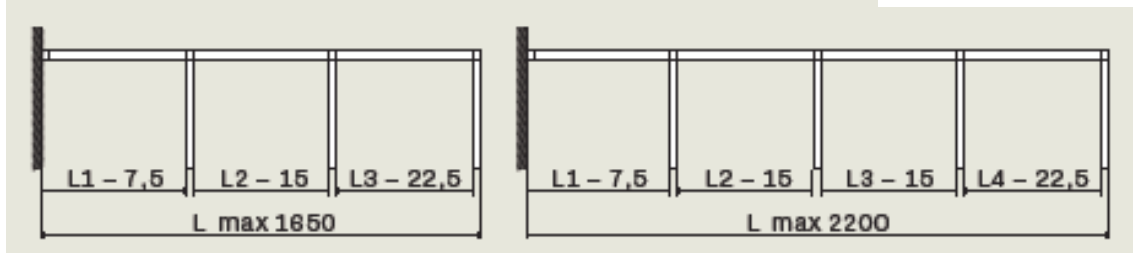
*NOTE: Maximum projection of the cover centered on post at front

RIALTO 03L : Wall Mounted and if multiple Coupled on width side.



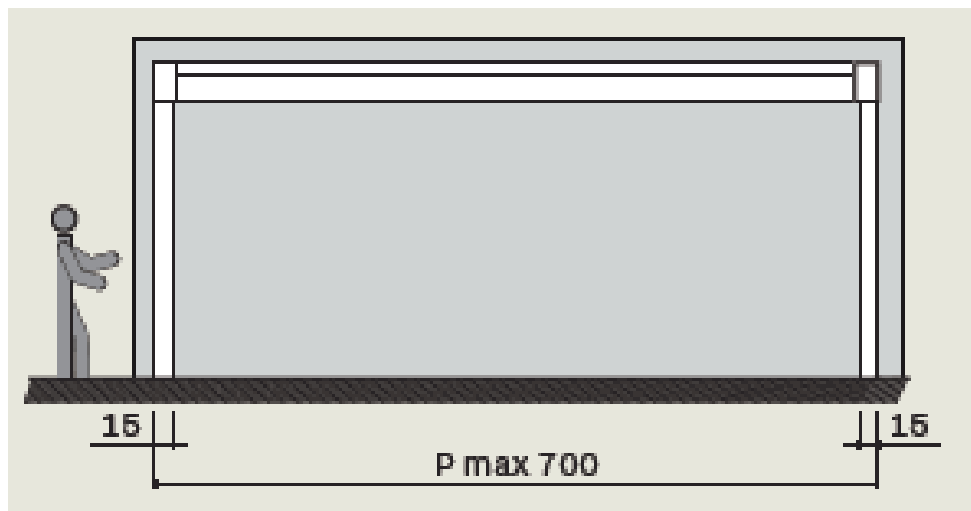
Note:

Drainage capability is reduced on this version due to one side being at the wall.

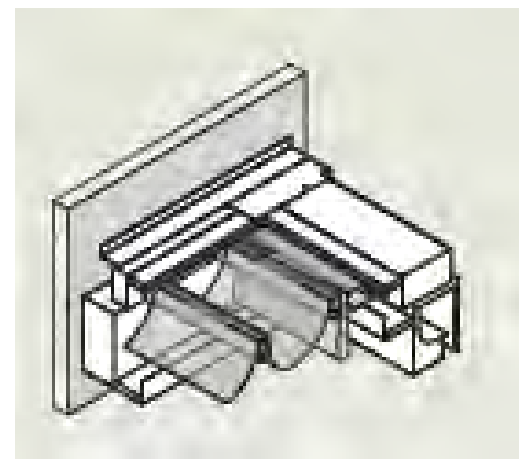
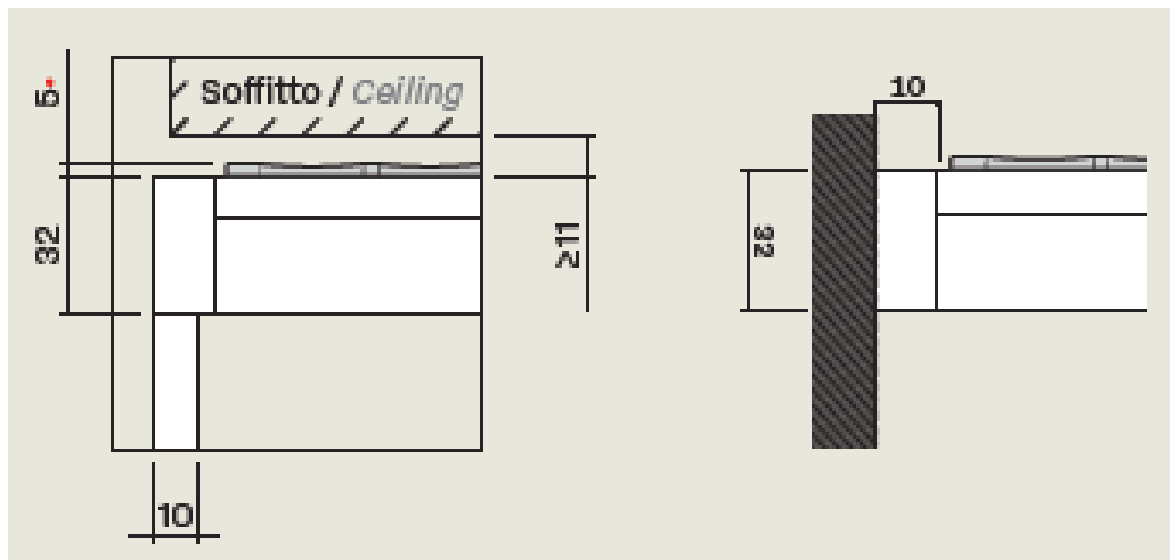
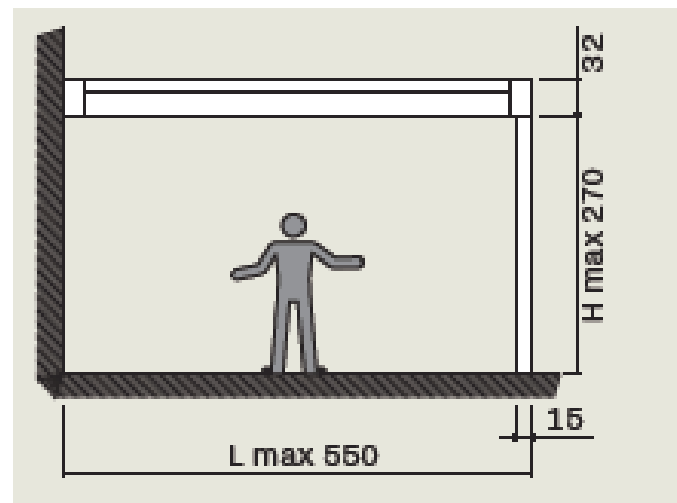


RIALTO 03L : Wall Mounted con't.

SIDE VIEW

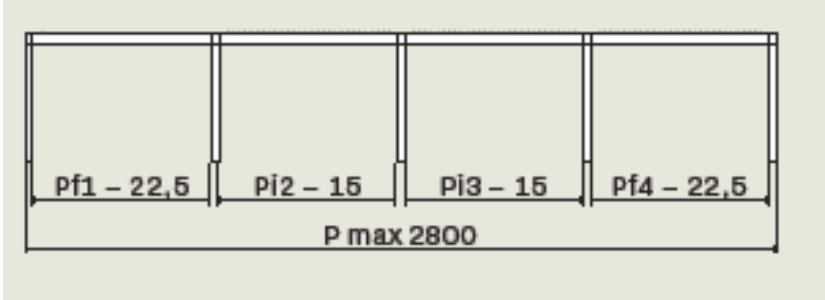
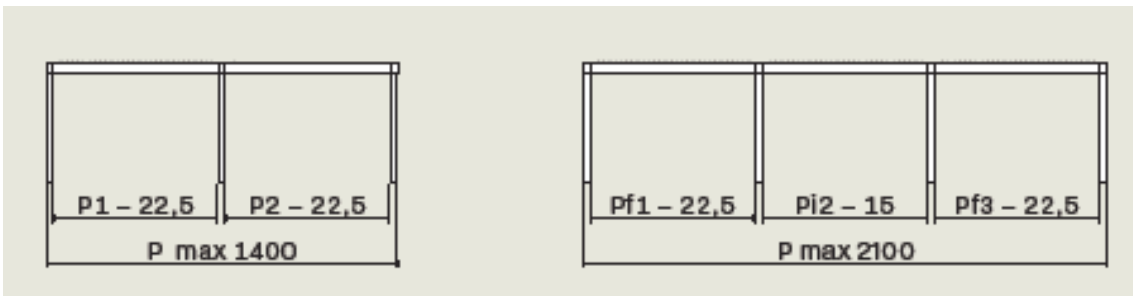
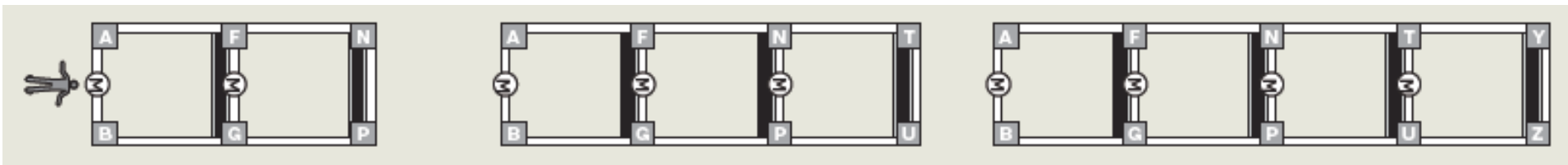


FRONT VIEW



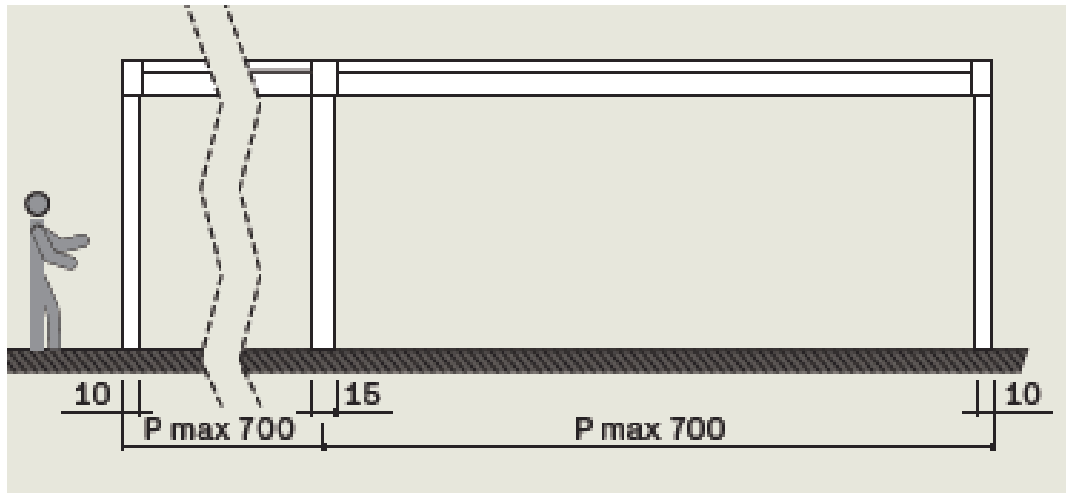
*NOTE: Maximum projection of the cover centered on post at front

RIALTO 01P : Free Standing and if multiple Coupled on width side.

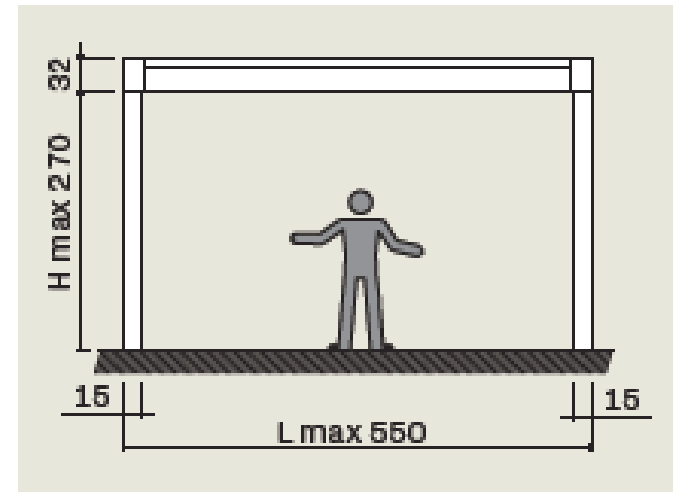


RIALTO 01P : Free Standing con't.

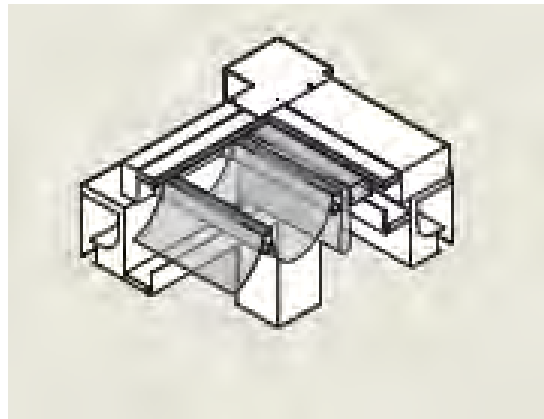
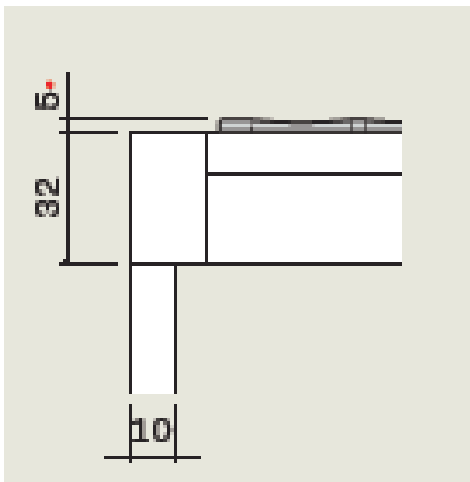
SIDE VIEW



FRONT VIEW

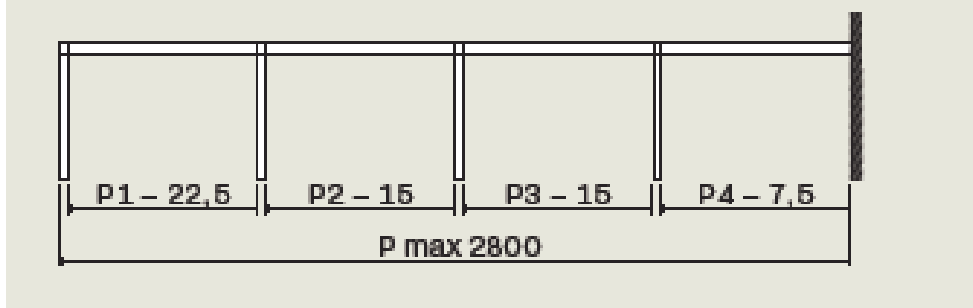
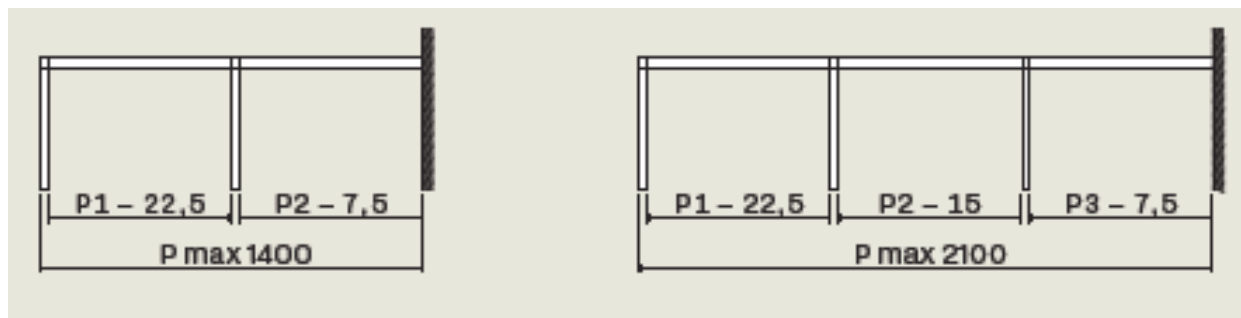
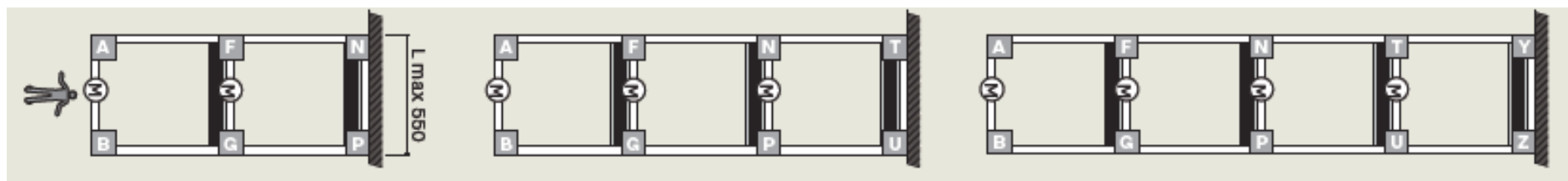


*NOTE: Maximum projection of the cover centered on post at



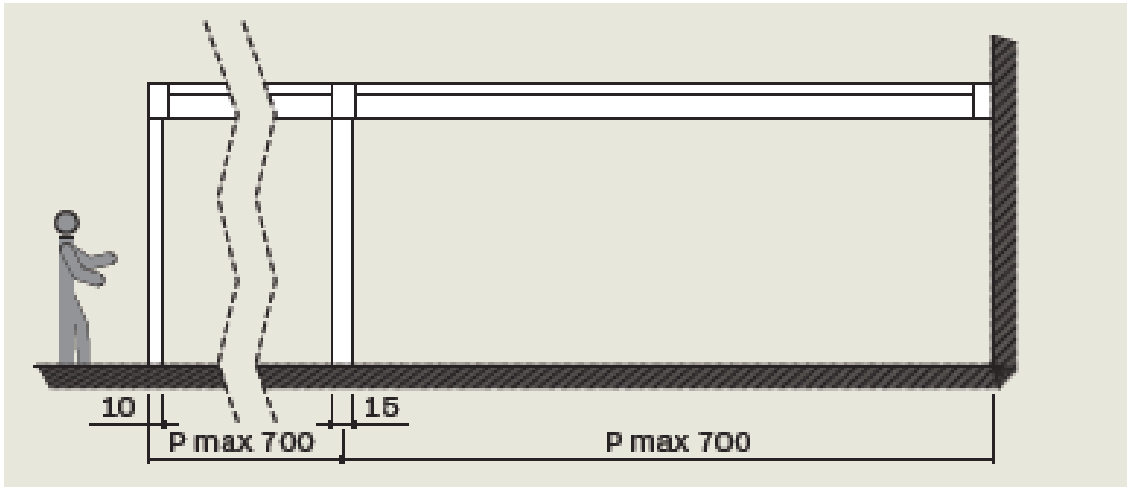
*NOTE: Maximum projection of the cover centered on post at front

RIALTO 02P : Wall Mounted and if multiple Coupled on width side.

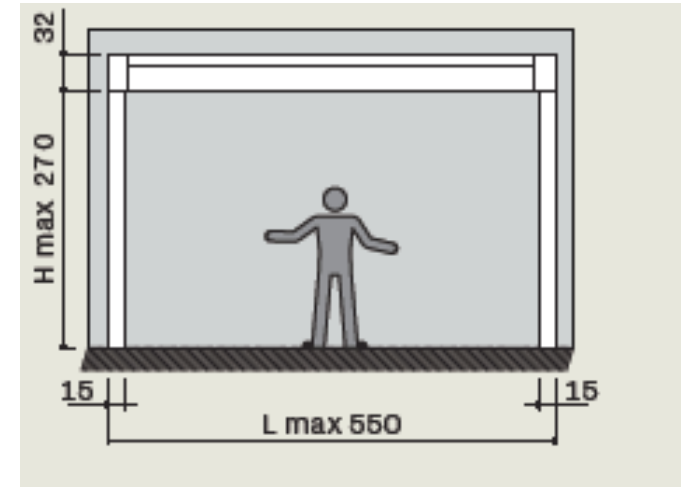


RIALTO 02P : Wall Mounted con't.

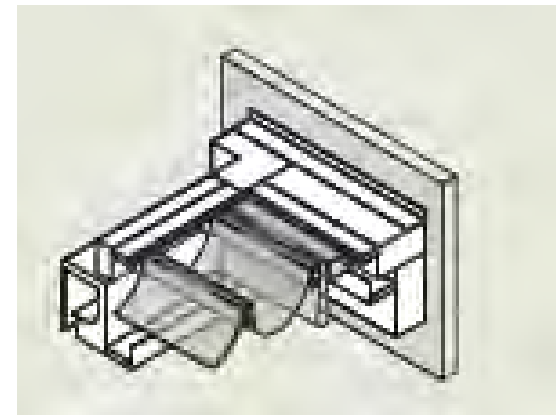
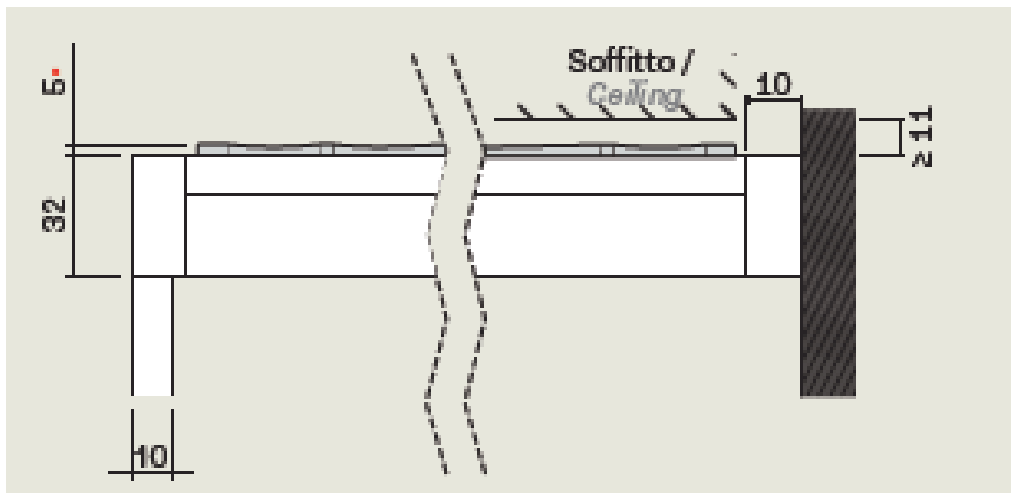
SIDE VIEW



FRONT VIEW

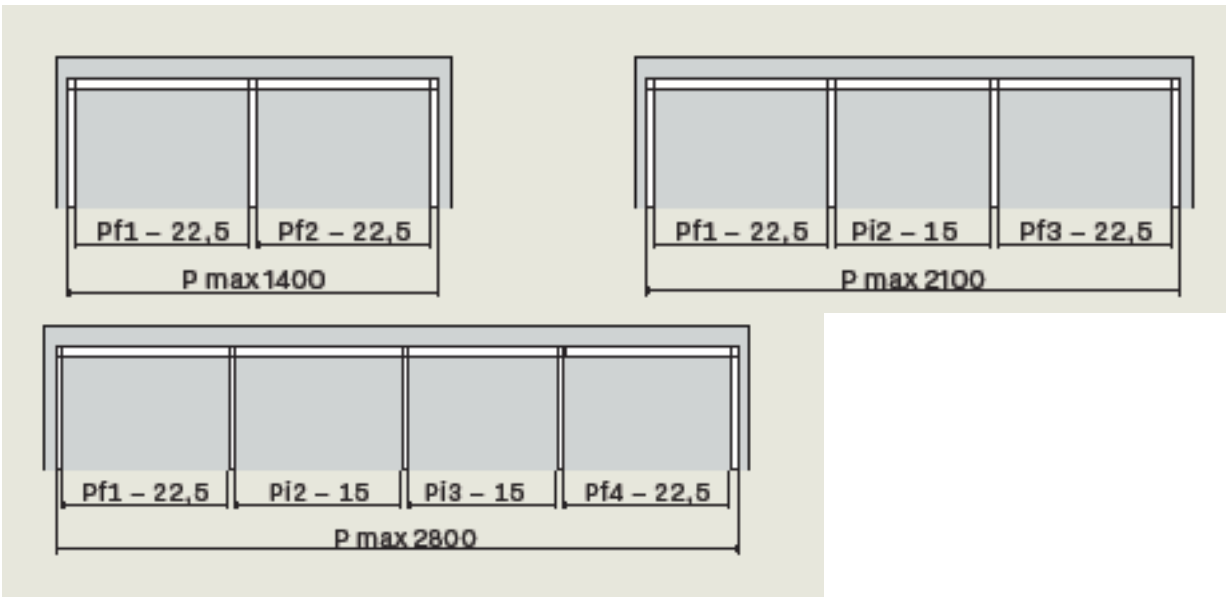
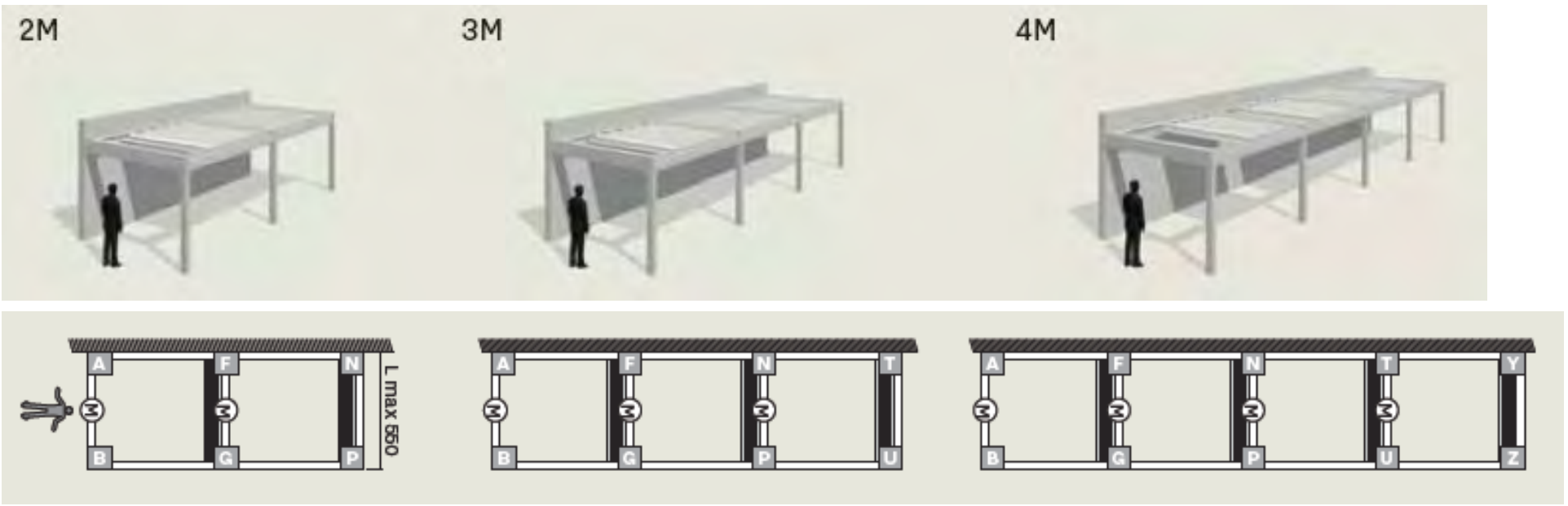


*NOTE: Maximum projection of the cover centered on post



*NOTE: Maximum projection of the cover centered on post at front

RIALTO 03P : Wall Mounted and if multiple Coupled on Projection side.

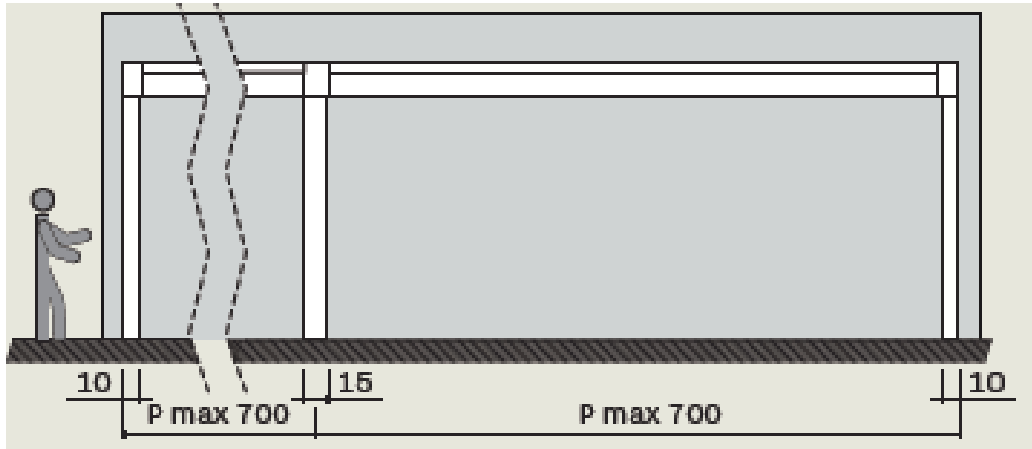


Note:

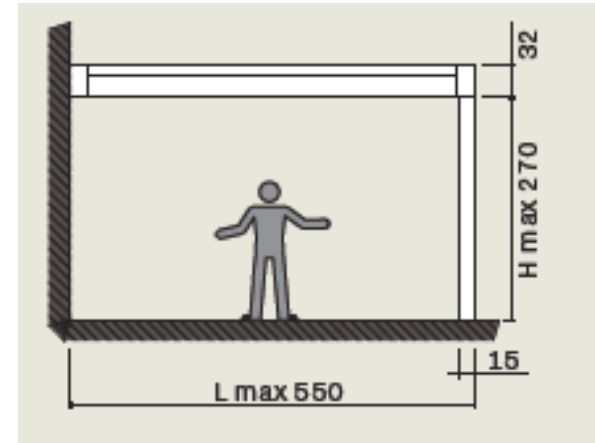
Drainage capability is reduced on this version due to one side being at the wall.

RIALTO 03P : Wall Mounted con't.

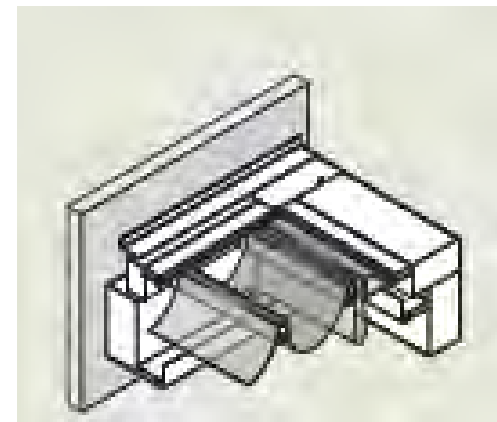
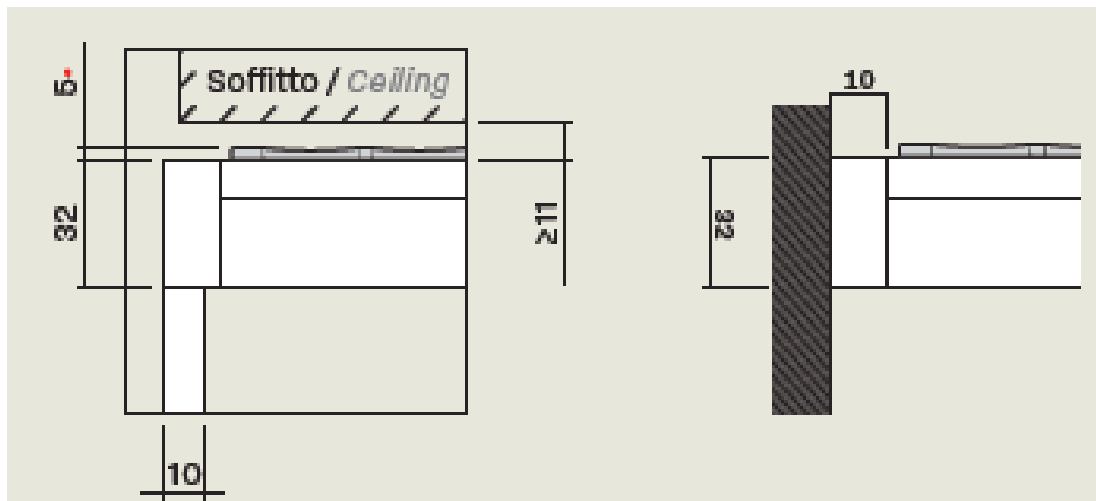
SIDE VIEW



FRONT VIEW



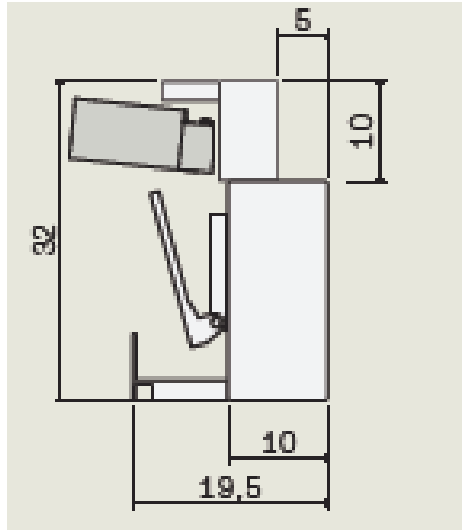
*NOTE: Maximum projection of the cover centered on post



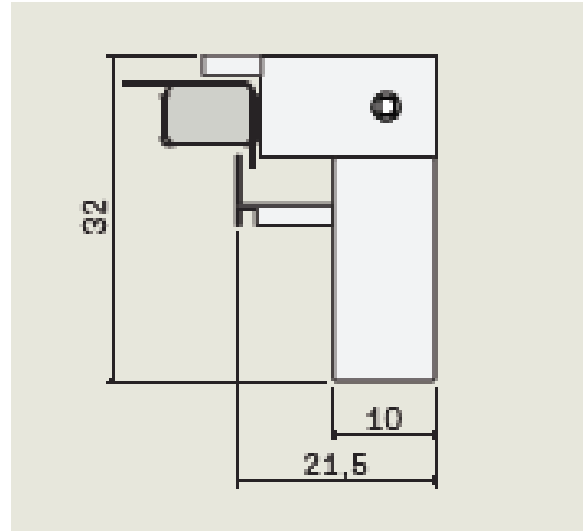
*NOTE: Maximum projection of the cover centered on post at front

RIALTO technical Details.

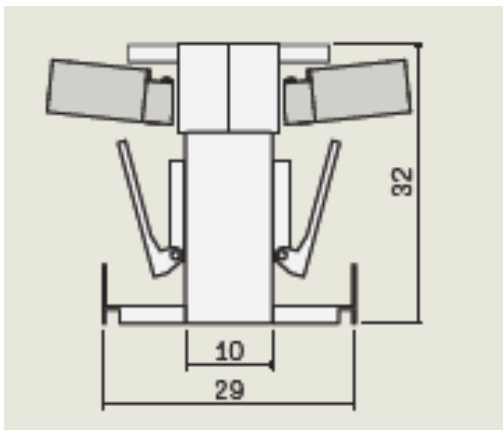
Supporting Box Profile Projection side



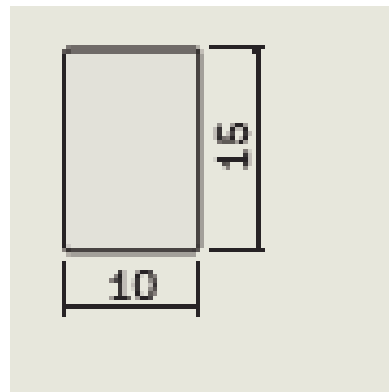
Supporting Box Profile Width side



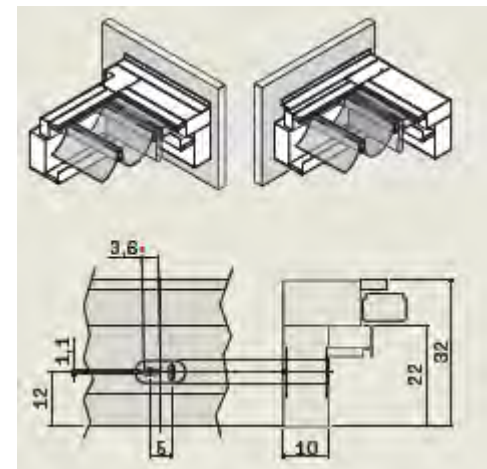
Intermediate Supporting Profile



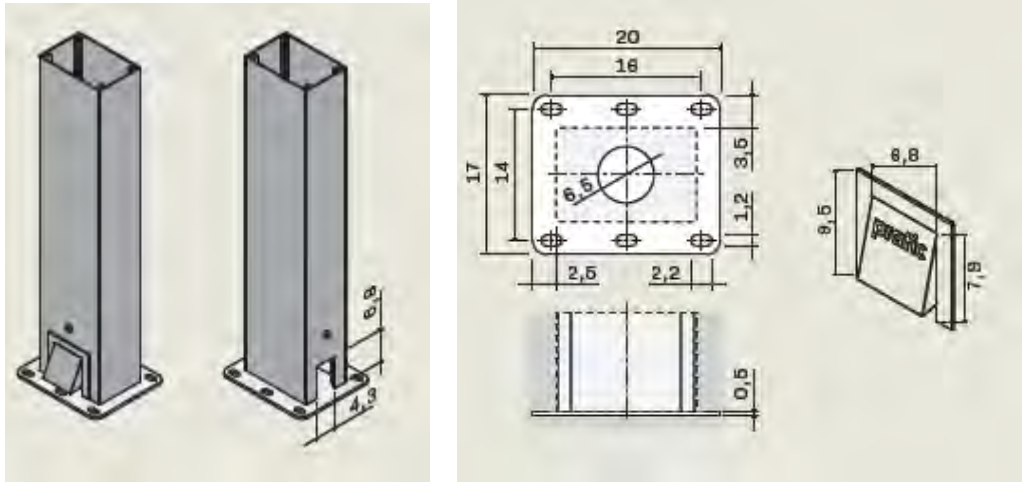
Post Profile



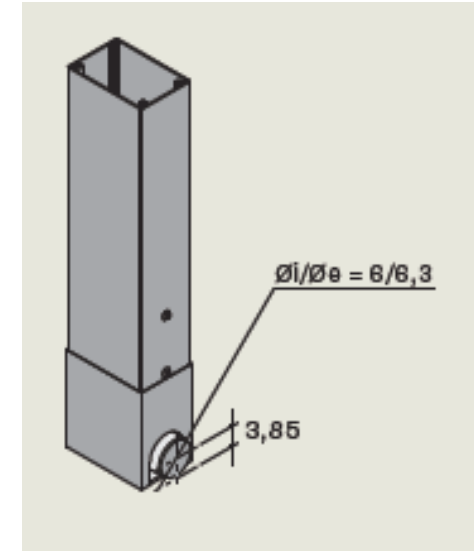
Wall Mounting With Profile



RIALTO Post options.



STANDARD POST & FOOT PLATE



TELESCOPING FEET

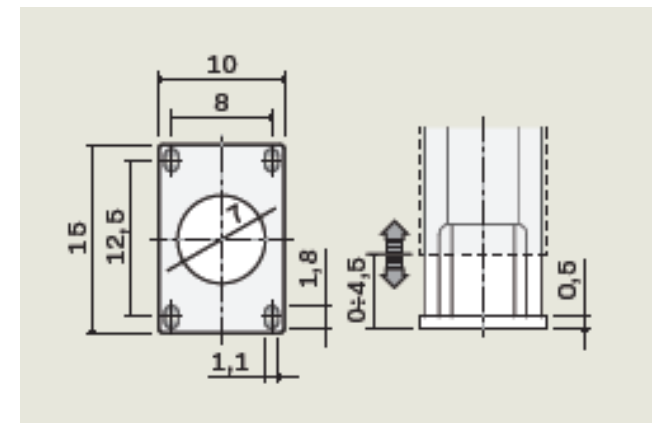
POST HEIGHTS:

Standard under gutter 90" (230 cm)

Up to 98" no additional cost. (250 cm)

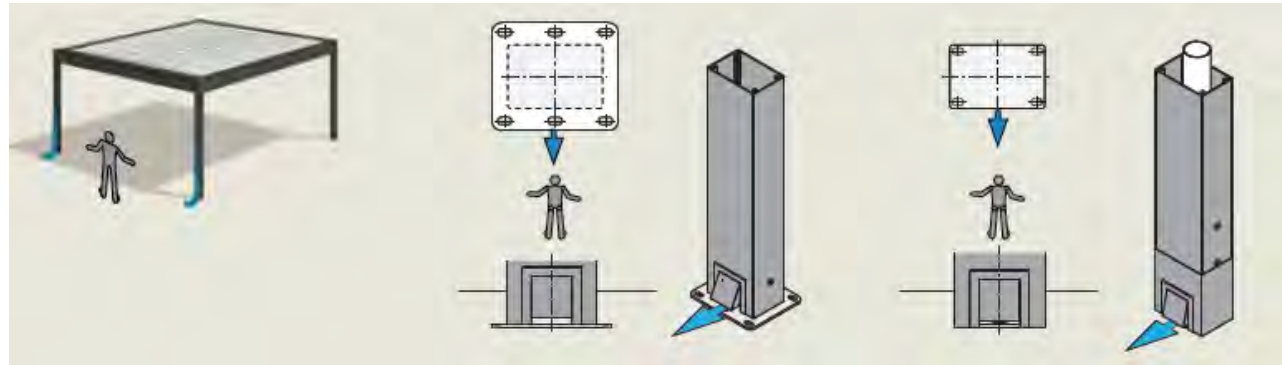
Above 98" extra cost per post.

RIALTO: Max height posts 106" (270 cm)

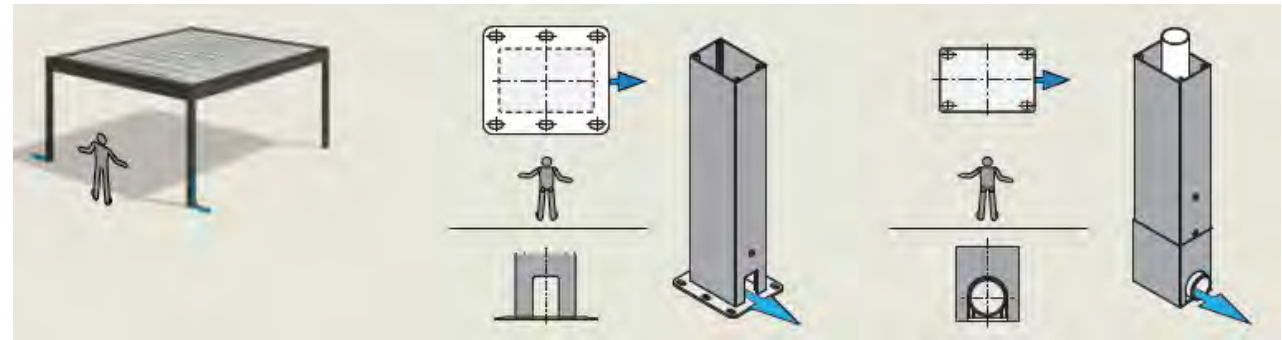


RIALTO Post drainage options.

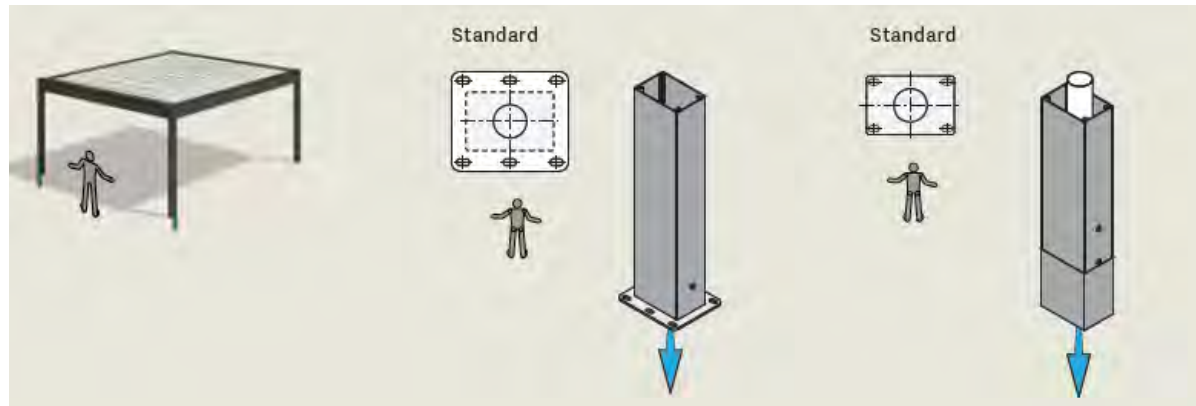
Front drainage option



Side drainage option



Down drainage option



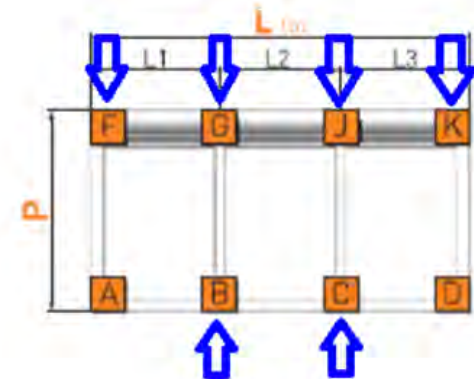
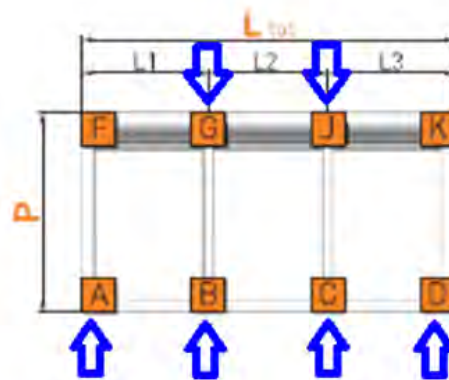
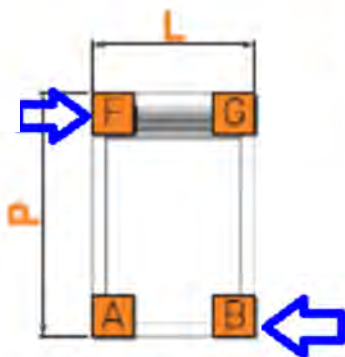
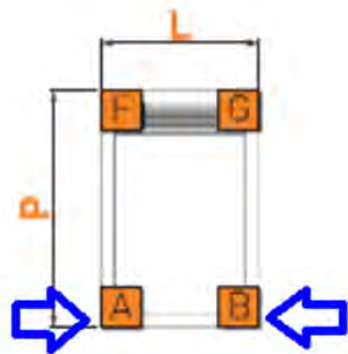
Post Drainage Points NOMO & RIALTO

It is best to have the unit drain out of every post on the Nomo and Rialto units.

Minimum two (2) posts must be used for drainage per “Module” or section. The drainage points must also be on opposite side of each other where water flows off the curved top. In other words , one drainage point per side that the water flows off the top fabric. Below are some examples of configurations with minimum drainage.

Example #1: If you have one unit you can have two drainage points at the front or back. You can also have it staggered as long as one is on each side of the fabric as water drains off the top.

Example #2: If you have three (3) side by side Nomo or Rialto units with 4 posts at front and 4 post at back, you will need six (6) drainage points total. Four on either front or back and then two more as per below.



01L / 03L		01P / 03P - 2M		
Module 1	# of Ribs	Module 1	Module 2	# of Ribs
P		P	P	
186,8	2	177,4	176,8	2
229,8	3	220,4	219,8	3
272,9	4	263,5	262,9	4
315,9	5	306,5	305,9	5
359,0	6	349,6	349,0	6
402,0	7	392,6	392,0	7
445,1	8	435,7	435,1	8
488,1	9	478,7	478,1	9
531,2	10	521,8	521,2	10
574,2	11	564,8	564,2	11
617,3	12	607,9	607,3	12
660,3	13	650,9	650,3	13
700,0	14	694,0	693,4	14
		700,0	700,0	15

NOMO
Rib & dimensional table.

01P / 03P - 3M			
Module 1	Module 2	Module 3	# of Ribs
P	P	P	
177,4	167,4	176,8	2
220,4	210,4	219,8	3
263,5	253,5	262,9	4
306,5	296,5	305,9	5
349,6	339,6	349,0	6
392,6	382,6	392,0	7
435,7	425,7	435,1	8
478,7	468,7	478,1	9
521,8	511,8	521,2	10
564,8	554,8	564,2	11
607,9	597,9	607,3	12
650,9	640,9	650,3	13
694,0	684,0	693,4	14
700,0	700,0	700,0	15

02P / 03P - 4M			
Module 1	Module 2/3	Module 4	# of Ribs
P	P	P	
177,4	167,4	176,8	2
220,4	210,4	219,8	3
263,5	253,5	262,9	4
306,5	296,5	305,9	5
349,6	339,6	349,0	6
392,6	382,6	392,0	7
435,7	425,7	435,1	8
478,7	468,7	478,1	9
521,8	511,8	521,2	10
564,8	554,8	564,2	11
607,9	597,9	607,3	12
650,9	640,9	650,3	13
694,0	684,0	693,4	14
700,0	700,0	700,0	15

02L	
Module 1	# of Ribs
P	
184,3	2
227,3	3
270,4	4
313,4	5
356,5	6
399,5	7
442,6	8
485,6	9
528,7	10
571,7	11
614,8	12
657,8	13
700,0	14

02P - 2M		
Module 1	Module 2	# of Ribs
P	P	
177,4	174,3	2
220,4	217,3	3
263,5	260,4	4
306,5	303,4	5
349,6	346,5	6
392,6	389,5	7
435,7	432,6	8
478,7	475,6	9
521,8	518,7	10
564,8	561,7	11
607,9	604,8	12
650,9	647,8	13
694,0	690,9	14
700,0	700,0	15

NOMO

Rib & dimensional table con't.

02P - 3M			
Module 1	Module 2	Module 3	# of Ribs
P	P	P	
177,4	167,4	174,3	2
220,4	210,4	217,3	3
263,5	253,5	260,4	4
306,5	296,5	303,4	5
349,6	339,6	346,5	6
392,6	382,6	389,5	7
435,7	425,7	432,6	8
478,7	468,7	475,6	9
521,8	511,8	518,7	10
564,8	554,8	561,7	11
607,9	597,9	604,8	12
650,9	640,9	647,8	13
694,0	684,0	690,9	14
700,0	700,0	700,0	15

02P - 4M			
Module 1	Module 2/3	Module 4	# of Ribs
P	P	P	
177,4	167,4	174,3	2
220,4	210,4	217,3	3
263,5	253,5	260,4	4
306,5	296,5	303,4	5
349,6	339,6	346,5	6
392,6	382,6	389,5	7
435,7	425,7	432,6	8
478,7	468,7	475,6	9
521,8	511,8	518,7	10
564,8	554,8	561,7	11
607,9	597,9	604,8	12
650,9	640,9	647,8	13
694,0	684,0	690,9	14
700,0	700,0	700,0	15

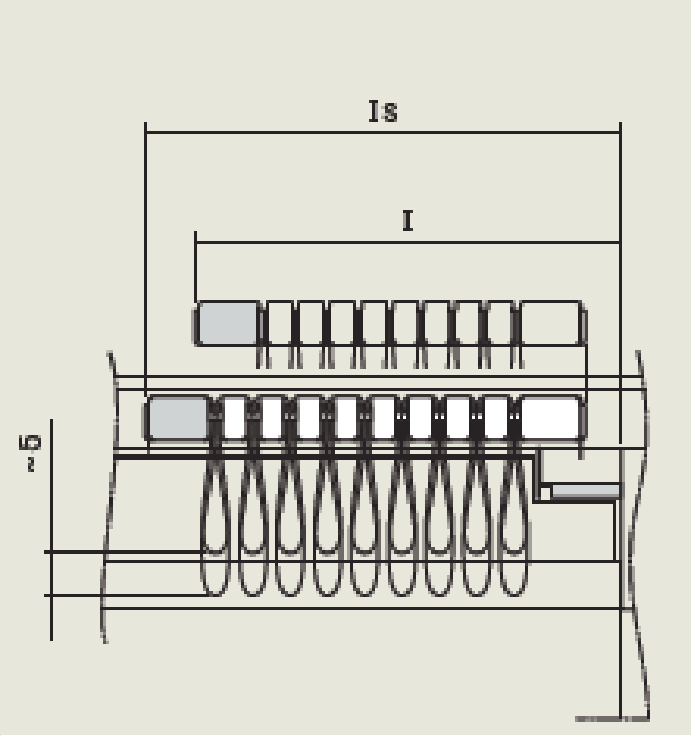
01L / 02L / 03L		01P / 02P / 03P - 2M		
Module 1	# of Ribs	Module 1	Module 2	# of Ribs
P		P	P	
181,9	2	175,0	175,8	2
224,9	3	218,0	218,8	3
268,0	4	261,1	261,9	4
311,0	5	304,1	304,9	5
354,1	6	347,2	348,0	6
397,1	7	390,2	391,0	7
440,2	8	433,3	434,1	8
483,2	9	476,3	477,1	9
526,3	10	519,4	520,2	10
569,3	11	562,4	563,2	11
612,4	12	605,5	606,3	12
655,4	13	648,5	649,3	13
698,5	14	691,6	692,4	14
700,0	15	700,0	700,0	15

RIALTO Rib & dimensional table.

01P / 02P / 03P - 3M				01P / 02P / 03P - 3M			
Module 1	Module 2	Module 3	# of Ribs	Module 1	Module 2/3	Module 4	# of Ribs
P	P	P		P	P	P	
175,0	168,9	175,8	2	175,0	168,9	175,8	2
218,0	211,9	218,8	3	218,0	211,9	218,8	3
261,1	255,0	261,9	4	261,1	255,0	261,9	4
304,1	298,0	304,9	5	304,1	298,0	304,9	5
347,2	341,1	348,0	6	347,2	341,1	348,0	6
390,2	384,1	391,0	7	390,2	384,1	391,0	7
433,3	427,2	434,1	8	433,3	427,2	434,1	8
476,3	470,2	477,1	9	476,3	470,2	477,1	9
519,4	513,3	520,2	10	519,4	513,3	520,2	10
562,4	556,3	563,2	11	562,4	556,3	563,2	11
605,5	599,4	606,3	12	605,5	599,4	606,3	12
648,5	642,4	649,3	13	648,5	642,4	649,3	13
691,6	685,5	692,4	14	691,6	685,5	692,4	14
700,0	700,0	700,0	15	700,0	700,0	700,0	15

NOMO & RIALTO Dimensions con't.

# of Ribs	Dimension +/- 1 cm	
	Without Undercover	With Undercover
2	38	39,5
3	43	45,0
4	48	50,5
5	53	56,0
6	58	61,5
7	63	67,0
8	68	72,5
9	73	78,0
10	78	83,5
11	83	89,0
12	88	94,5
13	93	100,0
14	98	105,5
15	103	111,0



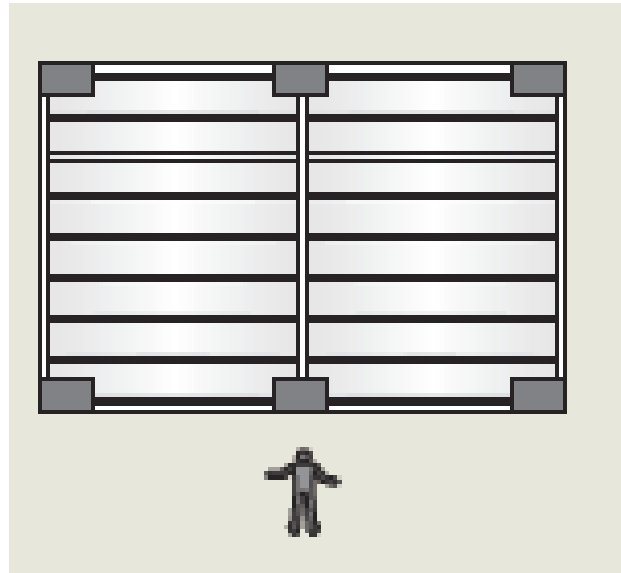
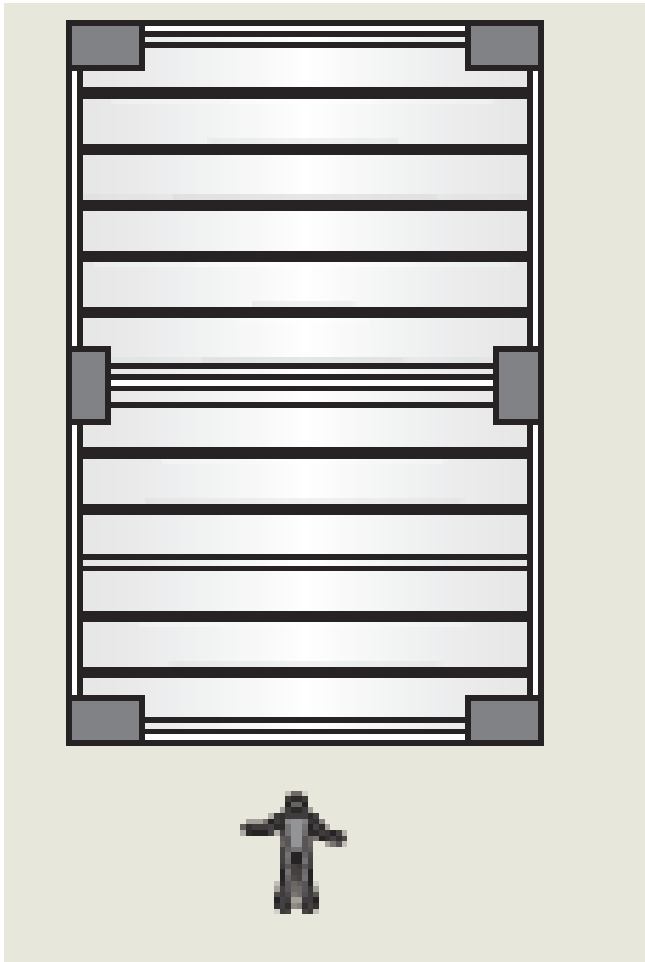
LEGEND:

I = Fabric fold without undercover

Is = Fabric fold with undercover added

Note: Undercover fabric will hang 5 cm lower when folded

RIALTO Post Location and Orientation Diagram.



NOMO & RIALTO FABRIC DISCLAIMER.



Creases in the retracted cover.

Note:

NOMO & RIALTO fabric covers when retracted may present some natural creases due to the curvature of the ribs. These phenomena cannot be subject to dispute since they cannot be avoided and they do not influence the proper functioning of the structure (See picture to the Left).



Note:

NOMO & RIALTO units with LED lighting will have wires heat sealed into the cover for the electrical connection of the LED lights. These wires must be positioned so they are visible under the fabric so they don't interfere with proper water drainage of the cover (See picture to the Left).

NOMO & RIALTO Options:

RASO ROLL DOWN ZIPPER SCREENS For NOMO only



Note:

Maximum available Raso screen width will depend on fabric type. An additional intermediary post can be added to cover the side with multiple screens.

Optional roll down screens can be added to the NOMO model only.

Note: Raso screens are NOT available with the “Rialto” model.

The screens are available with mesh fabrics and also vinyl with windows (single or double). Please inquire on window size specifications needed.

Available Fabric are:

Tempotest Para Acrylic fabric (Colors from range)

Mosquito Mesh 50% open (Grey & Black)

Soltis 86 mesh (Colors from range)

Soltis 92 mesh (Colors from range)

Ferrari 502/602 with windows (Colors from range)

Max widths available:

Mosquito Mesh: 14' 6" wide x 10' high

Soltis 86 & 92: 19'6" wide (6 m)

Para & Ferrari 502/602: 19' 6" wide (6m)

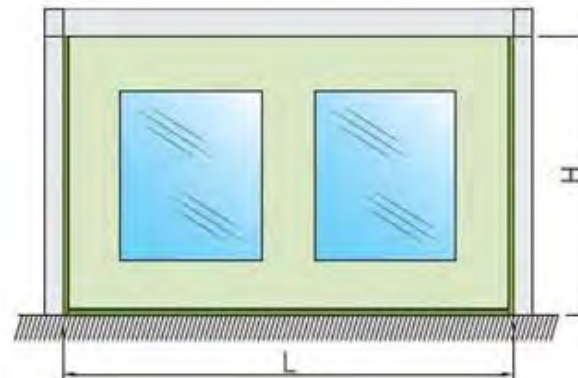
Ferrari 502/602 with windows: 13' wide (4 m)

NOTE: If NOMO projection is wider than the maximum allowable screen width above, an intermediary post has to be added at extra cost and two screens must be made in its place. Even if you want to wall mount the NOMO, you still



The NOMO model can be fitted with roll down RASO zipper screens for extra weather or sun protection on all sides. This optional screen system can be ordered with either mesh fabric, acrylic, or vinyl fabric and clear "film" windows for keeping moderate weather at bay during the winter months or rain during spring and summer months. If you only need sun protection on the sides or desire to keep mosquitos and pesky bugs at bay, our mesh fabrics will be fine.

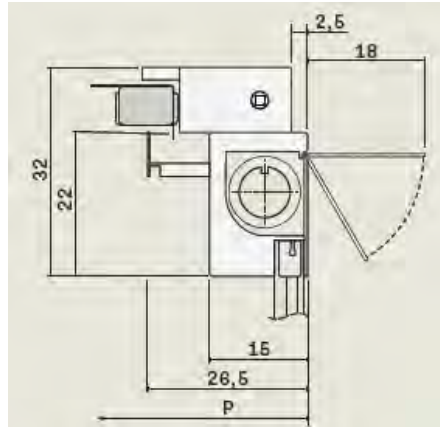
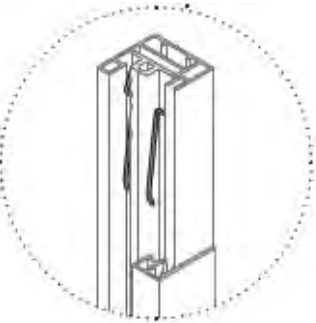
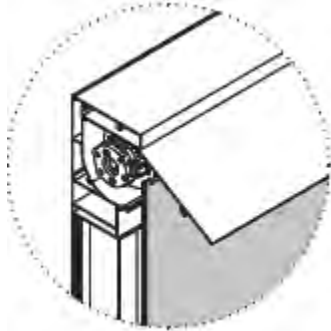
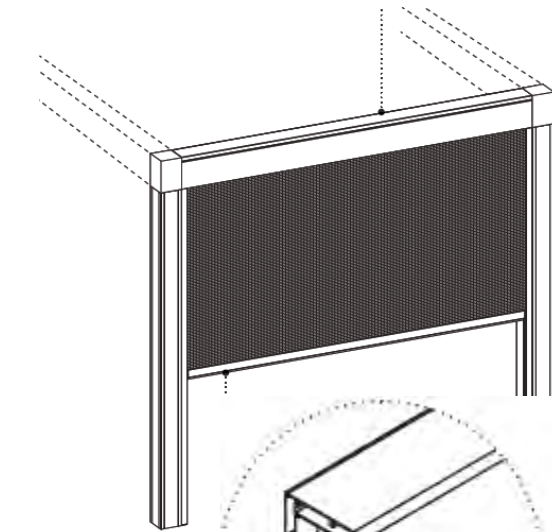
Raso screens with windows



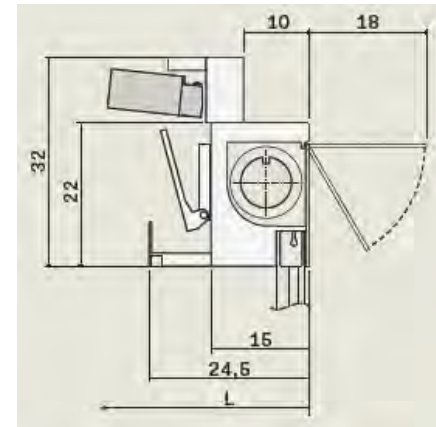
Minimum border width around screen perimeter must be at least 25 cm (10") when using Ferrari with windows (See illustration above)

Raso zipper screens with mesh fabric

RASO Screens con't

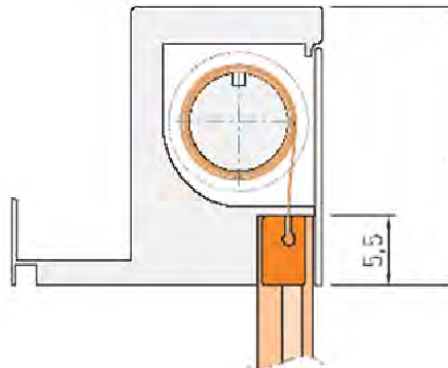


supporting profile with built-in Raso

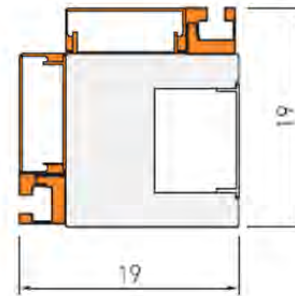
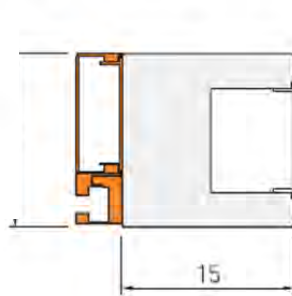
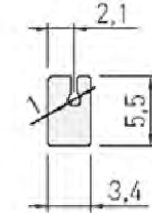
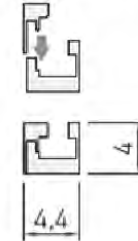


Zip guide profile

Front profile



Post profile + Raso guide + compensator



Optional Gasket at bottom of hem bar.

NOMO posts with Raso Track and compensation profile added

RASO Screens con't



Raso

Minimum width:

200 cm / 79 "

Maximum Height:

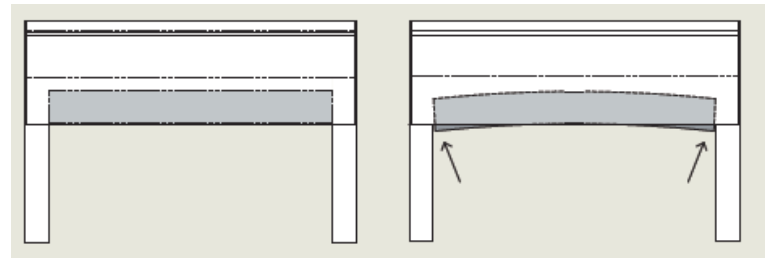
300 cm / 120"



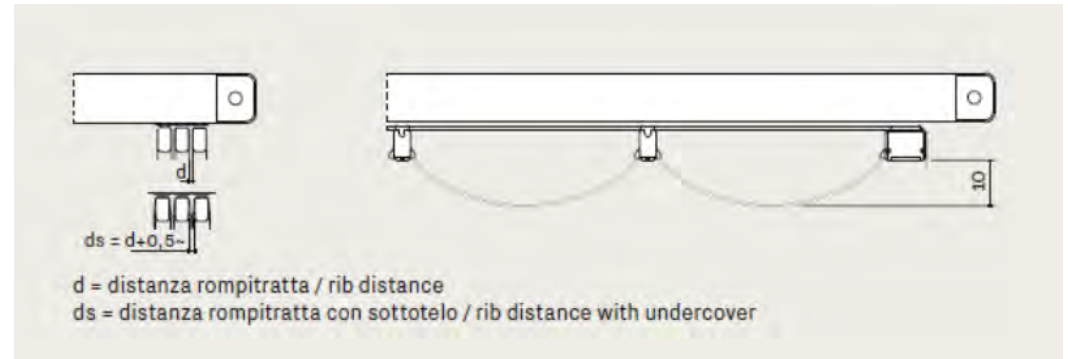
Power Spring system is a "NEW" option that is available for Raso screens allowing for constant tension on the fabric. The (PSS) system utilizes gas springs which acts as shock absorbers and keeps constant tension on the fabric even in partially lowered position.

YES

NO



UNDERCOVERS NOMO & RIALTO



To create a nice atmosphere with the NOMO and RIALTO pergola, it is possible to apply an undercover between the ribs covering up the vinyl fabric (Available three fabric colors below).

Note: NOMO and RIALTO undercovers should be ordered with the Pergola. If ordered later, please inquire.



Color: 6006

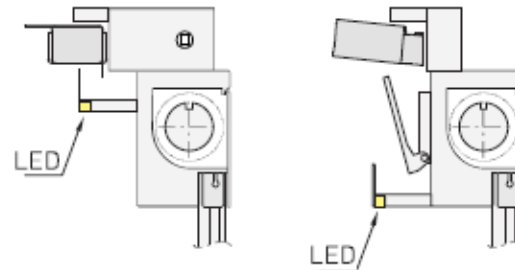


Color: 6007

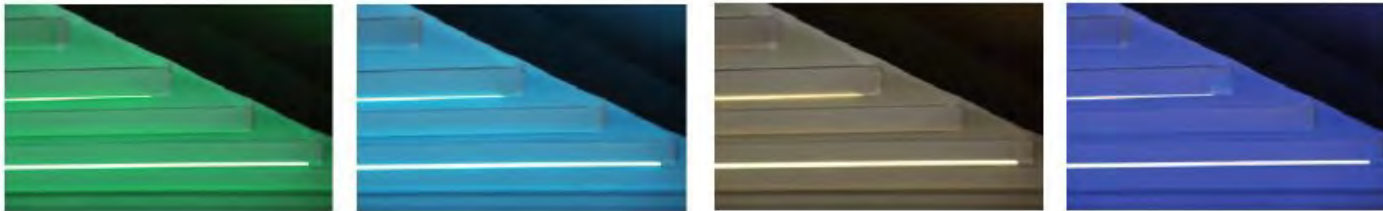


Color: 6008

PERIMETER & RIB LED LIGHTING



LED / RGB in-line lighting

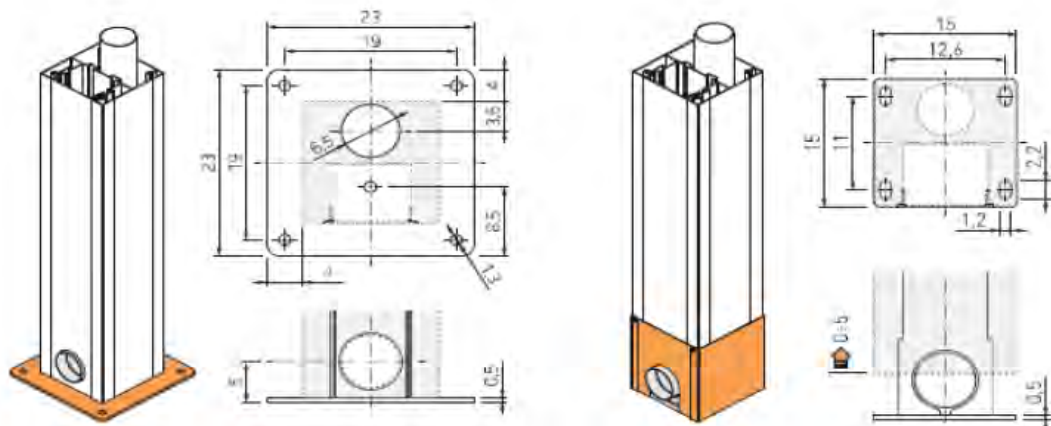


REMOTE CONTROLLED



LED / RGB Perimeter lighting

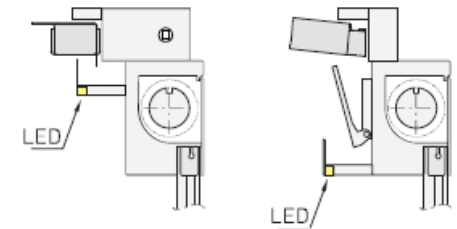
NOMO & RIALTO: Options



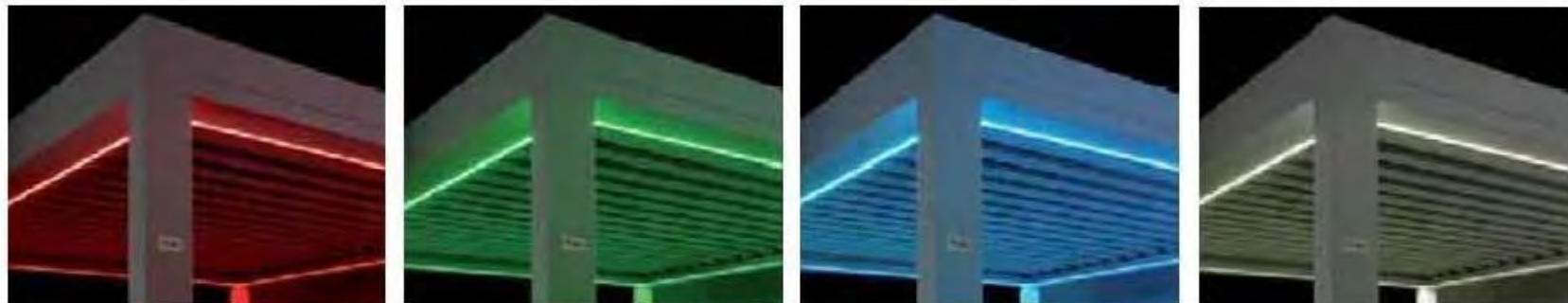
Standard post feet and optional telescoping feet (Nomo illustrated)



LED / RGB in-line lighting



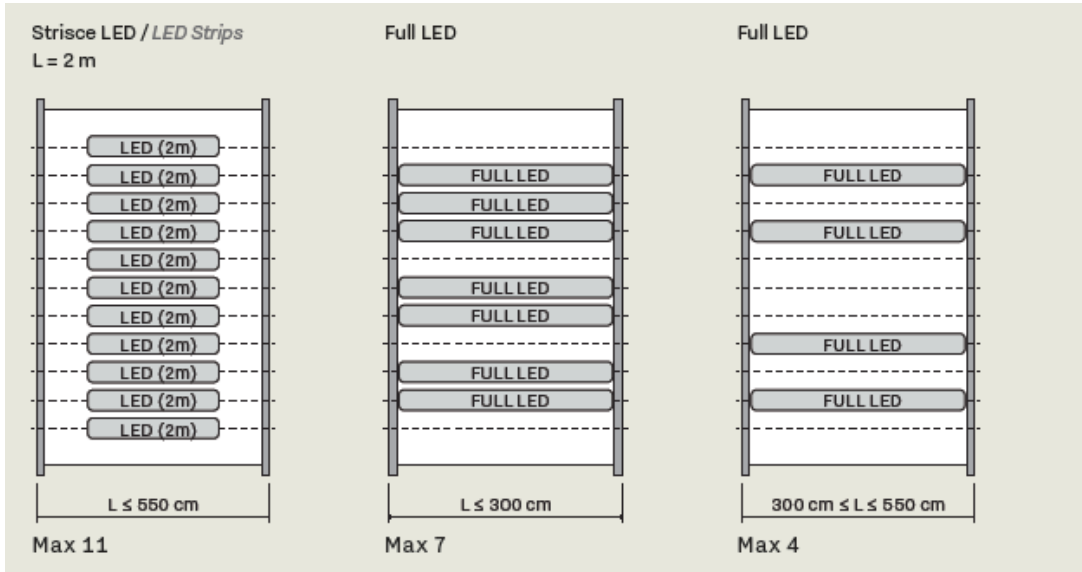
LED / RGB Perimeter lighting



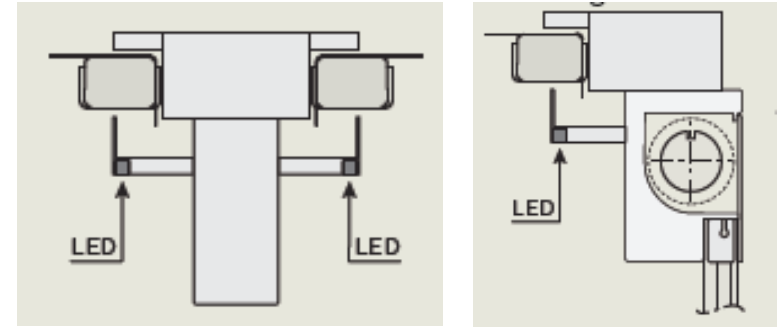
REMOTE CONTROLLED

LED In-Line configurations (NOMO & RIALTO)

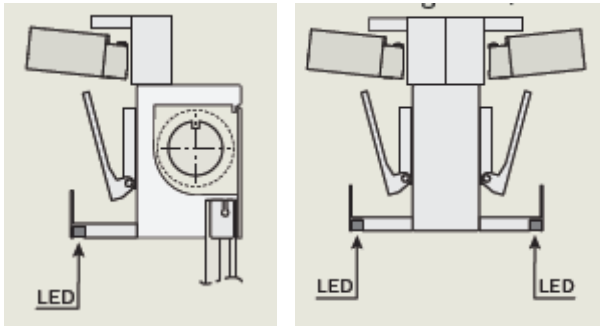
LED Line position: Please refer to the number of ribs for the pergola module you desire. Maximum two (2) Led kits can be configured with each "module". A two module unit can have two LED kits. LED kits must be ordered at time of Pergola manufacturing.



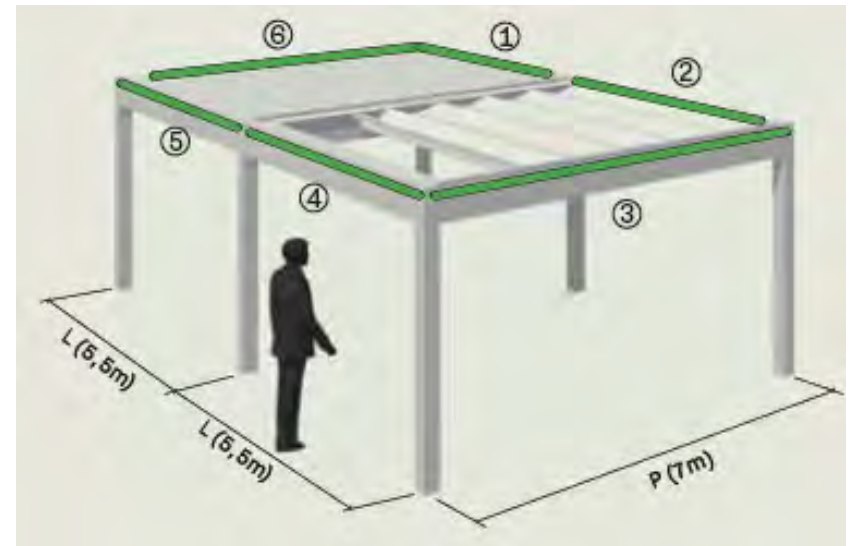
- Power Supply: 24 volts
- Light Output 420 Lumen/m
- Electrical use 14,4 W/m
- Maximum LED is 22 meter / kit



LED Perimeter configurations (NOMO & RIALTO)



Perimeter Upright



NOMO & RIALTO: More Options

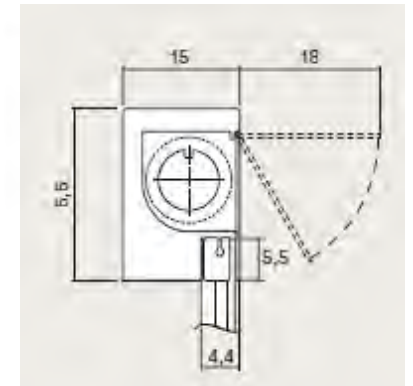
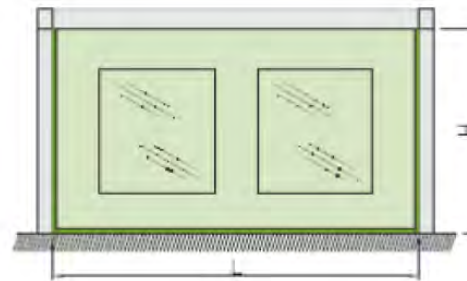


Undercovers

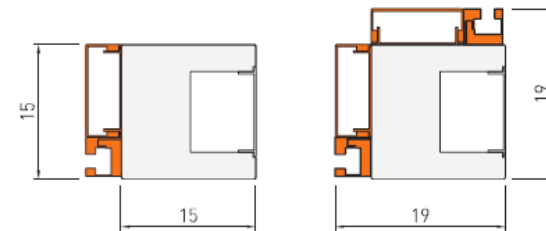


RASO Side zipper screens (Nomo model only)

Mesh fabric or with windows



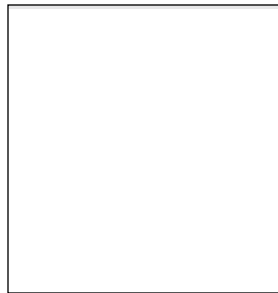
Post profile + Raso guide + compensator



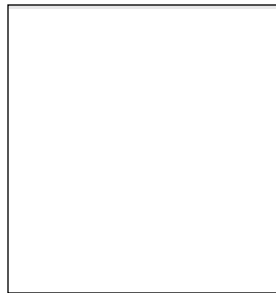
STANDARD FRAME COLORS FOR THESE PERGOLA MODELS:

*Nomo, Rialto, Opera, Vision, Phoenix, Zen,
Alutecnic, Stil, Evo, & Wood Plus (metal components)*

NOTE: Optional for OPERA & VISION is to have Structure and louvers in two different colors.



WHITE Gloss
Ral 9010



WHITE SAND
Coarse Ral 9016



IVORY SAND
Ral 1013 Coarse



IVORY / SEMI
Gloss Ral 1013



GREY SAND
Gloss Ral 9006



BRIGHT ALUM
Matt Ral 9006



CORTEN
Coarse



IRON GREY
Coarse

OPTIONAL



FULL RAL COLOR
RANGE / EXTRA
COST

8 Akzo Nobel Colors

AkzoNobel

NOTE: ACTUAL FRAME COLOR MAY VARY FROM DIGITAL IMAGES



PERGOLA STANDARD FABRIC COLORS

602 FLEX LIGHT CLASSIC / OPAQUE COLORS

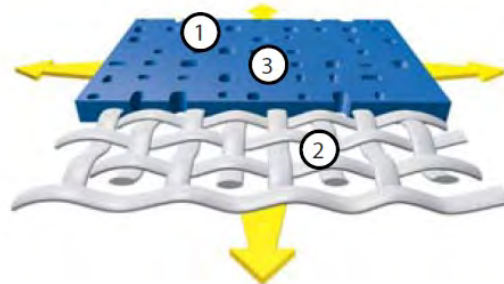


602N-8503 / 8103



602N-50020

The Preconstraint 602 fabric from Ferrari offers excellent dimensional stability with minimal stretching and exceptional dirt resistance thanks to a PVDF topcoat on both sides. The fabric is therefore perfect for use on retractable Pergola® roof awnings. The fabric is 22.1 oz/sq yard with a Glossy finish. The two standard opaque colors above are the most commonly used and is standard on all Pergola® awnings. The two above colors are opaque and do not allow light to go through the fabric. The 602 is also available standard in the 10 each translucent colors below allowing some light to go through. Fabrics are Fire Retardant and certificate is available.



Serge Ferrari

NON STANDARD PERGOLA FABRIC COLORS

502 PROOF SOLTIS / OPAQUE SATIN FINISH COLORS

The Preconstraint 502 fabric from Ferrari also offers excellent dimensional stability with minimal stretching and exceptional dirt resistance thanks to a PVDF topcoat on both sides. The fabric is therefore perfect for use on retractable Pergola® roof awnings. The fabric is 16.8 oz/sq. yard with a satin finish. Fabrics are fire retardant and certificate is available.



satin finish


Serge Ferrari

Soltis
Horizon 86

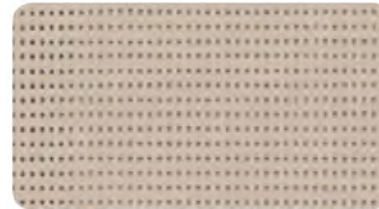
Serge Ferrari

14 % Open Screen Mesh

Raso Screen Fabric



86-2043
Bronze



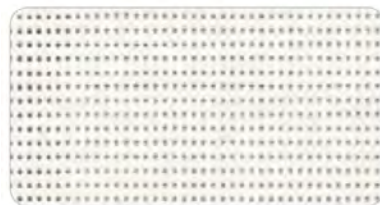
86 – 2135
Sandy Beige



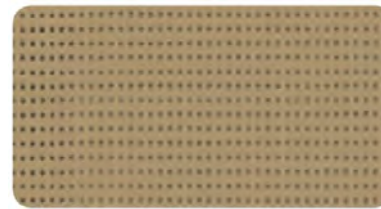
86 – 2053
Black



86 – 2175
Champagne



86 – 2044
White



86 – 2012
Pepper



86 – 2171
Boulder

■ **Technical properties**

Openness factor	14%
Weight	380 g/m ² — 11.2 oz/sqyd
Thickness	0.45 mm — 450 microns
Width	177 cm - 267 cm — 69.7 in. - 105.1 in.

Superior elongation and tear resistance

No deformation during processing and use

Superior aesthetic and mechanical durability

Smooth finish easy to clean, space saving, easy rolling

MOTORIZATION & AUTOMATION

ALTUS®



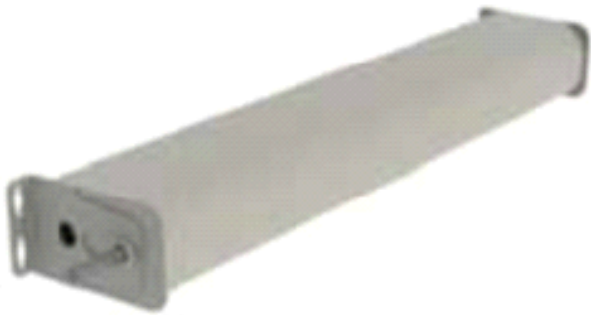
The Sunair PERGOLA® program features SOMFY RTS motor with an integrated radio receiver that allows you to operate the awning or screen by remote control with a wall mounted or hand held remote and by a smart phone device.

With a simple click of a button on your remote, the awning or shade will extend, retract , lower or raise automatically.



1 through 16 channel wall mounted and hand held remotes are available





OUR PERGOLA® MOTORS

Sunair uses Somfy motors and controls for their Pergola awnings in the following range

Altus 550 Series: Nomo, Rialto , Type 1 & 2 Pergolas

Altus 660 Series: Type 3 Pergolas

All Somfy Motors are UL and CSA Recognized

- All SOMFY motors are UL Recognized and can be found under the following file numbers:

E60495, E60888, E63714



	550	660
Torque	50 Nm	60 Nm (530 in. lbs.)
Nominal Voltage		120V / 60Hz
Rated Current	2.1A	2.5A
Speed	14 rpm	14 rpm

Type of power cable

RTS
120V AC / 60Hz
3 conductor cable



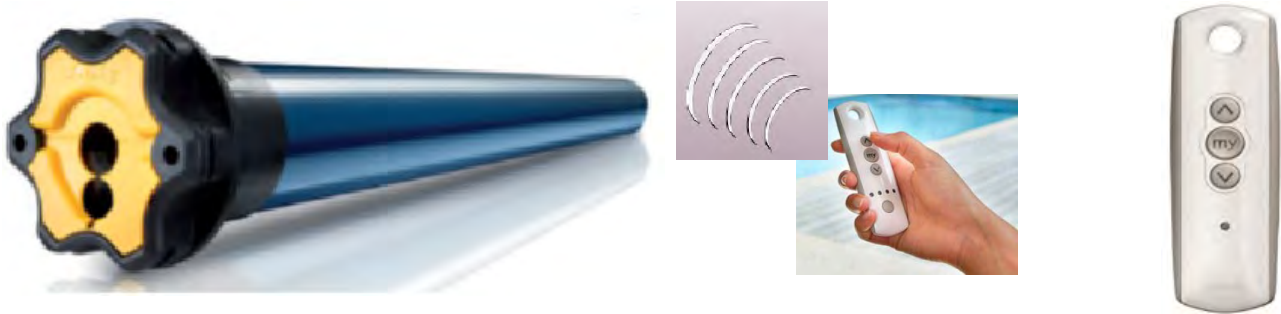
white = neutral
black = hot
green = ground



Radio Technology Somfy

Radio Technology Somfy® (RTS) allows wireless radio control of motorized applications via the RTS family of controls.

Screen motor for RASO zipper screens



SCREEN MOTORS:

The screens are available with the 525 altus SOMFY motor and also the 525 Maestria Obstacle detection motor. These motors are tubular 110 volt motors and are integrated into the Raso roller tube like a normal screen motor. Electrical wiring for the Raso screens is integrated within the gutter system and posts and all electrical connections are pre-wired within the Pergola system to one central connection point for all the electrical options and motors. The Maestria obstacle detection motor prevents fabric damage resulting from screen bunching and slipping from the guides. The motor senses and distinguishes between an actual obstacle and wind, even wind gusts, so it doesn't stop unnecessarily, resulting in fewer service calls and end user peace of mind.

Type of cable

RTS
120 V / 60 Hz
3 conductor cable



Note: It is recommended to use a multi channel Telis 4 remote to operate multiple screens. The Screen motors use the same RTS motor as all Pergola models except the Louvered Pergola systems. The Louvered OPERA & VISION systems use a separate TELECO remote control to operate the Louvered 24 volt motor and LED's.

Performances

525A2

Torque	25 Nm
Nominal Voltage	
Rated Current	1.6A
Speed	20 rpm
Thermal Protection	
Radio Frequency	433.42 MHz



SOLIRIS RTS 24V KIT
Sun & Wind Sensor

The Soliris RTS Sun and Wind Sensor automatically controls your RTS motorized products based on current weather conditions.

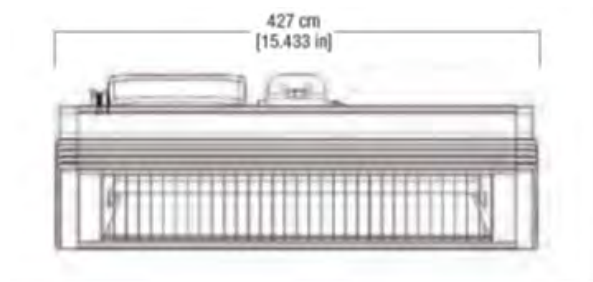


ONDEIS® WIREFREE
Sun & Rain Sensor

The Rain Sensor is a solar-powered combined rain and sun sensor compatible with Radio Technology Somfy® motorized exterior products, including awnings and screens.

The Somfy myLink™ is a simple device that turns your smartphone or tablet into a sophisticated remote control for motorized products featuring Radio Technology Somfy®, allowing you to operate them whether you're home or not. Combine all the benefits of Somfy's RTS hand-held remotes and timers in a convenient app.





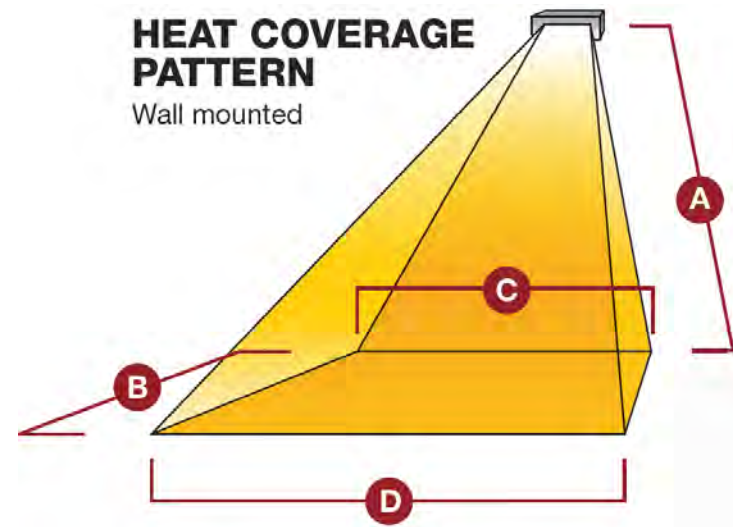
HEATERS: COSY 1500 AW Sleek, Low clearance, infrared heaters.

Sunair® awnings do not specify any particular brand of heaters but we do offer the Solaira brand as a convenience and as “supply” only. As supply only all warranty is per the Manufacturer (Solaira). Please see separate manufacturers installation, use, servicing and warranty documents. Mounting and wiring the heaters on the Pergola units is not included and will be the responsibility of the dealer / customer in the field during installation. Check your local codes for correct wiring instructions. All heaters should be installed by a certified electrician to local state electrical codes. See separate manufacturer’s data sheet and wiring instructions. If you purchase your own heaters, make sure that the heater brand and model you chose can be installed within the pergola unit to code. Aluminum Brackets to install the heaters on the awning are sold separately. Note: Sunair® awnings can only make suggestions but will not be responsible or warranty the performance and the effectiveness of the heaters. Check with the manufacturer of the heaters for the recommended number of heaters for your application and best installation position of the heater for best results.

Con’t next page

Solaira Heaters con't

Note: Specifier / Customer must contact Solaira for recommended heater number and position.



HEAT COVERAGE EXAMPLES

Model	A	B	C	D	Heat Zone*	Heat Density*
SCOSYXLAW15120 B/W	6'7"	9	8	11	90 sq. ft.	16 watt/sq. ft.
SCOSYXLAW15240 B/W	6'7"	9	8	11	90 sq. ft.	16 watt/sq. ft.
SCOSYXLAW20240 B/W	8'2"	9	8	11	90 sq. ft.	22 watt/sq. ft.
SCOSYXLAW-L15240 S	6'7"	9	8	11	90 sq. ft.	16 watt/sq. ft.
SCOSYXLAW-L20240 S	8'2"	9	8	11	90 sq. ft.	22 watt/sq. ft.

*Heat Zone and actual heat density will vary based on mounting height and angle of heater (Overhead mounted zones will be different than this guide). Please use this as a guideline only and contact Solaira for a more detailed specifier guide.

Con't next page

Solaria Heaters con't

240 VOLT: 1.5Kw 208 - 240 V

Heater Model Black # SCOSYAW15240B Ral:9005

Heater Model White # SCOSYAW15240W Ral:9010

110 VOLT: 1.5Kw 120V

Heater Model Black # SCOSYAW15120B Ral: 9005

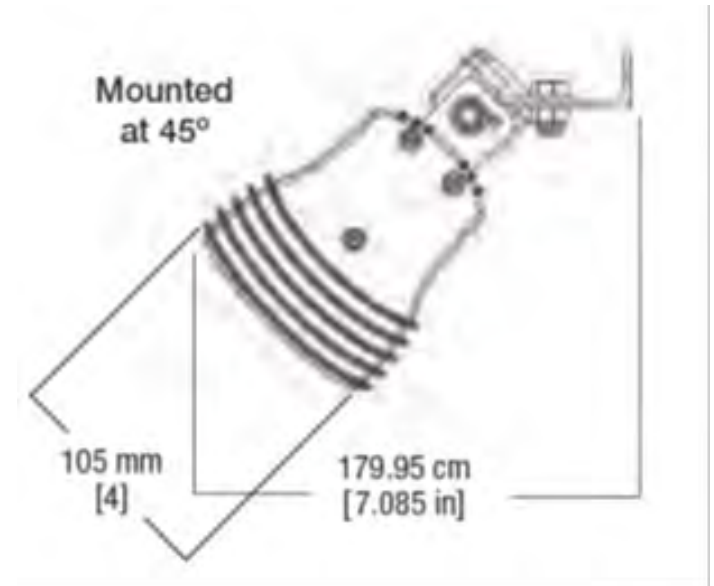
Heater Model White # SCOSYAW15120W Ral:9010

ADD CONTROLLER AND ENCLOSURE BELOW TO

BOTH HEATER MODELS ABOVE:

Controller #SHP18280SOL

Enclosure #SHP80ENCLOSE

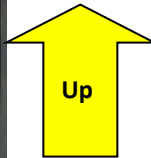


NOTE:

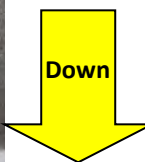
Maximum 6 ea. 110 volt heaters can be used per controller and box.

Maximum 12 ea. 240 volt heaters can be used per controller and box.

UP & DOWN Glass Walls Options



The Up & Down model is made up of two sections, one stationary and one mobile. A simple key is used to lock and release the module. To raise, release window with the key and the spring loaded module will slowly rise on its own.



The Up and Down model of our glass window dividers can be customized to match your color scheme or even display your logo! The base aluminum colors are White and Iron Grey colors. Virtually any color and design graphic motifs can be added to the glass to showcase your restaurant's unique style. Other models are also available.



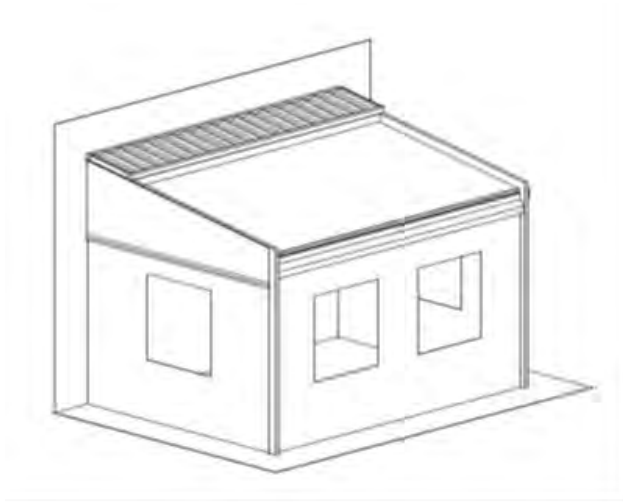
Installations



NOTES:

NOTES:

Note: Sunair® reserves the right to change engineering, specifications, and prices without notice. Images and Illustrations in the catalog may vary from digital and printed manuals. Sunair® is not responsible for printed inaccuracies in this manual.



SUNPROOFING AMERICA!



MARYLAND LOCATION

Mailing: P.O. Box 1068

Shipping: 7785 Rt. 175

Jessup, MD 20794

Toll Free 800 - 548 - 0408

Phone: 410 - 799 - 1145

Fax: 410 - 799 - 5584

ARIZONA LOCATION

Mailing: Same as Jessup

Shipping: 3807 West Thomas Rd.

Phoenix, AZ 85017

Toll Free 877 - 272 - 3920

Phone: 602 - 272 - 3920

Fax: 602 - 272 - 3925

www.sunairawnings.com

info@sunairawnings.com