

Maxi & Combi Window Awning

Retractable drop arm window awning systems



A Maxi or Combi retractable window awning from Sunair® is the ideal solution for complete solar control and privacy in your home. The awnings can be lowered to any position to provide as little or as much sunlight as you want. With traditional awning flair, this modern mechanism is easy to operate, and eliminates seasonal removal and storage. When not in use, the fabric is rolled up and protected by an optional hood or cassette.

FEATURES:

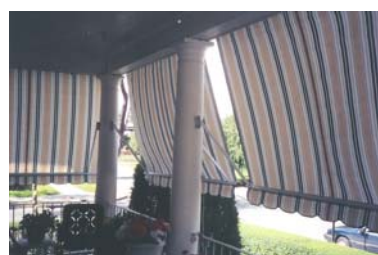
- Reduced Cooling costs.
- Filter or block sunlight & glare through window
- Fully retractable, eliminating seasonal storage of awnings.
- Can be lowered like a shade to create privacy
- Manual or motorized with remote control available
- Hundreds of fabric colors to choose from.
- Seven standard frame colors
- Custom frame colors available



**Awnings in normal
down position**

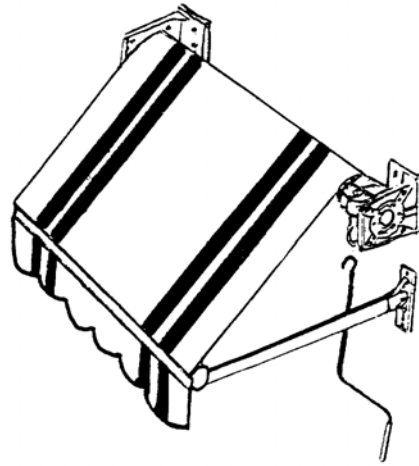


**Awnings lowered
160° for privacy**



MAXI

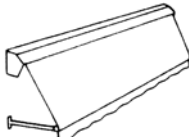
RETRACTABLE WINDOW AWNING SYSTEM



FOR LARGE WINDOWS OR STOREFRONTS

The Maxi window awning is designed for residential and commercial applications and is typically wider than 10 ft. The system utilizes the same roller tube and front bar as our Lateral Arm systems. The arm is designed with a heavy-duty internal spring system. Manual gear operation is standard while hood and motors are optional.

The Maxi is easily attached to new or existing structures such as brick or block without special installation requirements. The bolts in a siding or wood installation should be fastened into solid studs or headers. Large toggle bolts can be used if studs can not be utilized.

Awning Style	Type	Standard Frame Colors	Standard Widths	Standard Projections	Recommend Application	Recommend Fabrics to Use
	Maxi Large Window Awning	White, Ivory, Mocha, Brown, Bronze Black Grey, Taupe Forest Green	Through 30 ' Larger if split units	2'4", 3'4", 4'6", 5'8"	Large Window, Porch, Storefronts	Para, Sunbrella, & Dickson

MEASURING:

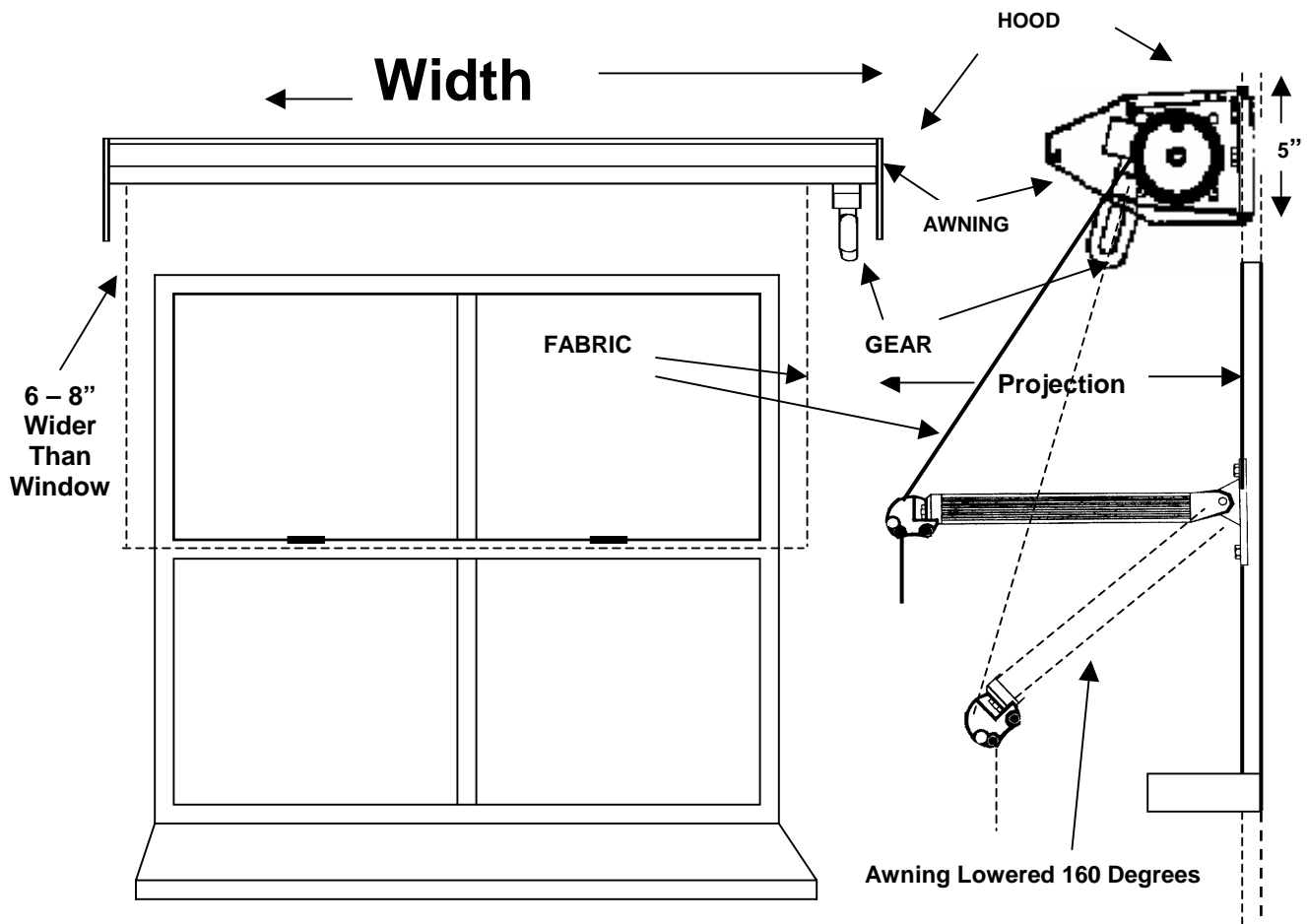
WIDTH:

The width ordered is the measurement from one end of the bracket to the other end of bracket and should include an extra 6 – 8" on each side of the window for proper coverage. The actual fabric is always 4" less than the awning width ordered (see sketch on back), and the optional hood is always 1" longer than the awning width.

PROJECTION:

When measuring the projection of the awning take the view from the window into consideration. When the awning is extended in normal position the view should not be obstructed. The projection of the awning should be equal to half the height of the window. The awning will extend down 160 degrees for more privacy and protection from late afternoon sun. Minimum projection available is 15”.

For complete information please read the installation manual.



SUNAIR[®] AWNINGS & SCREENS
2012© AWNINGS UNLIMITED INC.
P.O. Box 1068 7785 Rt. 175,
Jessup, MD 20794

JESSUP, MD 800 - 548 - 0408
PHOENIX, AZ 877 - 272 - 3920