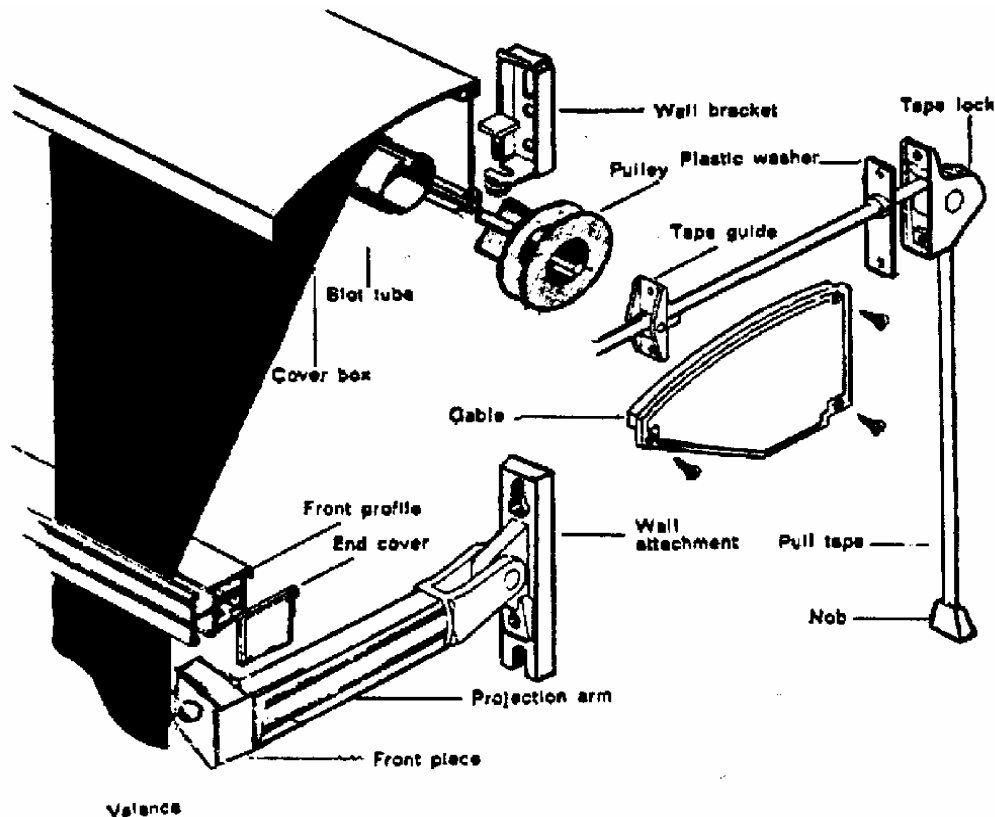


COMBI & MINI INSTALLATION



INSTALL THE BRACKETS:

Snap a horizontal chalk line at the point determined to be the top of the cassette. Mount the top of the brackets at this point 4" from each end of the awning. Space any extra brackets evenly. Note: If the window opens out, make sure to leave enough room for the valance to clear the window when the awning is retracted. Use 1/4" lag bolts penetrating at least 2" into solid wood.

ATTACH THE CASSETTE:

Attach the cassette onto the brackets by hooking the cassette on the top flange of each bracket. Insert one small T-screw into the bottom slot of the cassette for each bracket installed. Secure the cassette to the brackets by bolting through the open slot of the bracket and fastening with the nuts supplied. Make sure the cassette is centered over the window.

IF TAPE OPERATED INSTALL THE TAPE LOCK:

Outside Tape: Install the tape lock waist high on the wall as shown in picture on reverse side. Thread the pull tape through the hole and attach the acorn. Install the cleat right below the lock.

COMBI INSTALL CONTINUED:

Inside Tape: Determine the point to drill through the wall usually right below the cassette (see sketch below). Drill through the wall preferably through a stud with a 1/2" drill bit. Mount the tape guide on the outside and pull the tape through the wall. Feed the tape through the rear of the tape lock and mount the lock on the wall at the penetration point. Attach the Acorn. The cleat is usually not used for this type of installation.

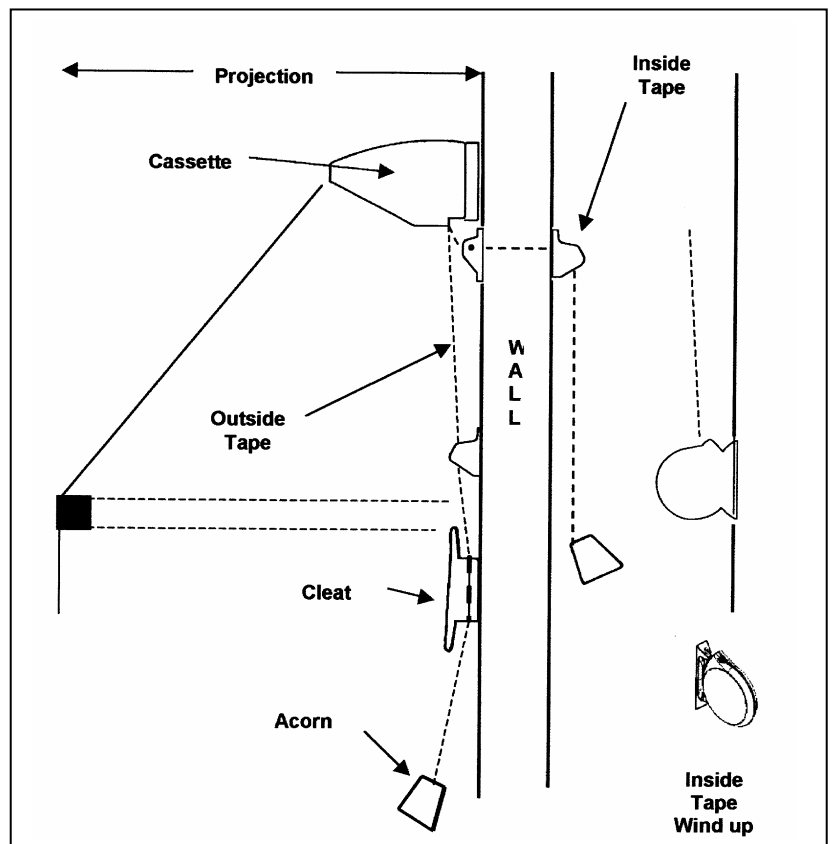
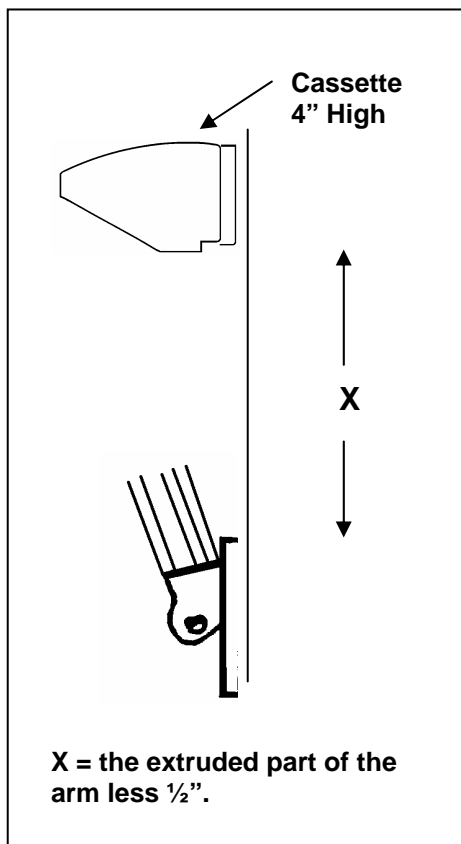
INSTALL THE ARMS:

Determine the proper position and mounting height of the arms. Measure the extruded part of the arm. The extruded part of the arm less 1/2" should be the vertical distance between the bottom of the cassette and the top hole of the wall attachment of the arm (see sketch below left).

Mark the proper position of the arm. With the arm in down position pointing toward the ground bolt the arm on the wall with the front arm attachment pointing towards the center of the wall. Repeat this procedure for the second arm. Slide the two large T-bolts onto the front bar. Bring the arms up one at a time, and attach to the front bar with the nuts supplied. Attach the front bar end caps. Lower the awning to its lowest position. Cut off the excess pull tape 12" below the cleat depending on the length needed to reach the pull tape. Check the lowering and raising of the awning a couple of times.

Note: If the awning is motorized follow instruction to set limits after the arms have been installed.

MINI INSTALLATION: Follow the same steps as a Combi awning except mount small end brackets instead of the cassette brackets.



SUNAIR® AWNINGS & SCREENS

2009© AWNINGS UNLIMITED INC.

P.O. Box 1068 7785 Rt. 175, Jessup, MD 20794
JESSUP, MD 800 - 548 - 0408 PHOENIX, AZ 877 - 272 - 3920