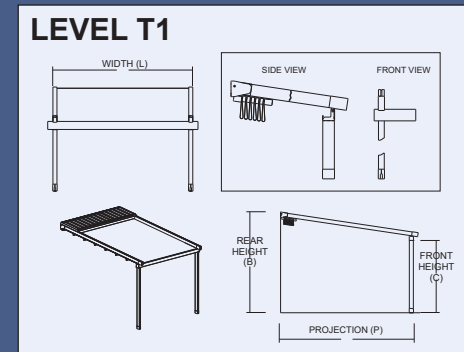
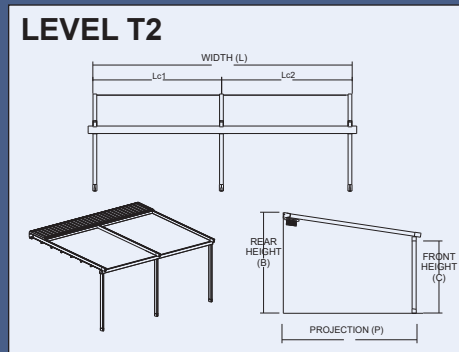


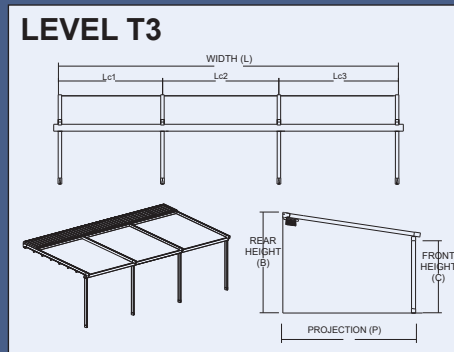
The inclined pergola models are wall mounted with a minimum suggested slope or pitch.
 Drainage is forward to the above post mounted gutter. Gutters channel water down front posts and out post foot.



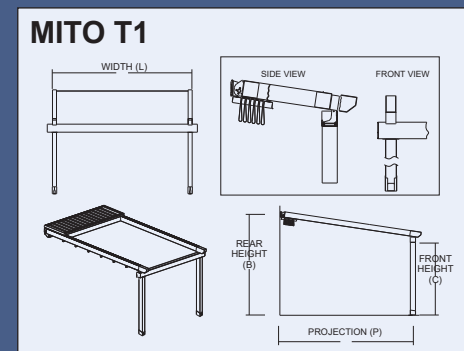
LEVEL T1 (maximum)
 Width: 500.0 cm (16'-4.8504")
 Projection: 650.0 cm (21'-3.9055")



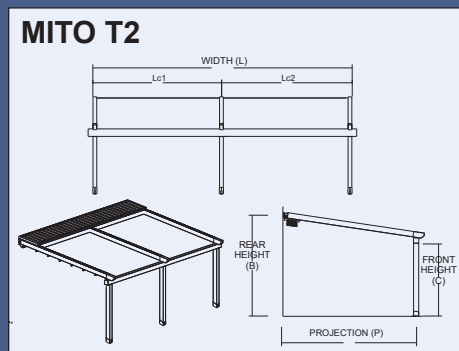
LEVEL T2 (maximum)
 Width: 900.0 cm (29'-6.3307")
 Projection: 650.0 cm (21'-3.9055")



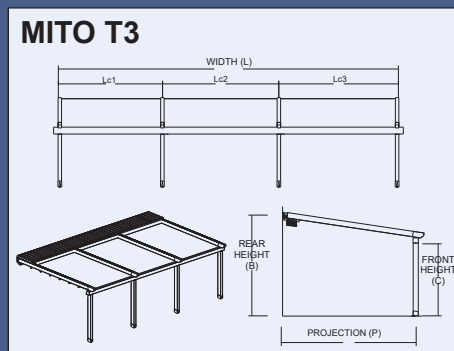
LEVEL T3 (maximum)
 Width: 1300.0 cm (42'-7.811")
 Projection: 650.0 cm (21'-3.9055")



MITO T1 (maximum)
 Width: 500.0 cm (16'-4.8504")
 Projection: 900.0 cm (29'-6.3307")



MITO T2 (maximum)
 Width: 900.0 cm (29'-6.3307")
 Projection: 900.0 cm (29'-6.3307")

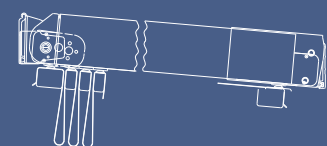


MITO T3 (maximum)
 Width: 1300.0 cm (42'-7.811")
 Projection: 900.0 cm (29'-6.3307")

The **TECNIC & ONE** pergolas are top covers only and can be mounted wall to wall or under an existing pergola.

TECNIC: Has a max projection of 800.0 cm (26'-2.9606")
T1 Max - Width: 500.0 cm (16'-4.8504") / **T2 Max** - 900.0 cm (29'-6.3307") / **T3 Max** - 1300.0 cm (42'-7.811")

ONE: Has a max projection of 900.0 cm (29'-6.3307")
T1 Max - Width: 500.0 cm (16'-4.8504") / **T2 Max** - 900.0 cm (29'-6.3307") / **T3 Max** - 1300.0 cm (42'-7.811")



Our systems are classic, modern and elegant.
 They can be fitted with LED lighting and roll down screens or fabric with windows allowing extra weather protection and three season use.



Since 1880 SUNAIR® has been protecting you from the sun and rain.

Now, we offer you the opportunity and the satisfaction of creating something unique.

A reflection of your personal style.



SUNAIR Awnings & Solar Screens
 Jessup, MD & Phoenix, AZ
 410-799-1145
www.sunairawnings.com
info@sunairawnings.com



**INCLINED
 RETRACTABLE FABRIC
 PERGOLAS**
 For Your Home or Business

www.sunairawnings.com





The SUNAIR® Inclined PERGOLA® systems are ideal for residential homes, restaurants or country club patios. Constructed of durable aluminum powder coated frames with optional coating colors and textures. Covered with several optional fabric color choices and under covers materials.



The SUNAIR® Inclined PERGOLA® is the ultimate solution for your patio and outdoor serving areas. The convenience of a motorized retractable roof with the durability to handle inclement weather to maximize and utilize your outdoor space. Extend your peak season and increase your profitability with endless possibilities.

