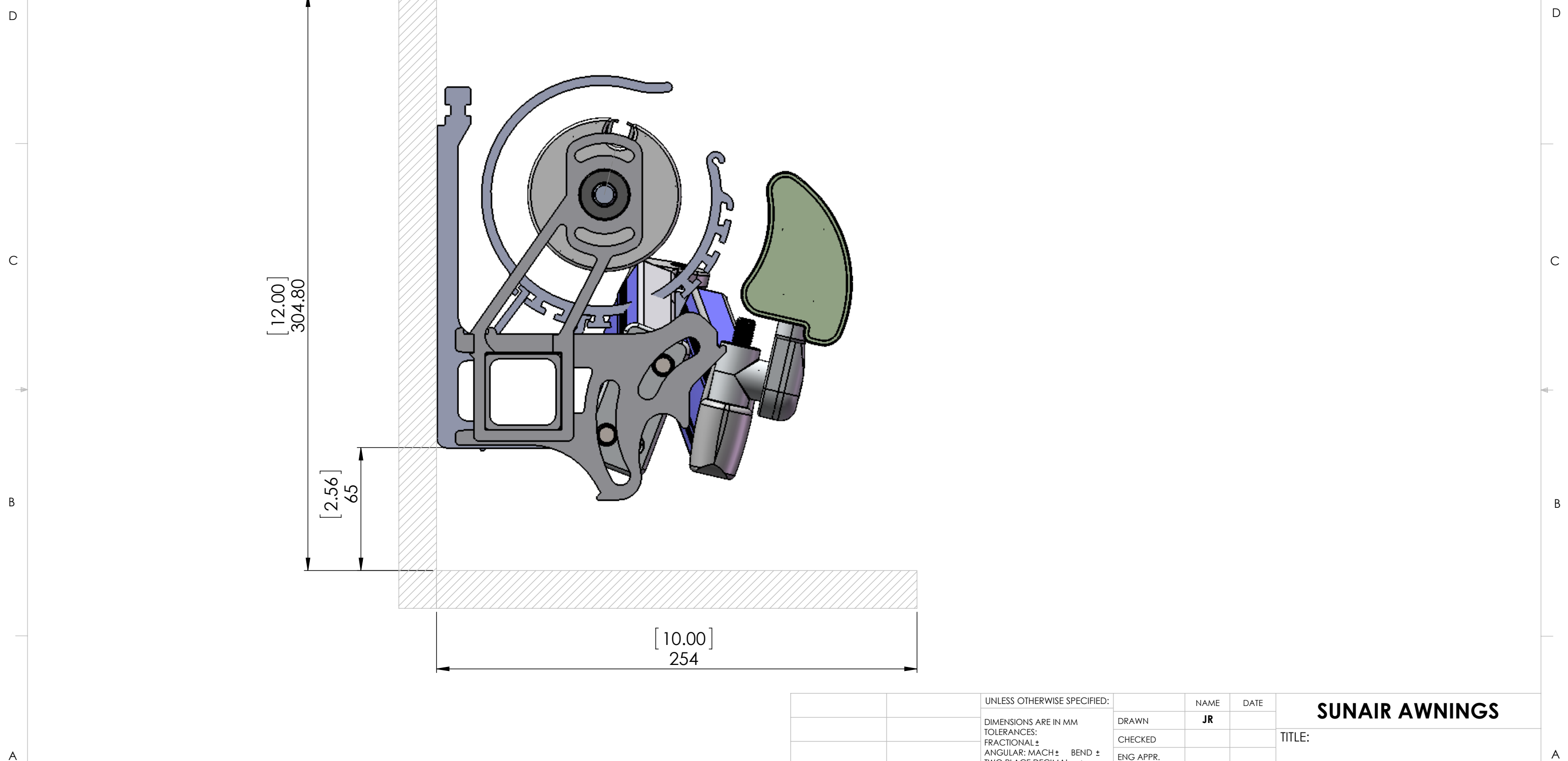


8 7 6 5 4 3 2 1



PROPRIETARY AND CONFIDENTIAL
 THE INFORMATION CONTAINED IN THIS DRAWING IS THE SOLE PROPERTY OF AWNINGS UNLIMITED INC. ANY REPRODUCTION IN PART OR AS A WHOLE WITHOUT THE WRITTEN PERMISSION OF AWNINGS UNLIMITED INC. IS PROHIBITED.

		UNLESS OTHERWISE SPECIFIED:		NAME	DATE	SUNAIR AWNINGS TITLE: Sunair Awning Assembly
		DIMENSIONS ARE IN MM	DRAWN	JR		
		TOLERANCES:	CHECKED			
		FRACTIONAL ±	ENG APPR.			
		ANGULAR: MACH ± BEND ±	MFG APPR.			
		TWO PLACE DECIMAL ±	Q.A.			
		THREE PLACE DECIMAL ±	COMMENTS:			
		INTERPRET GEOMETRIC TOLERANCING PER:				
		MATERIAL				
		FINISH				
NEXT ASSY	USED ON					
APPLICATION		DO NOT SCALE DRAWING				
						SIZE B
						DWG. NO.
						REV
						SCALE: 1:20
						WEIGHT:
						SHEET 1 OF 1

8 7 6 5 4 3 2 1