

Model: VISION Adjustable Louvered Pergola®

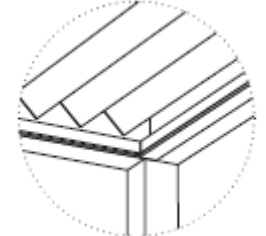
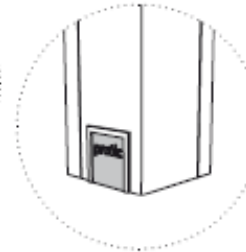
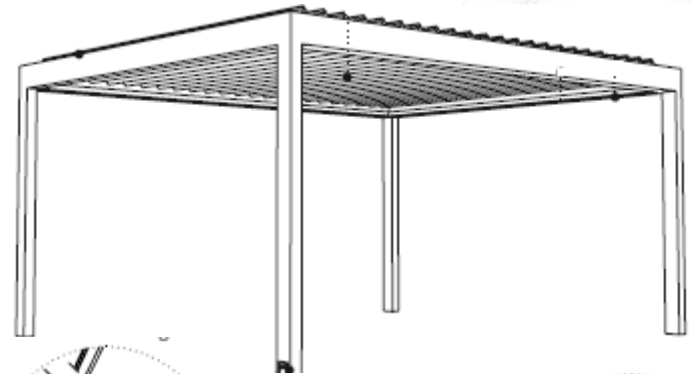
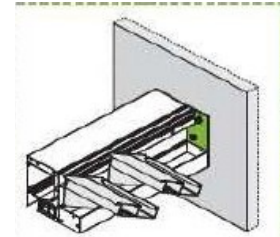
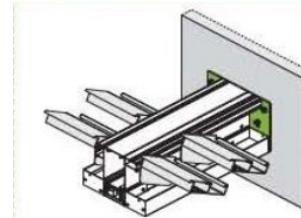
Revised 02/15/2023



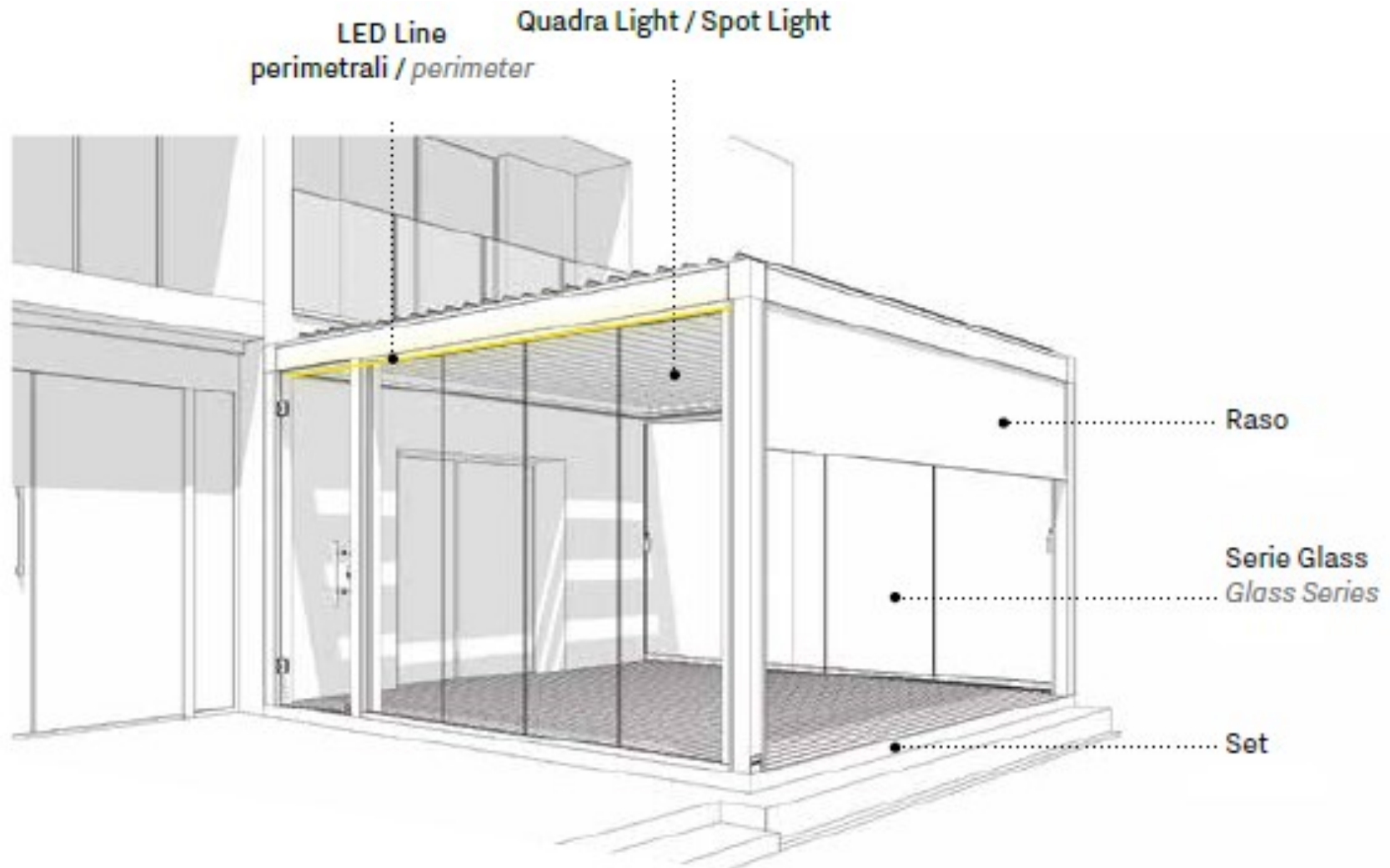
Application	Maximum Width	Maximum Projection	Options
Free Standing or Wall Mounted Commercial & Residential	5 m H 51 / 5.5 m H 62 16' 5" / 18' wide Per module	6.9 m / 22' 7 5/8" proj.	LEDS, Heaters, Set Flooring Slide Glass

PRODUCT FEATURES:

- Motorized Louvered roof pergola.
- Adjustable blades up to 140°
- Ideal for free standing or wall mounted applications.
- Internal gutter and downspouts for water drainage.
- Designed to withstand some loads. Please inquire with Sunair office.
- Sloped louvers for drainage into gutter
- Multiple modules can be mounted side by side with common posts to create larger width.
- All aluminum frame powder coated.
- Motorized all sizes.
- Screens optional on OPERA model only.
- Powered with a LINAK motor.



FUNDAMENTALS: VISION



VISION:



VISION: Residential Installations



VISION ADVANTAGES

Blades Closed



Blades opened 45 degrees



Blades opened 90 degrees



Blades opened 140 degrees



Blades opened on side



Solar Modulation



Air Recirculation



Rain Protection



Load Resistance



Vision have been tested to see how water-proof they are by the Giordano Institute which simulated rain equal to 369 mm / hour with pressure of 3.4 bars during an unidentified amount of time. An Opera 14' 9" wide 19' 8" projection (450 cm wide x 600 cm projection) with two rain events or downpours.

ADVANTAGES con't

VISION can be wall mounted or free standing structures. The supporting profile and guides are 8 ½” high (22 cm). Posts are 10 cm x 15 cm (Foot plate is wider).

Water management within the gutter system and discharge within the posts is a Pratic patent. Optional telescoping post feet are available for ease of installation.



Optional Comfort louvered blades or foam filled louvers minimizing noise from “rain”

The offer more pre-assembled structure components for a safer and easier installation on site.

The VISION RGB LED multi colored lighting offers a fascinating elegant remote controlled lighting option (White lights included).

VISION is a solid, made to measure structure that can reach large sizes (18’ x 22’11” for Opera model). Coupling of multiple structures to make larger sizes is possible with common posts .

ALUMINUM



The Bioclimatic Pergola Vision, is made of all extruded aluminum profiles.

STAINLESS



Brackets, pins, plates and screws of the entire line are made of 304 & 470 stainless steel. These alloys are recognized to resist rusting.

PATENTS



Pratic filed 6 patents that protect the technical and functional characteristics of the bioclimatic Pergola®, patents that guarantee the uniqueness and quality of the Vision model.

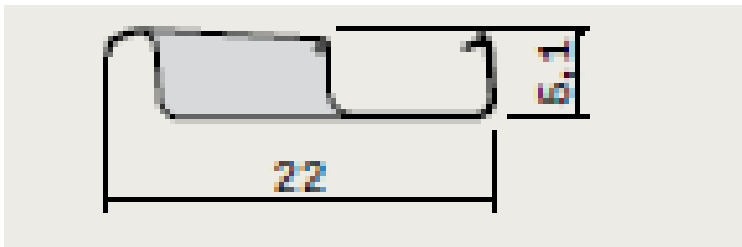
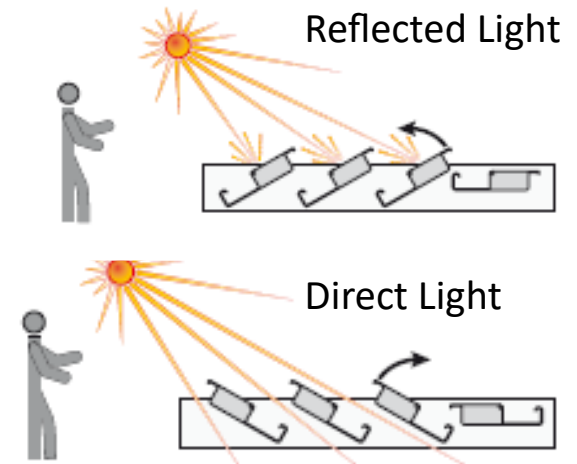
FINISHES & PAINTING



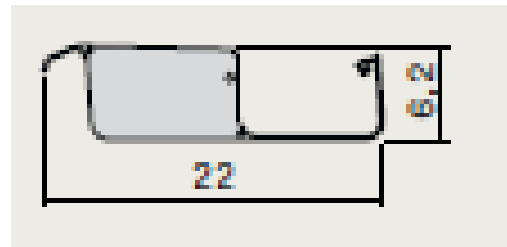
In the coating process the aluminum profiles and steel components are subjected to a special "pretreatment" which improves paint adhesion and resists corrosion. The powder coat paint process is applied according to "Qualicoat" standards which guarantees the painted aluminum parts.

LOUVER OPTIONS: VISION

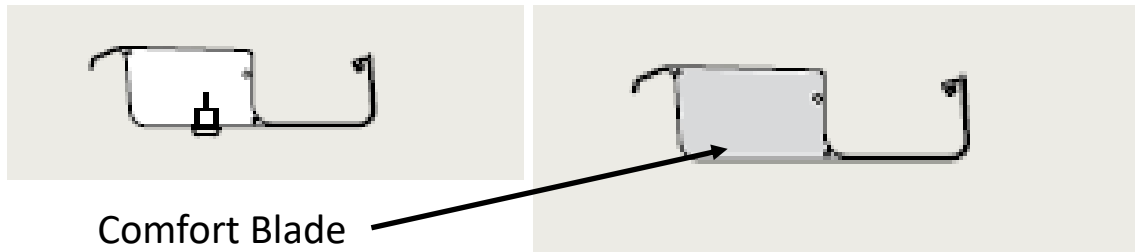
For best sun blocking affect and ability to adjust the louvers so that you block the sun while also allowing filtered light through openings of the louvers it is best to configure the louvers to run parallel with NORTH / SOUTH. It is also best to configure the louvers so that they reflect the sun in afternoon “Reflective Light”. The person to right is positioned at front of awning system and louvers can adjust 140° towards person depicted in illustration.



H62 Louver max width 5.5 meter / 18 ft wide



H51 Louver max width 5 meter / 16' 5" wide



Comfort Blade

Foam filled

Comfort Blade is an optional foam filled louver minimizing noise from “rain”

NOTE: Not available with Spot

WATER TEST



Vision, has been tested to see how water-proof they are by the Giordano Institute. They tested for water tightness (blades, gutters and drainage) using the test system certified by the Giordano Institute (Test report no. 319934).

The tests were conducted and certified by:



DESCRIPTION OF TEST

The test was performed on an Opera bioclimatic pergola measuring 450 cm x 600 cm and on a Nomo bioclimatic pergola measuring 550 cm x 700 cm, professionally installed, simulating precipitation equal to 369 mm per hour and at 3.4 bars pressure, three times the reference value of 100 mm per hour (corresponding to a artificial cloudburst) as required by standard IEC 60721-2-2.

Particular weather conditions and/or particular types of installation can create unforeseeable operating conditions and/or in any case different from the laboratory tests we have carried out and/or can cause water seals, static seals etc. different and/or inferior comparing to the simulations carried out in the laboratory.

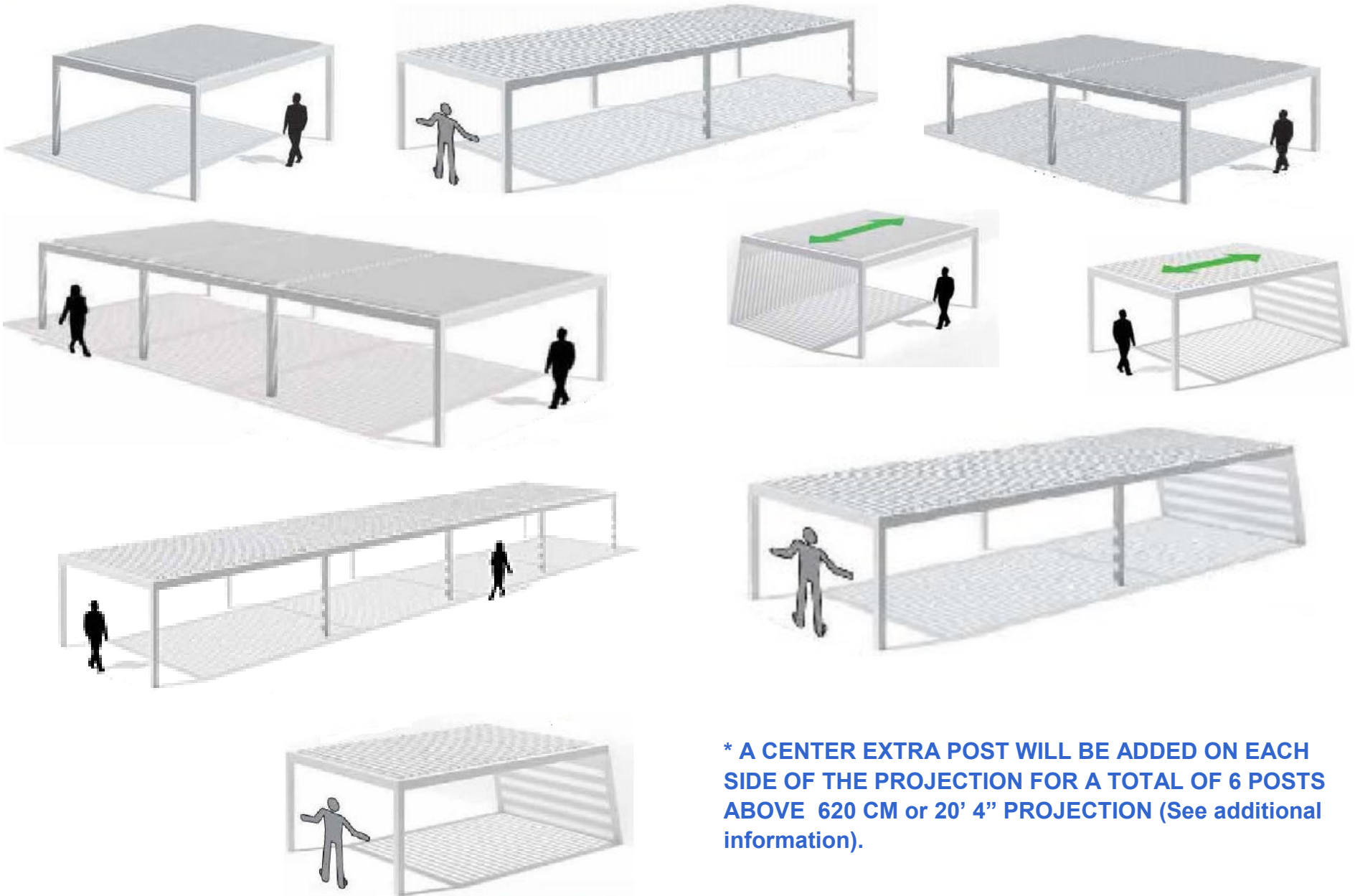
RESULT

«No water infiltration inside. Correct drainage with no accumulation.».

LIVE LOADS

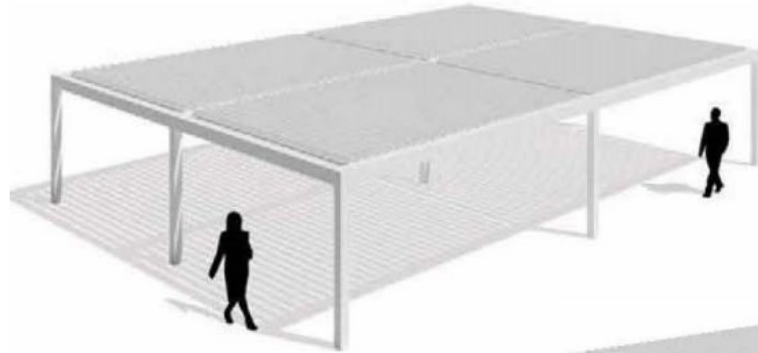
Vision, have been tested to allow for some “live” load when in use. Please refer Pratic documents calculating maximum permissible loads for each system by size. Special care must be taken when using the Louvered system in snow conditions.

VISION: Some possible model configurations

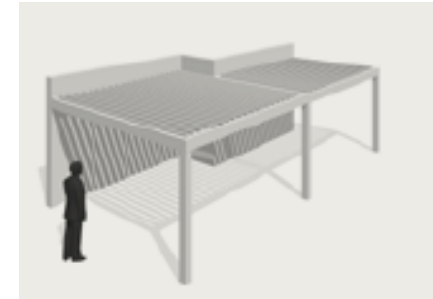
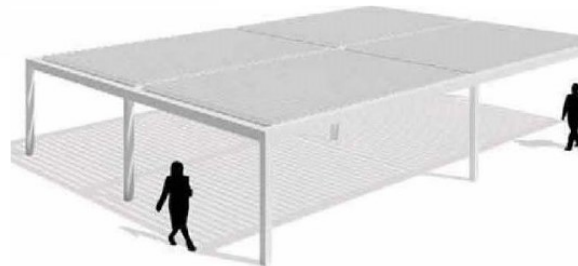


* A CENTER EXTRA POST WILL BE ADDED ON EACH SIDE OF THE PROJECTION FOR A TOTAL OF 6 POSTS ABOVE 620 CM or 20' 4" PROJECTION (See additional information).

Out of standard configurations



Inquire with Sunair office on any system that pairs modules on both the (L) width side and (P) projection side simultaneously at the same time.



Vision model only.



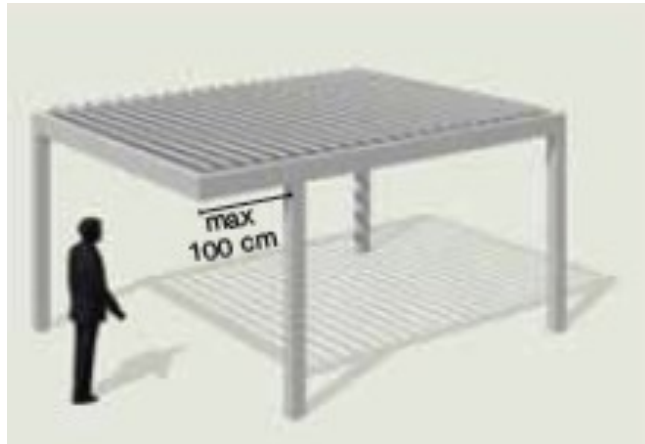
Also inquire on uneven sections or modules to be joined.

Inquire with Sunair office on this possibility eliminating center post at front

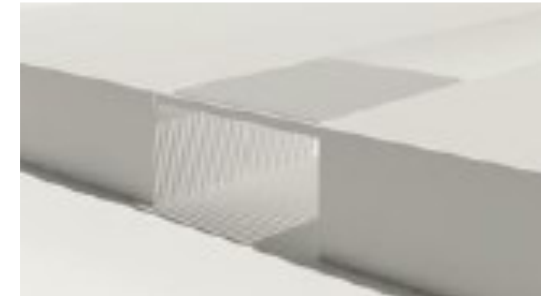
Available with Vision Model only Max width 6 meters x 4 meters projection (19' 8" Wide x 13' 1 1/2" Projection). Optional cantilevered posts not available in this configuration.



Other Options (Please inquire with Sunair feasibility)



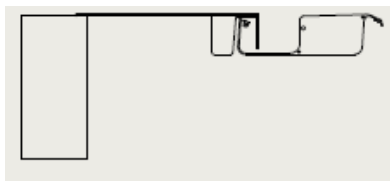
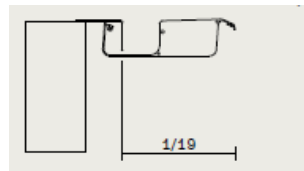
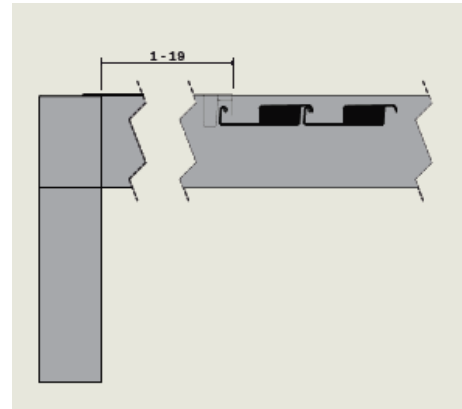
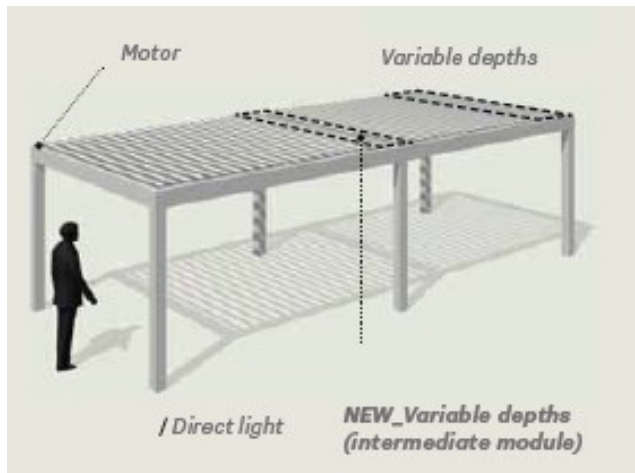
Cantilevered post maximum 100 cm or 39" from corner.



Vision unit mounted wall to wall. Available with Vision single module only. Standard size in this configuration is 5 meters x 5.9 meters projection (approx. 16' 5" w x 19' 4" proj.)

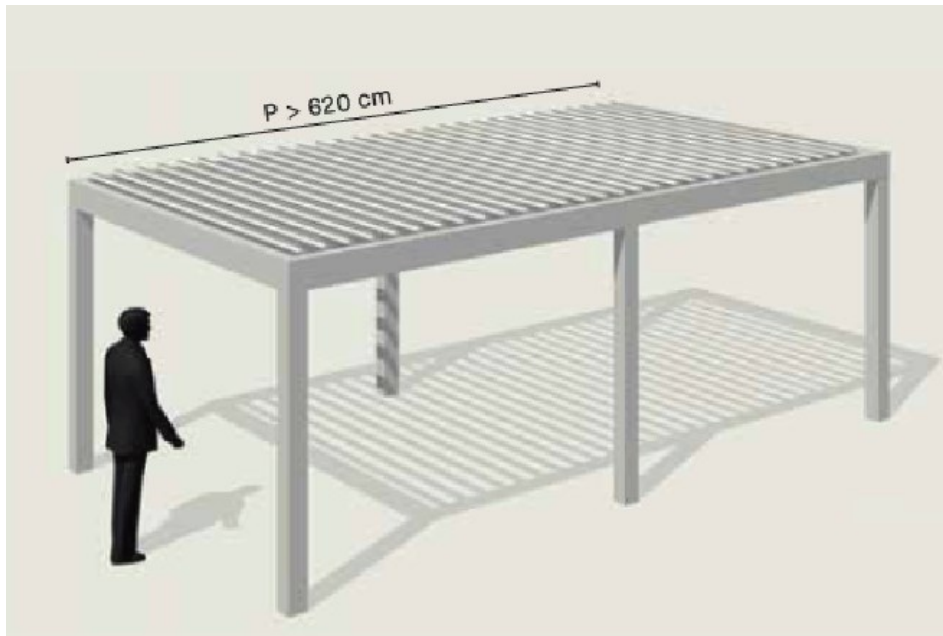
Filler piece can be added to make it more projection up to 600 cm (19' 8").

Please inquire with Sunair on exact size available.



Opera and Vision can be ordered with a custom projection and not in full louvered slat widths by adding a "filler" piece (Other than full width slat projection) in up to 1 cm increments (1—19 cm). This custom filler piece must be located on opposite side of the motor. This configuration is also not available on wall mounted units with O2L with slats configured with "Direct Light" towards the filler piece. The custom sized filler piece is extra cost and unit is priced at next largest size plus cost of filler piece.

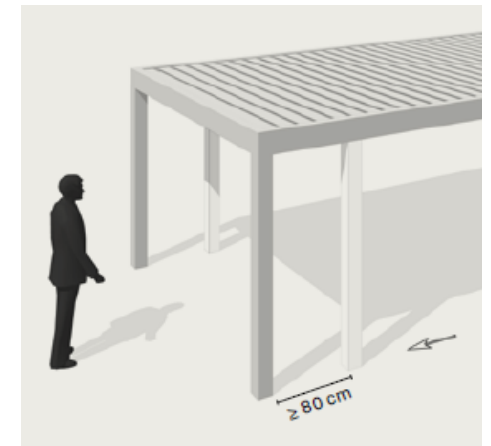
Maximum Projection without intermediary posts



Vision can both be made with projections up to 700 cm or maximum 33 each blades. Projections greater than 620 cm or 29 each blades must have an additional upright post added on each side of the Pergola unit (See illustration top Right). If not indicated by customer, this upright will be centered under the beam on both the projection sides. This intermediary upright post can be placed off center by 100 cm maximum. This configuration requires at least three (3) drainage points per module.

Note: For any Vision above 620 cm projection (P),

Six (6) posts are automatically included in the price of the unit.



Minimum distance from intermediate post to corner post is 90 cm / 36"

Possible Sizes Per Module:



Max 500 cm

*Max Vision 690 cm

Post needed on projection side above 620 cm.



Max 1000 cm

*Max Vision 690 cm

Post needed on projection side above 620 cm.

VISION:

Max module width 18' (550 cm)

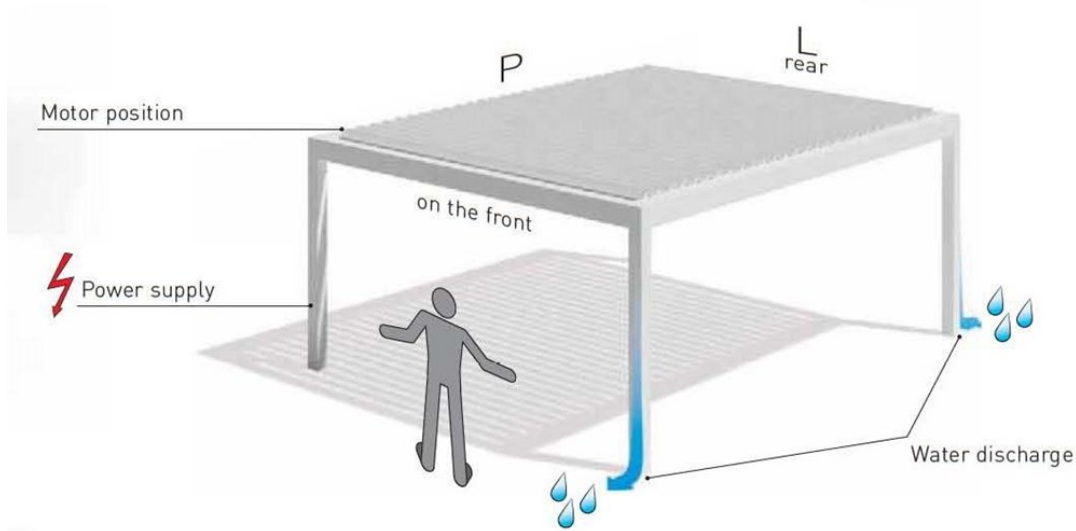
Max module proj. *22' 7 5/8" (690 cm)

*NOTE: If over 620 cm projection, a middle posts is needed on each projection side.

NOTE:

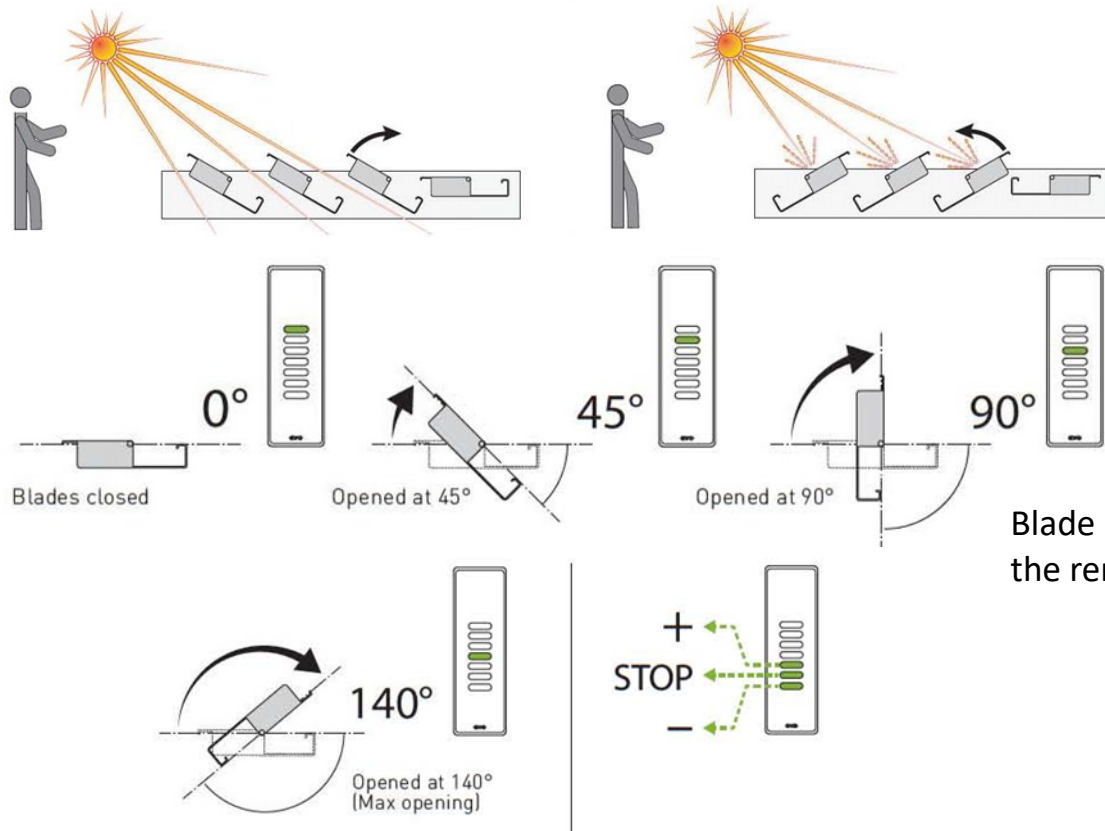
Louvered metal slats are 20 cm wide, so finished projection will be in increments of 20 cm (7.87"). You may need to increase or decrease your desired projection accordingly. You can also add a "fixed " filler piece in the back for custom exact sized units (See filler piece option).

When coupled on projection side, max module projection is (590 cm) for Vision model. Please inquire with Sunair® office on exact finishing dimensions.



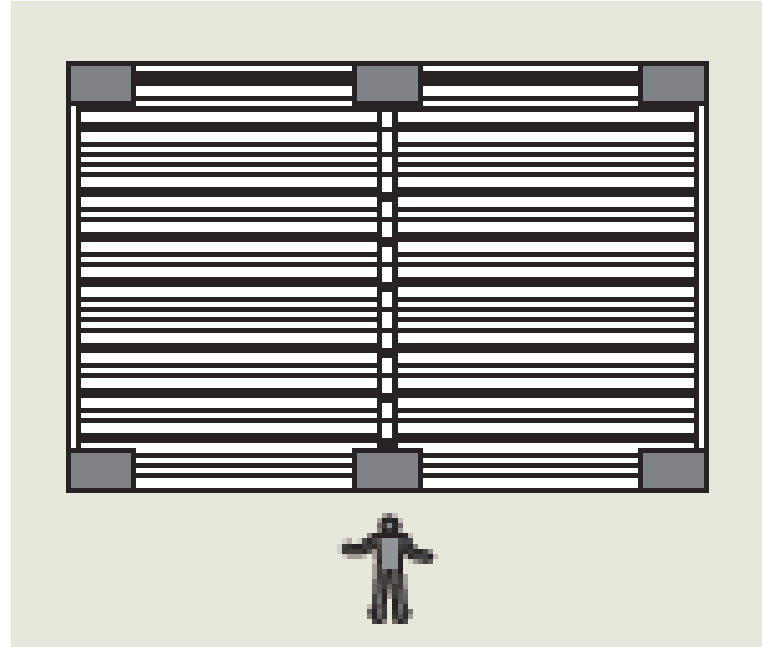
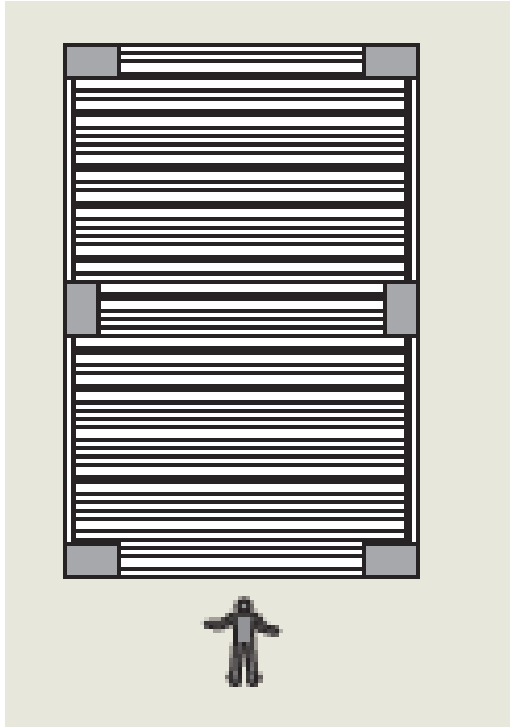
Water discharge should always be two (2) per module or section. It is not recommended to discharge in the posts that carries the electrical wiring. For additional modules at least one more discharge point is necessary per module.

NOTE: Optional for VISION is to have structure and louvers in two different colors.

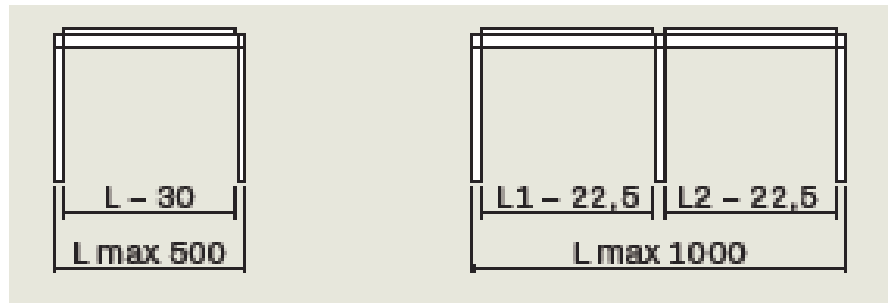
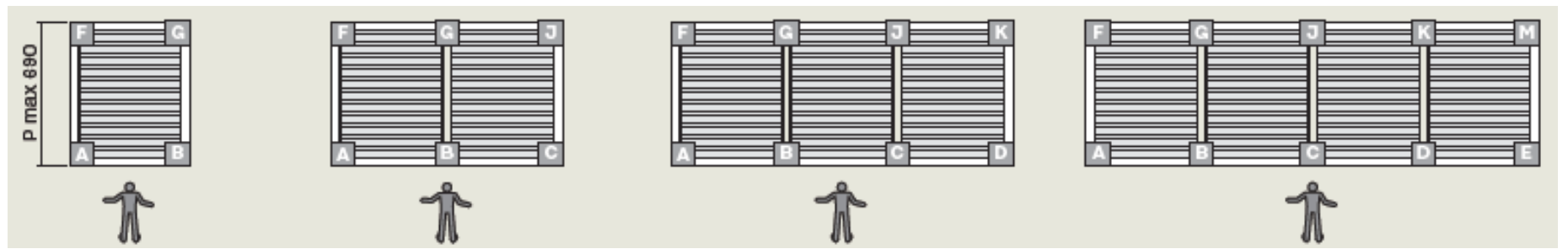


Blade rotation is pre-programmed on the remote as per pictures to Left.

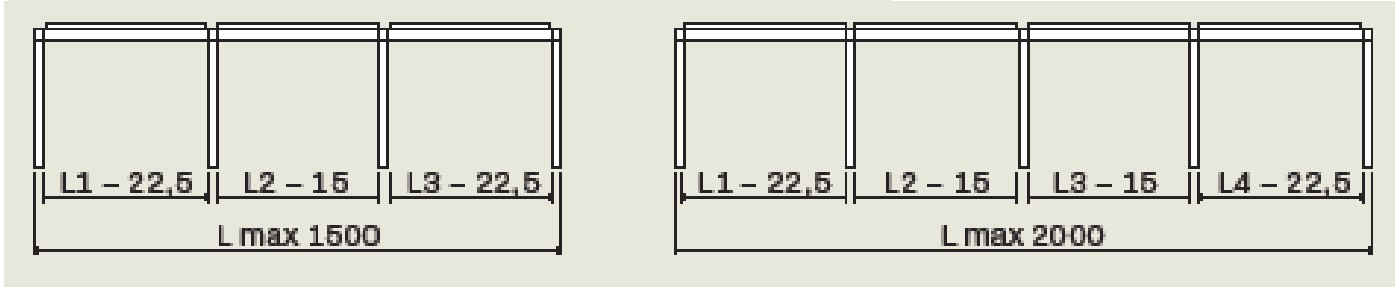
VISION Post Location and Orientation Diagram.



VISION 01L: Free standing and if multiple Coupled on projection side.

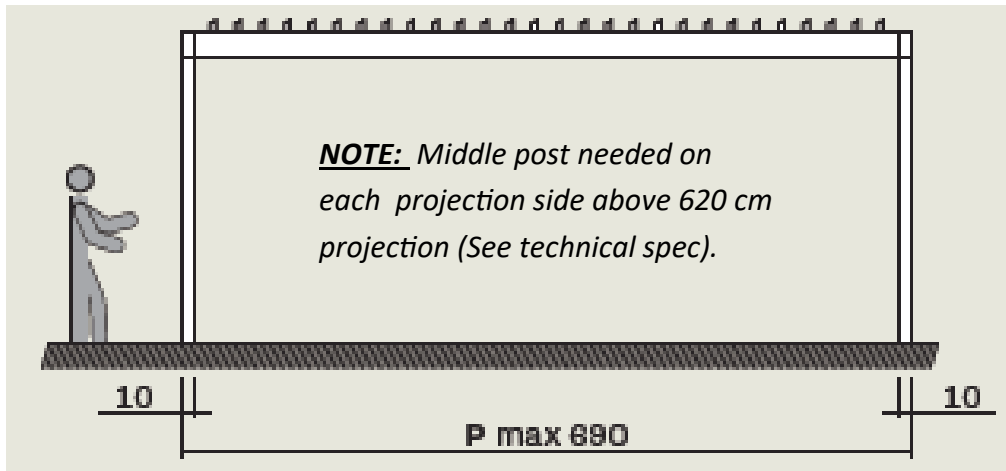


Note: Raso screens not available with VISION model.

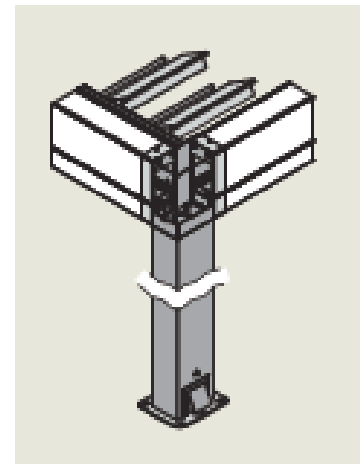
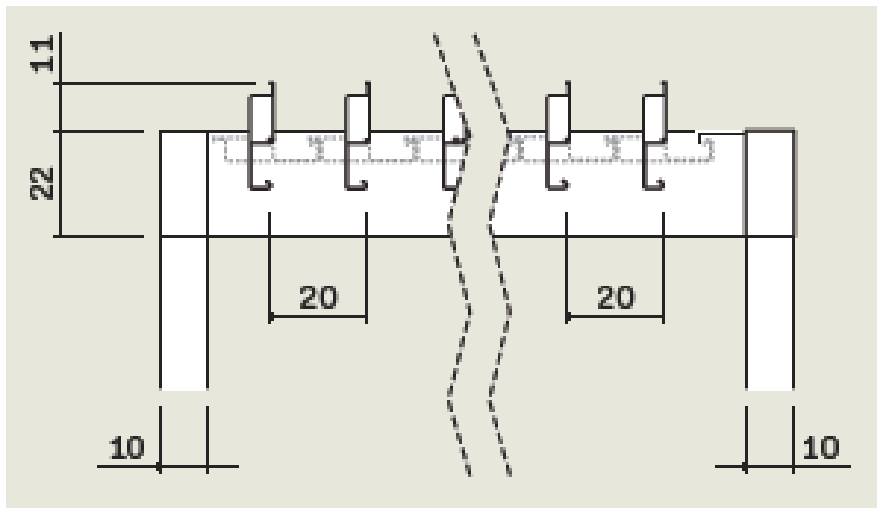
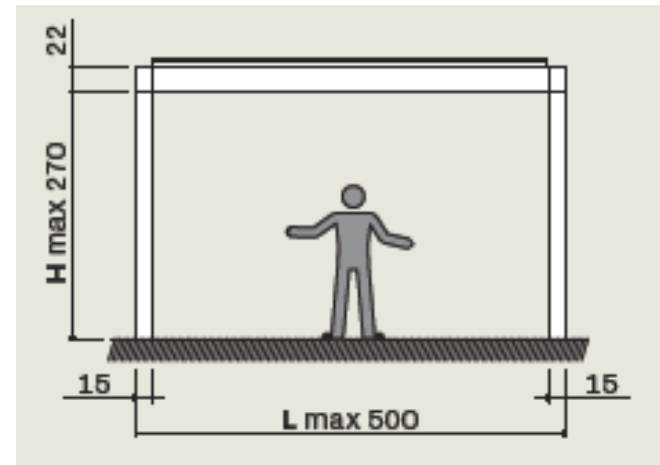


01L : Free standing and if multiple Coupled on projection side con't.

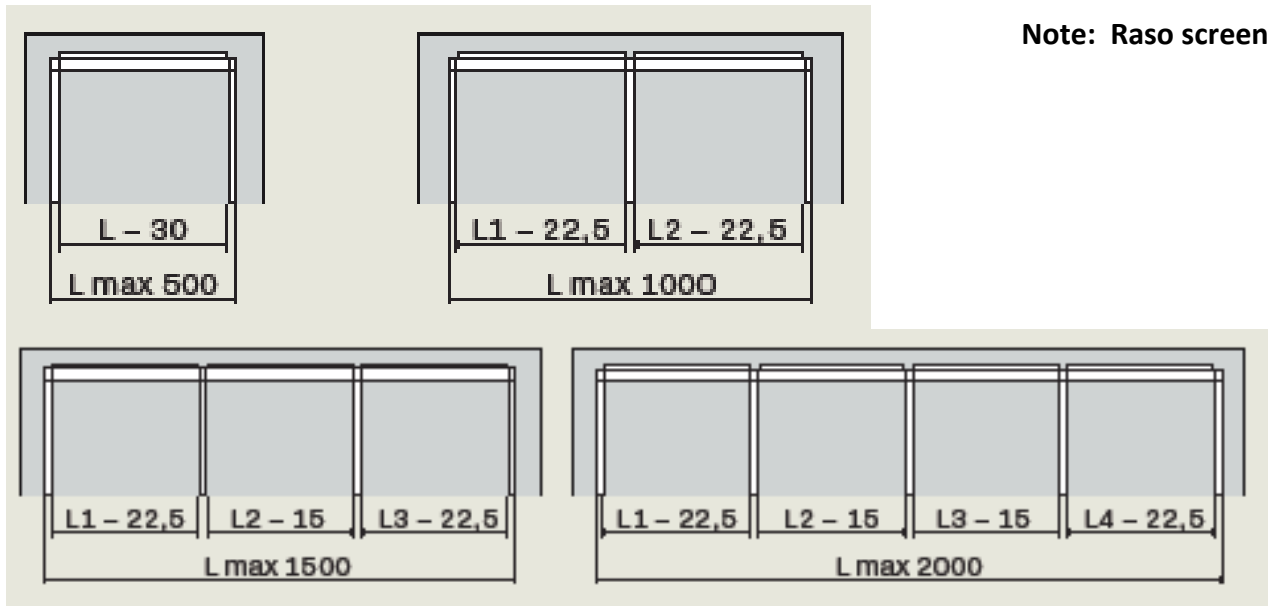
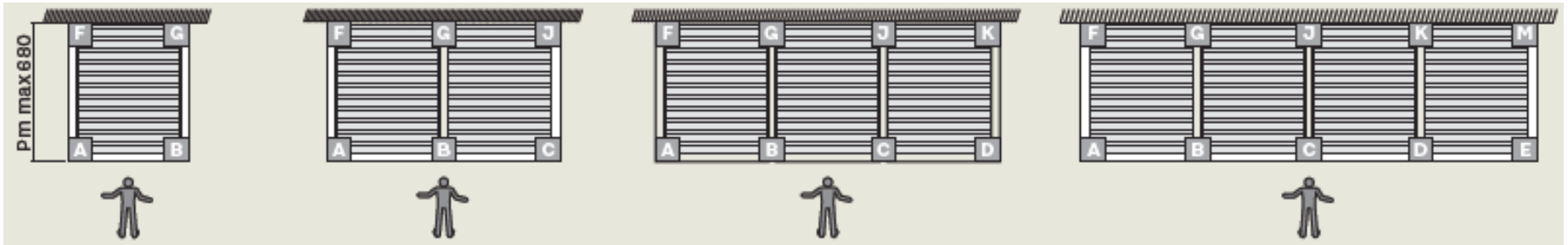
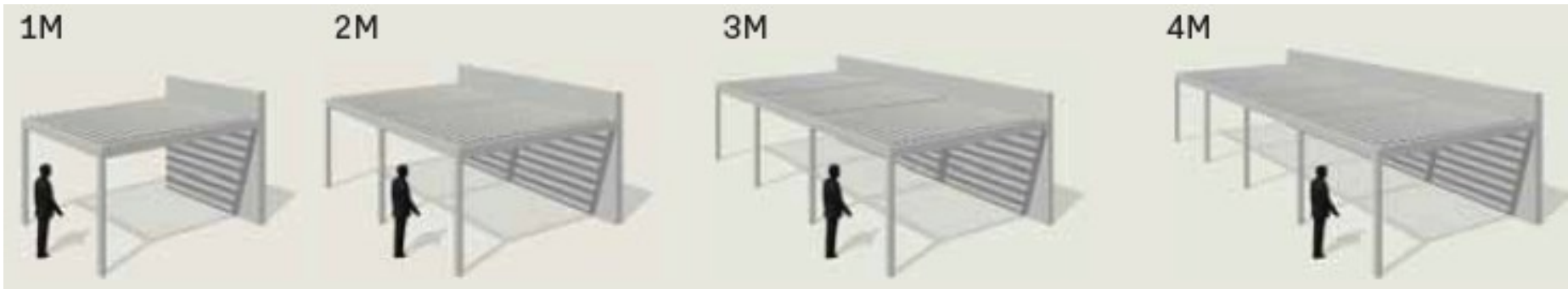
SIDE VIEW



FRONT VIEW



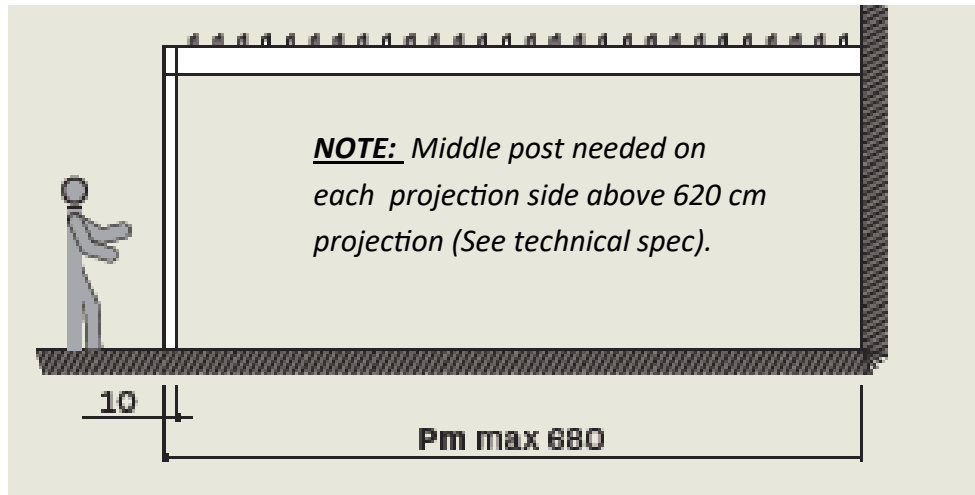
VISION 02L: Wall Mounted on width side Coupled on projection side.



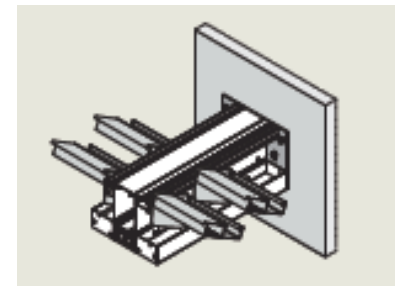
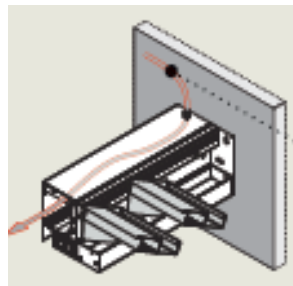
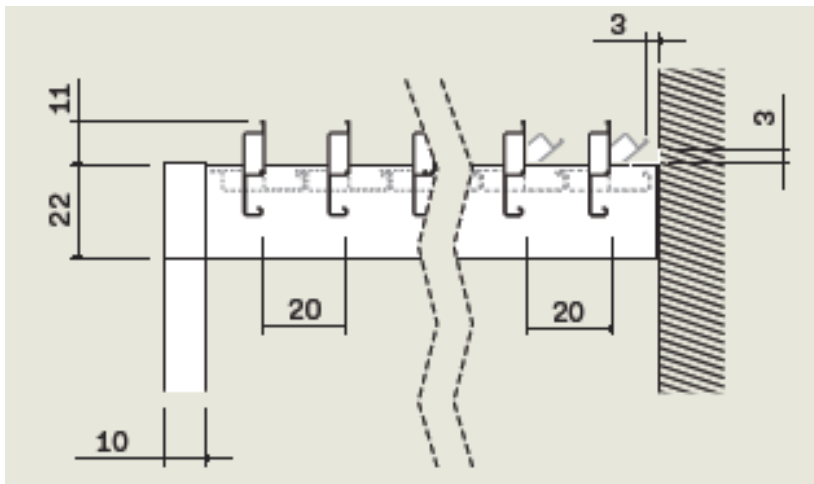
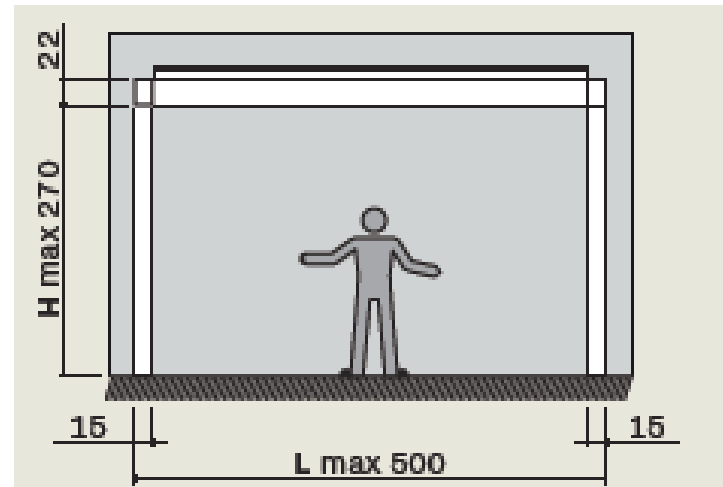
Note: Raso screens not available with VISION model.

VISION 02L: Wall Mounted on width side con't.

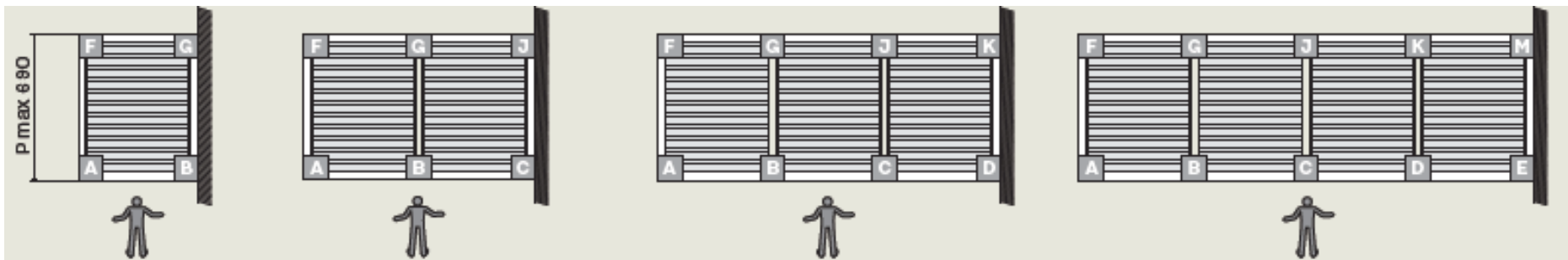
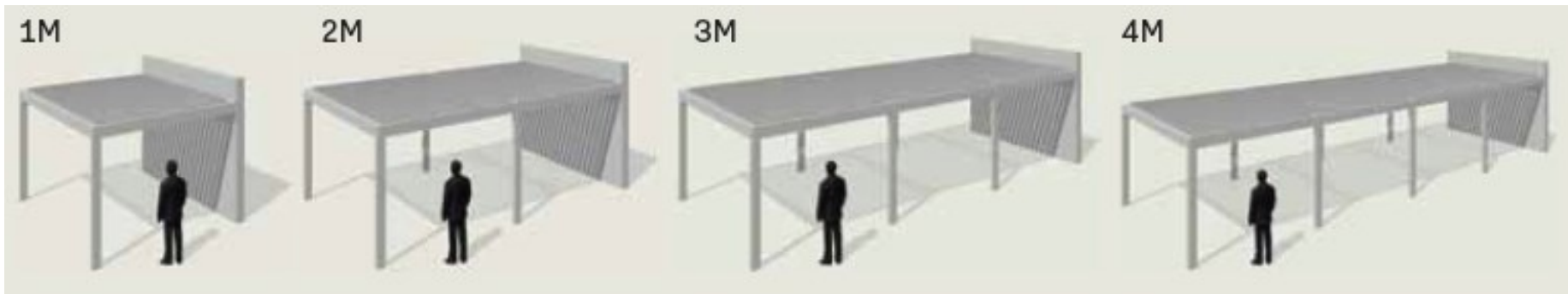
SIDE VIEW



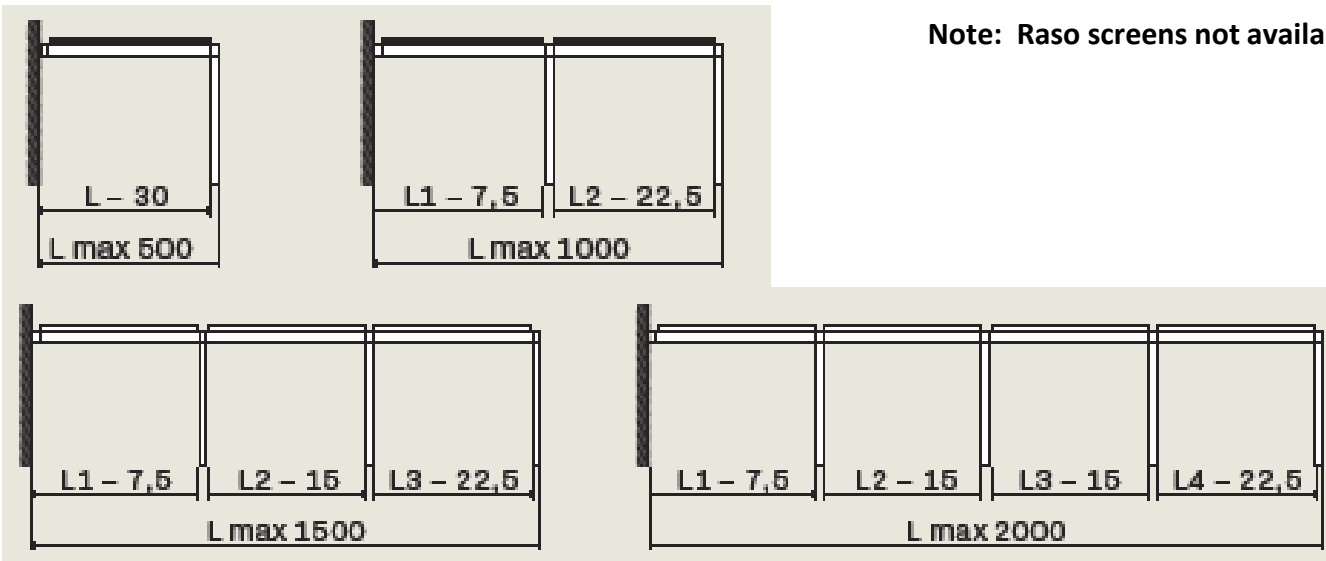
FRONT VIEW



VISION 03L: Wall Mounted on width side Coupled on width side.

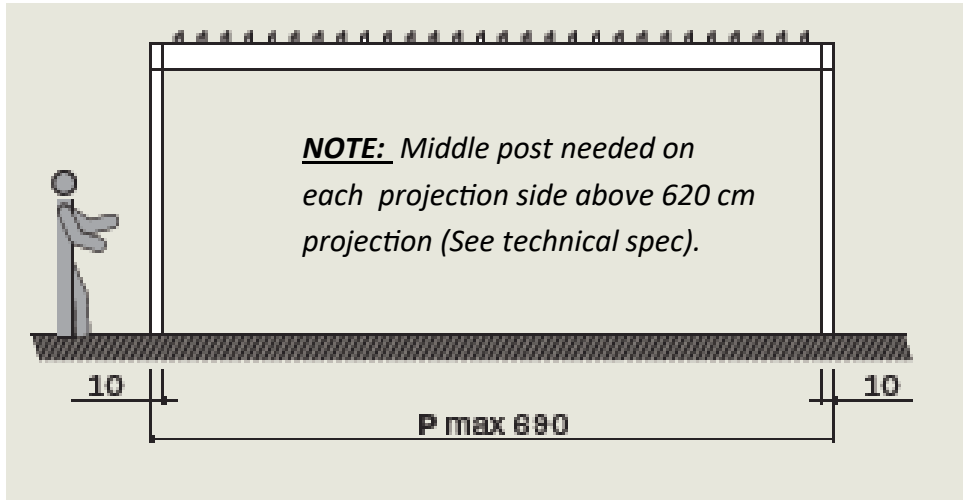


Note: Raso screens not available with VISION model.

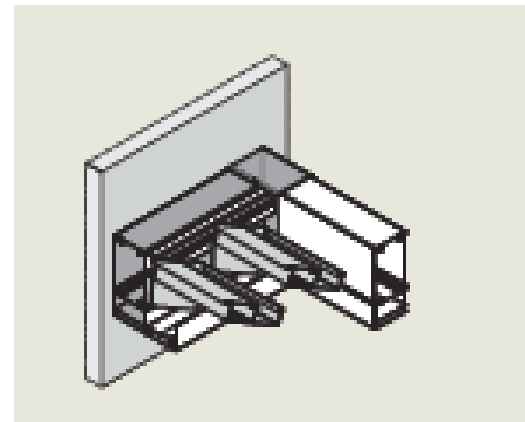
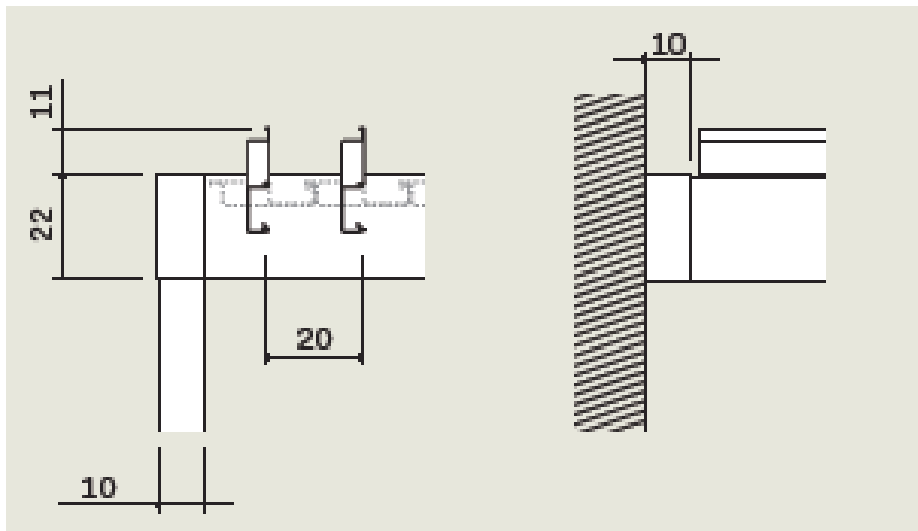
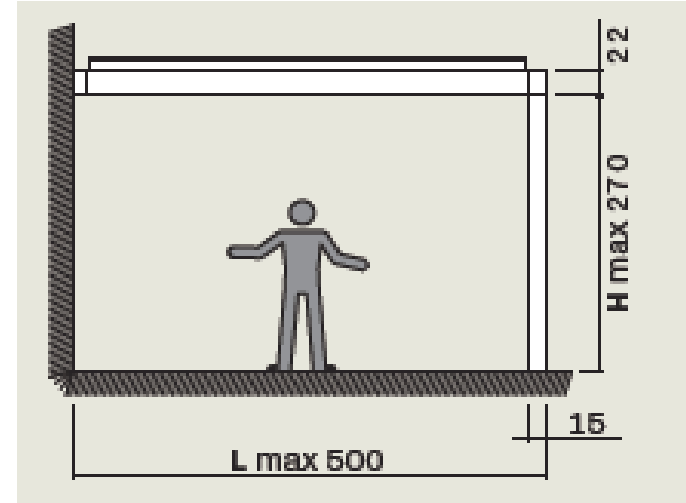


VISION 03L: Wall Mounted on width side con't.

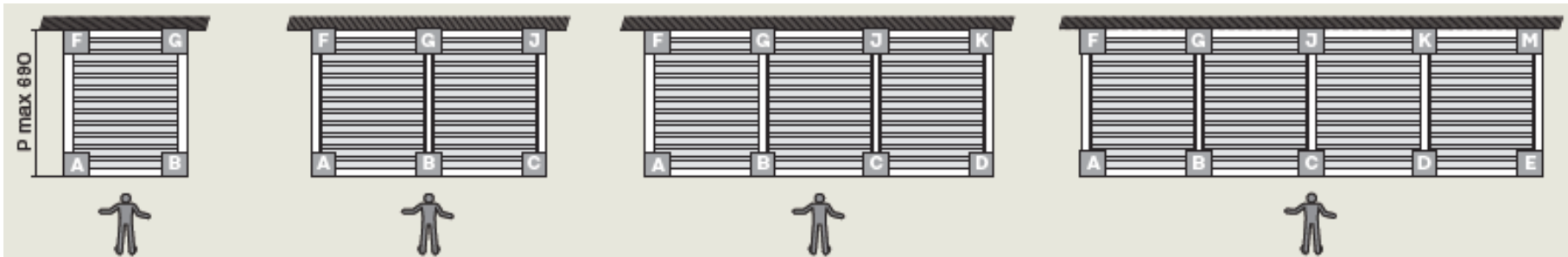
SIDE VIEW



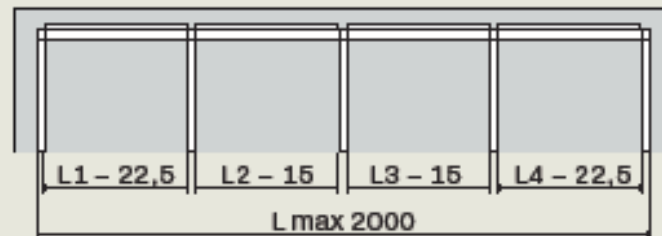
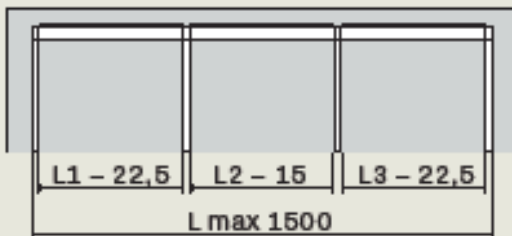
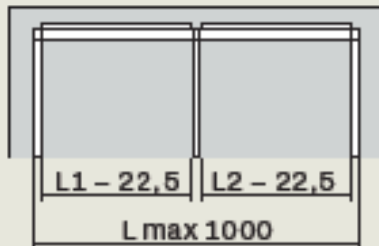
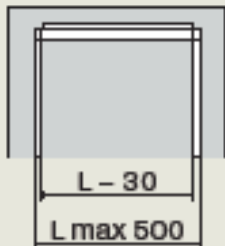
FRONT VIEW



VISION 04L: Wall Mounted on width side / Coupled on projection side with profile.

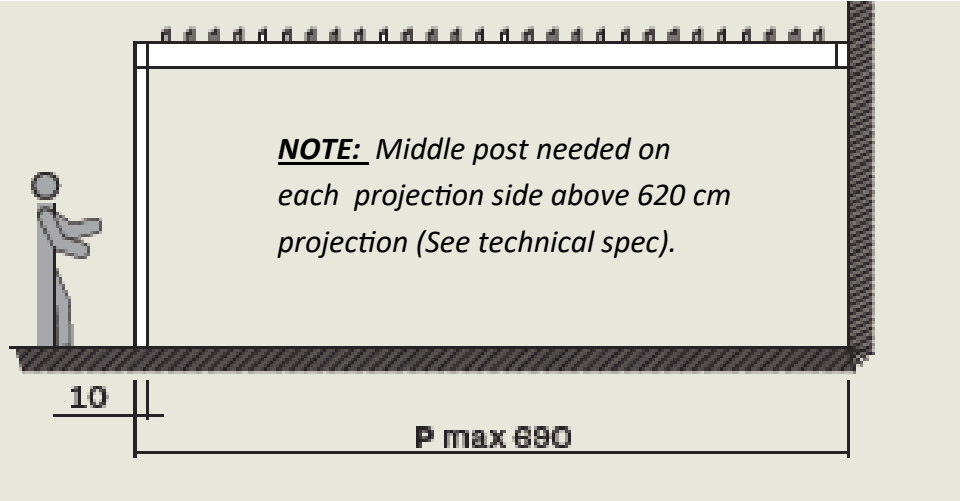


Note: Raso screens not available with VISION model.

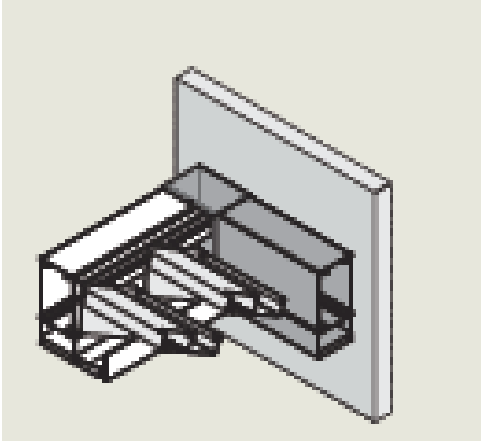
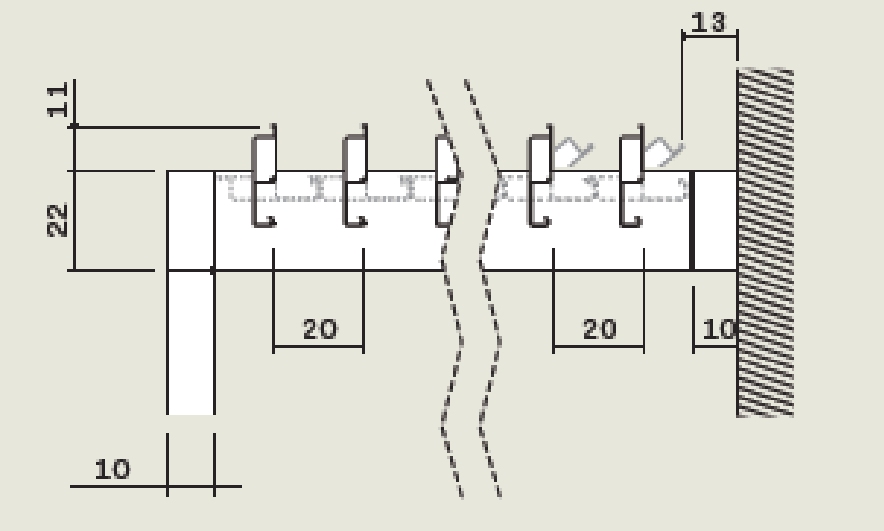
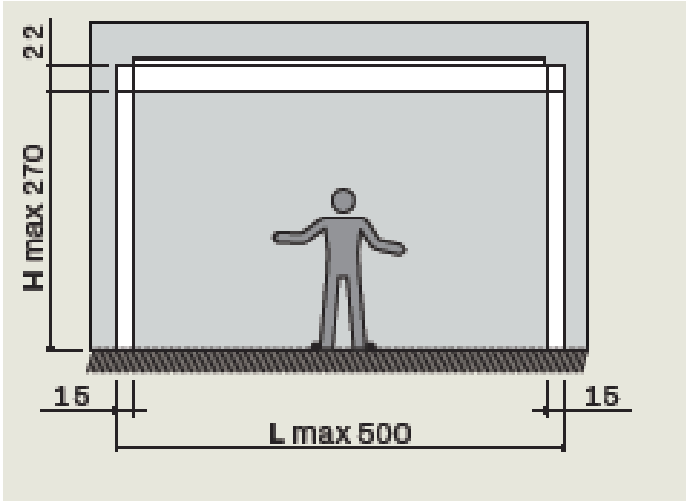


VISION 04L: Wall Mounted on width side con't.

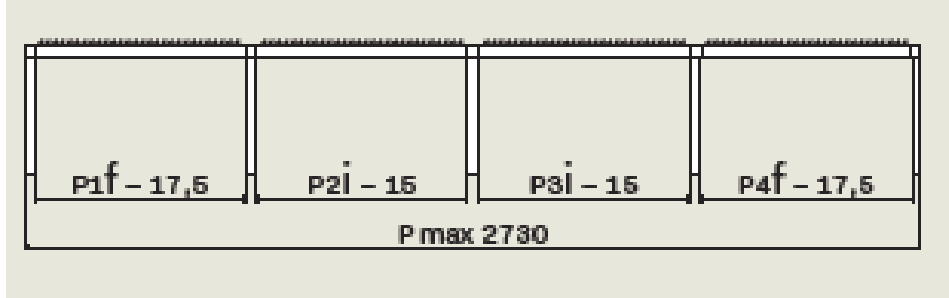
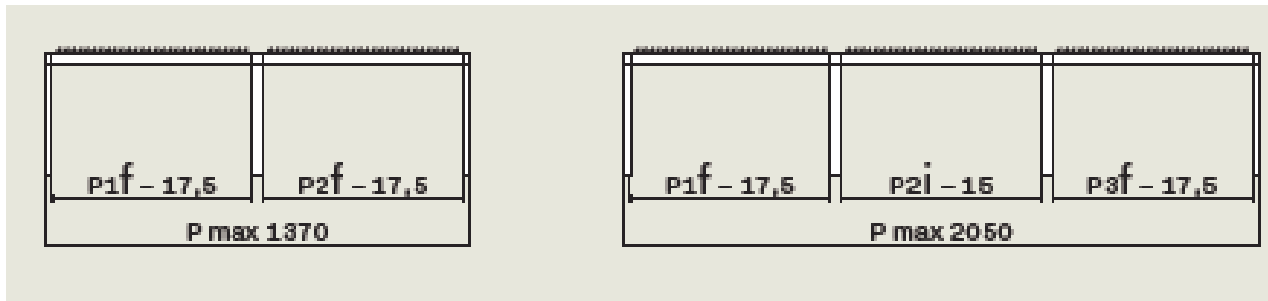
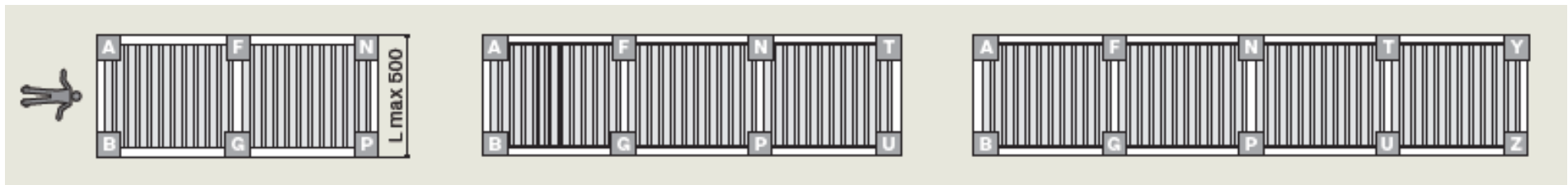
SIDE VIEW



FRONT VIEW



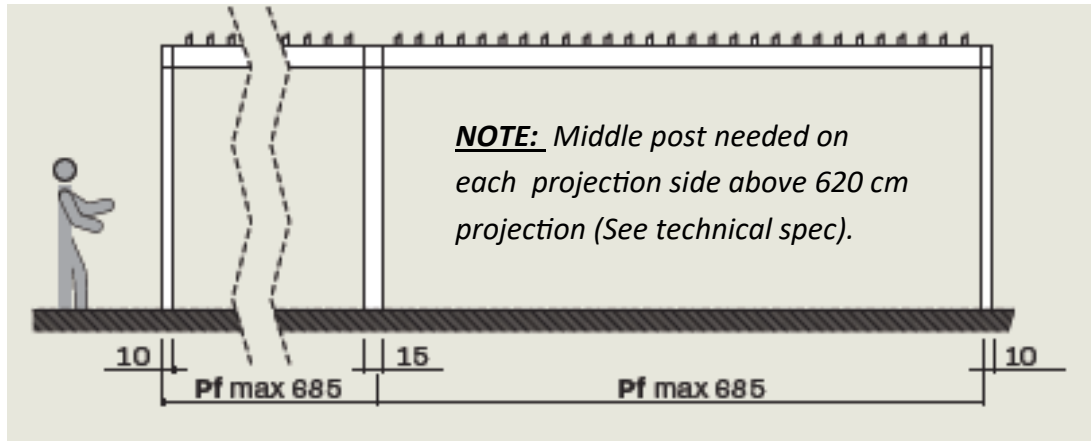
VISION 01P: Free Standing Coupled on width side.



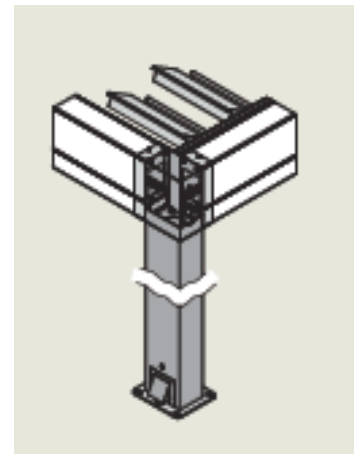
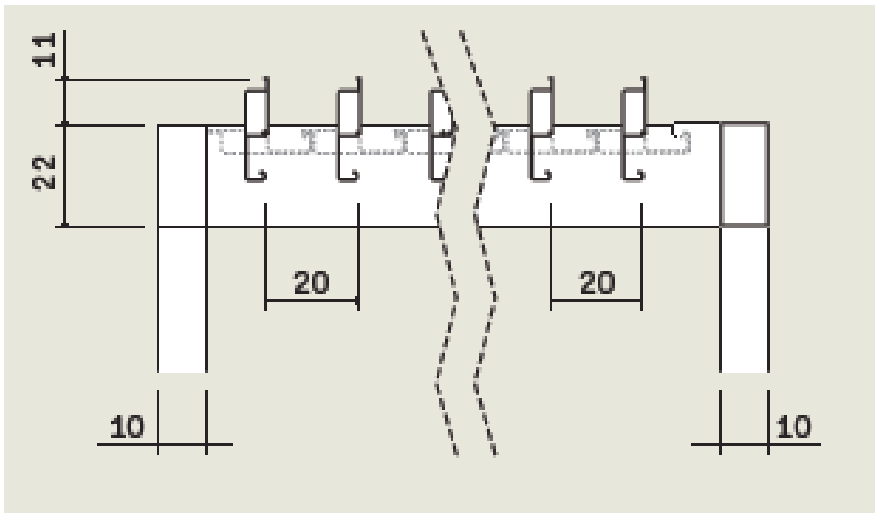
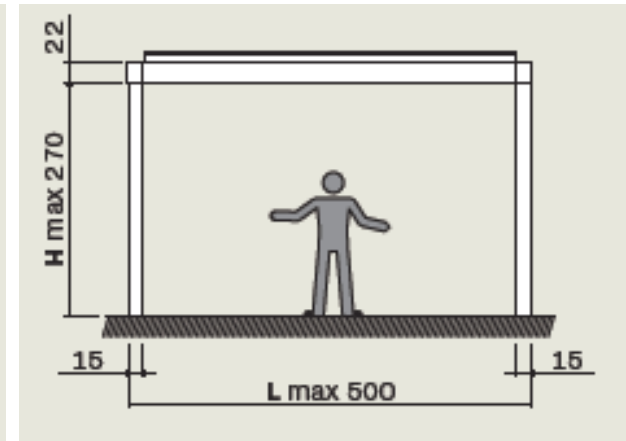
Note: Raso screens not available with VISION model.

VISION 01P: Free Standing Coupled on width side con't.

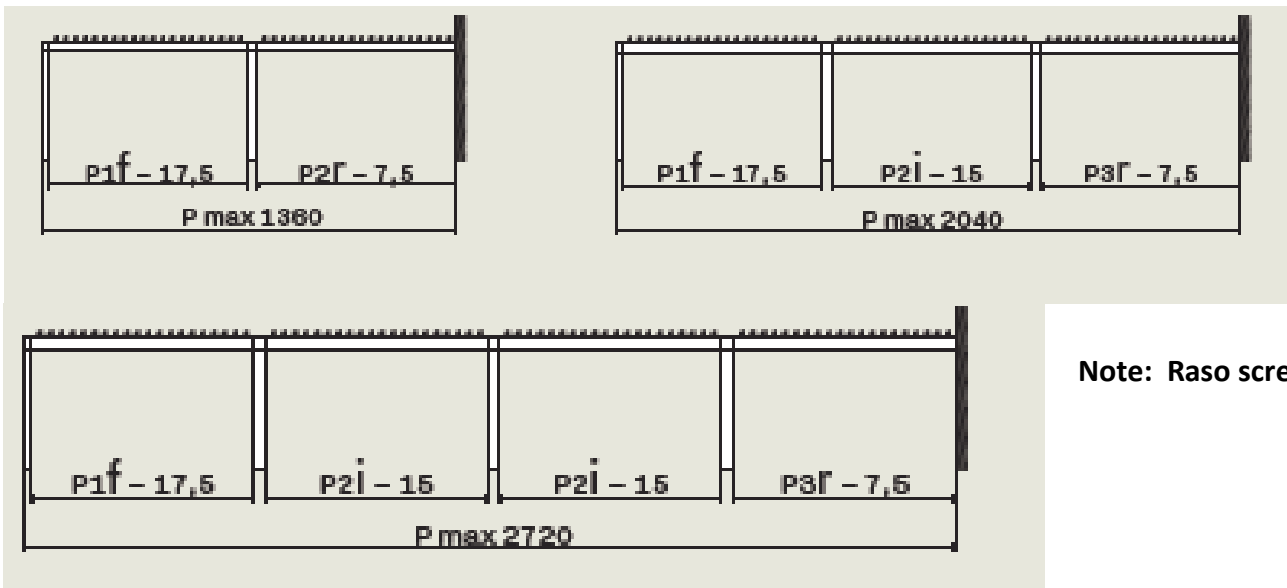
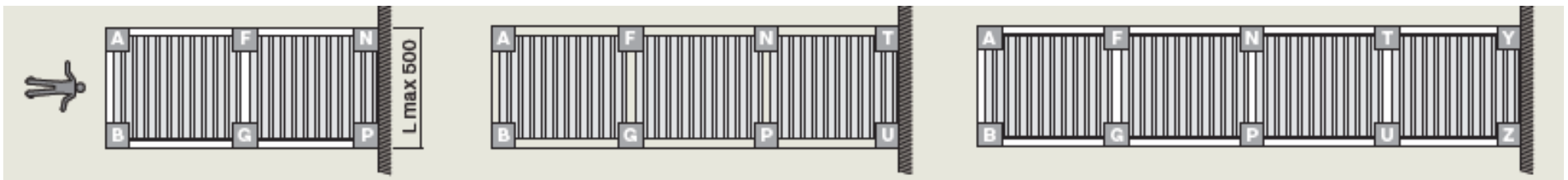
SIDE VIEW



FRONT VIEW



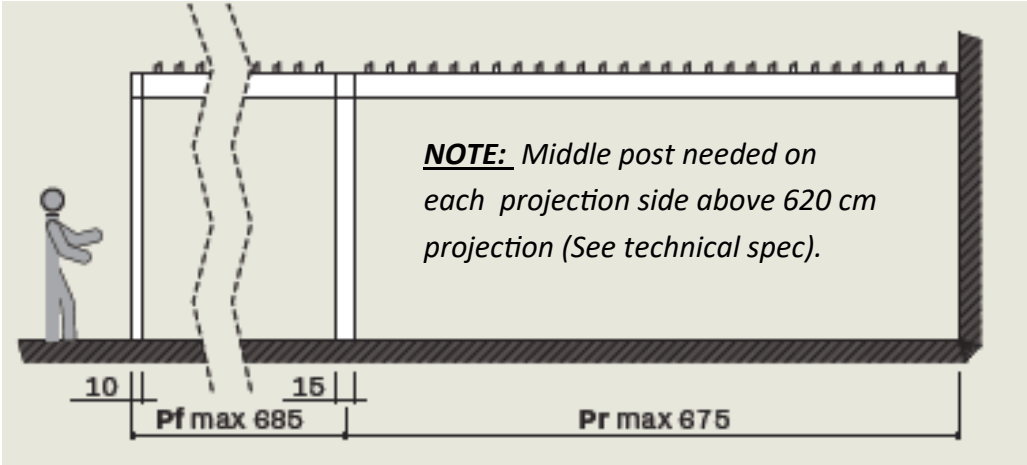
VISION 02P: Wall Mounted Coupled on width side.



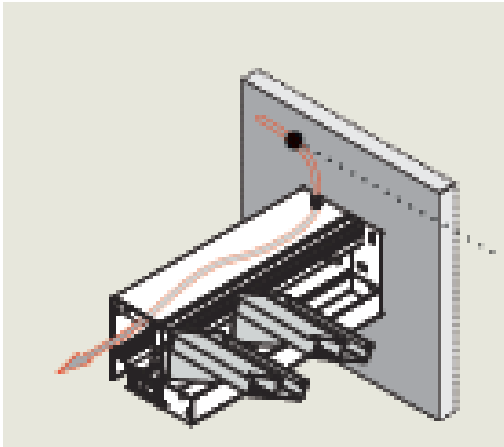
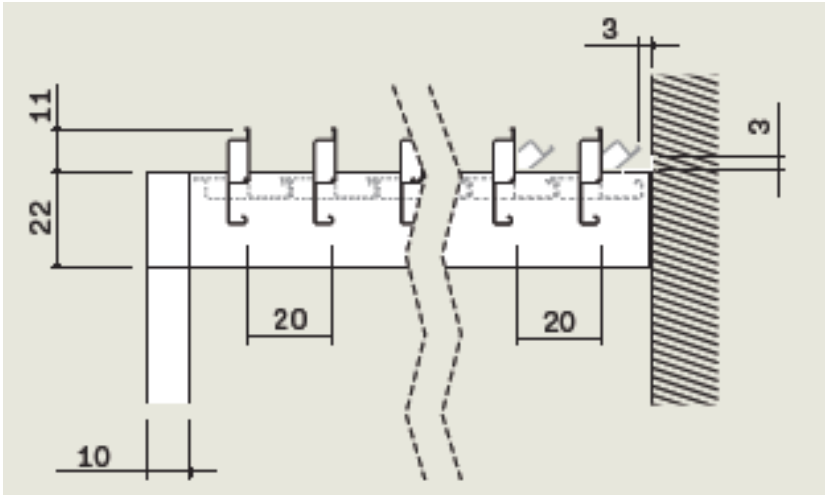
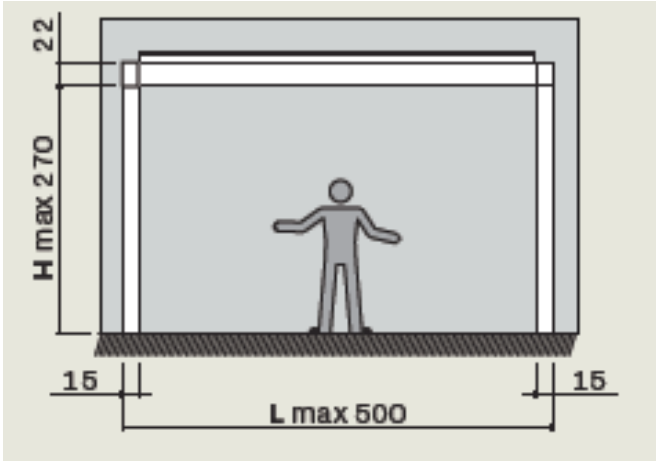
Note: Raso screens not available with VISION model.

VISION 02P: Wall Mounted con't.

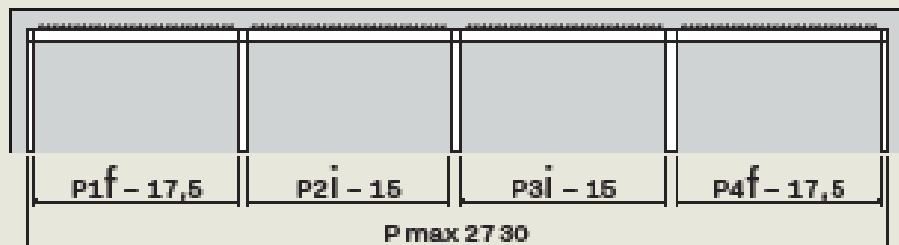
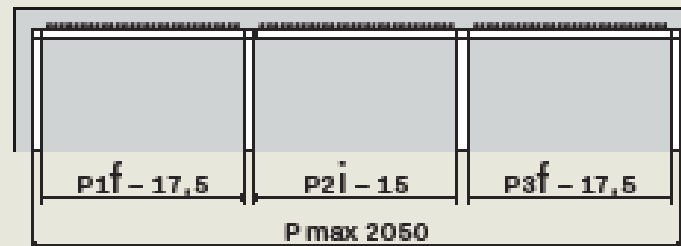
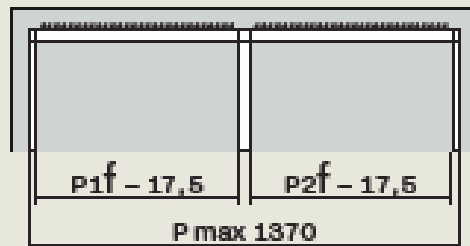
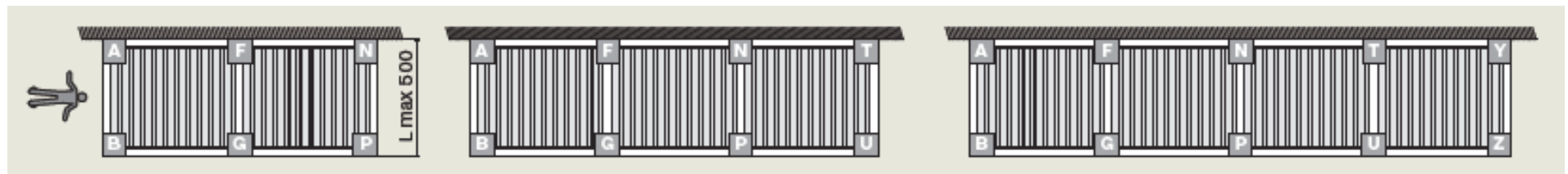
SIDE VIEW



FRONT VIEW



VISION 03P: Wall Mounted on Projection side Coupled on width side.

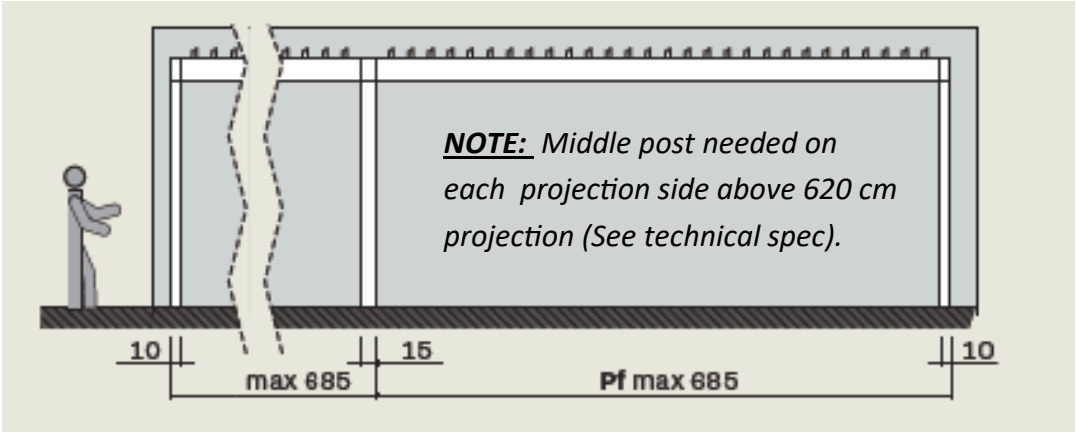


Note: With this configuration all the outside posts should be drainage posts. If an additional drainage point can be added along the wall this is better.

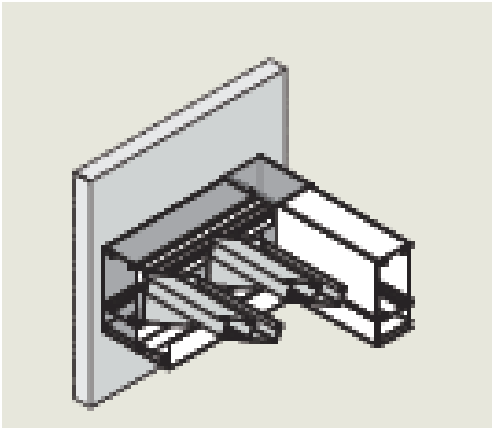
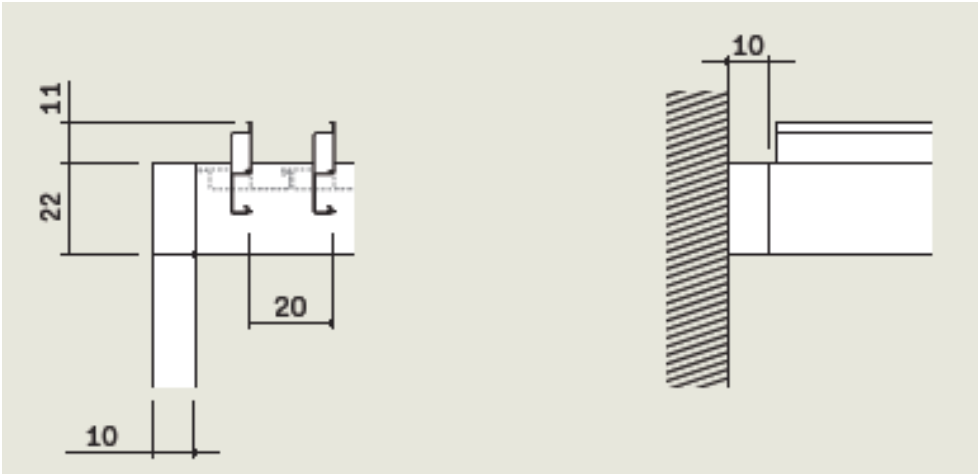
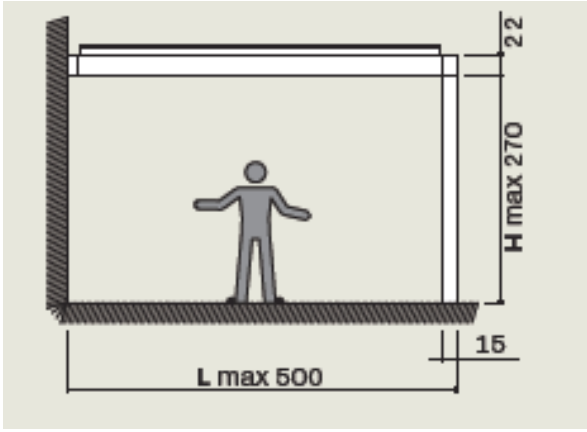
Note: Raso screens not available with VISION model.

VISION 03P: Wall Mounted on Projection side con't.

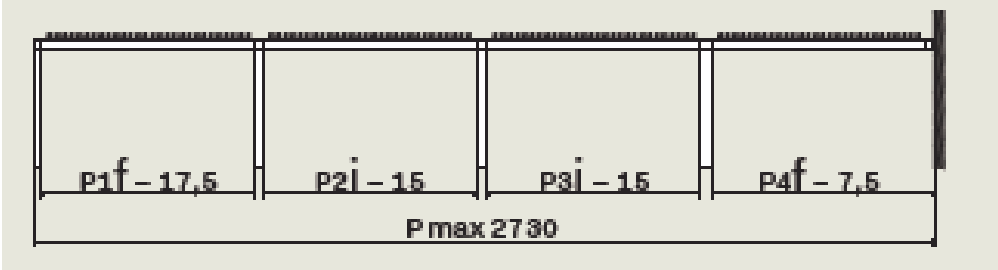
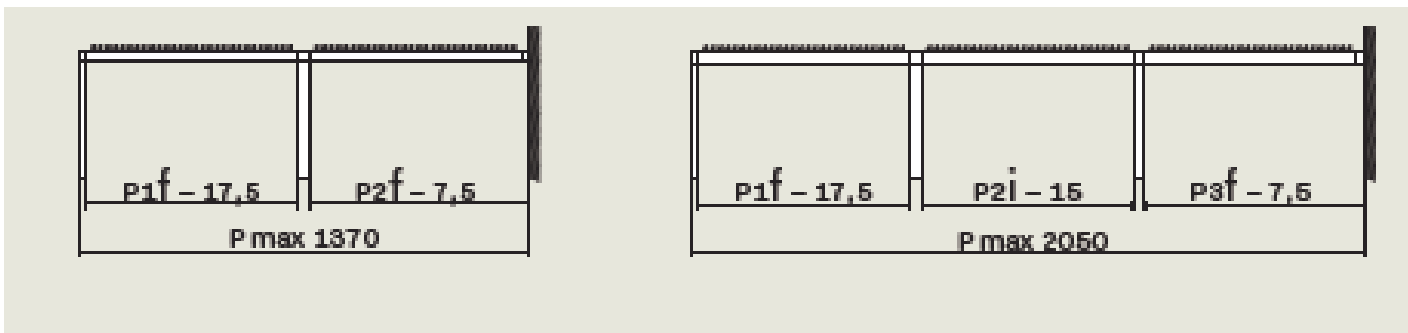
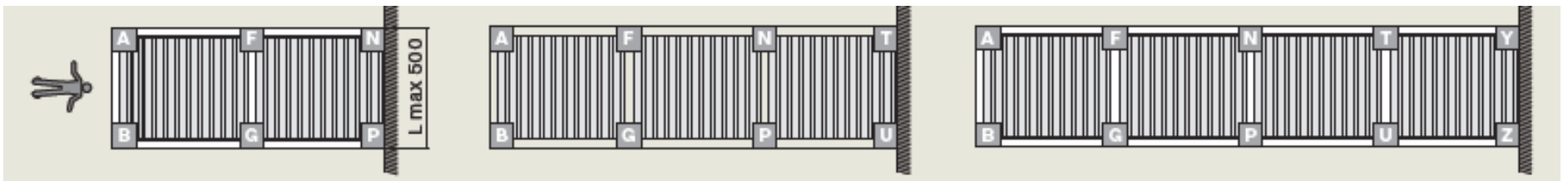
SIDE VIEW



FRONT VIEW



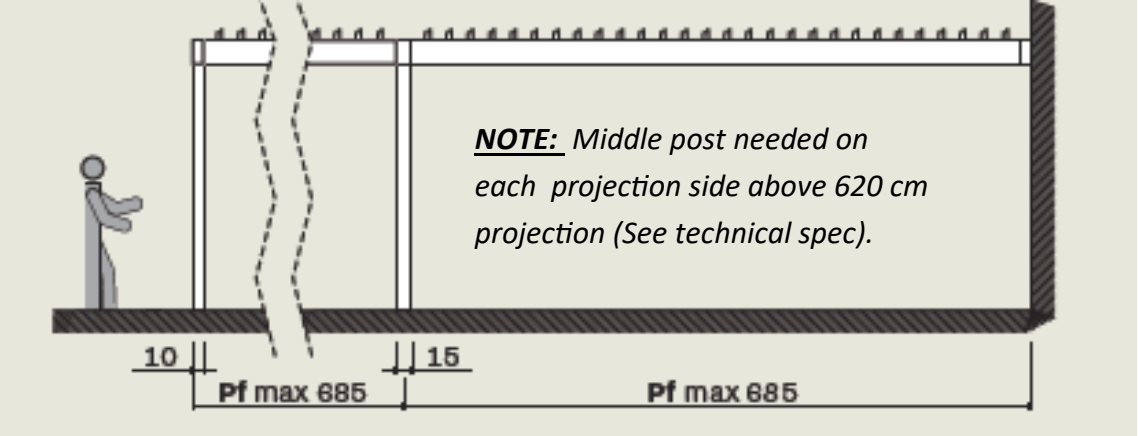
VISION 04P: Wall Mounted on Width side / Coupled on width side with profile.



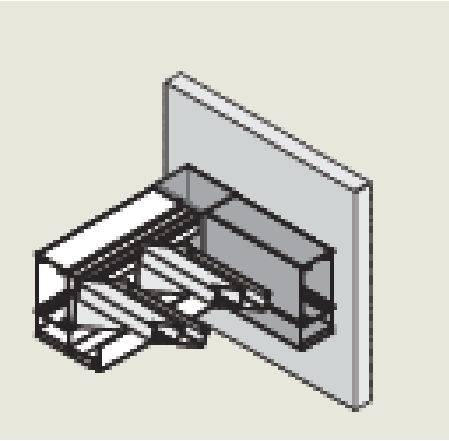
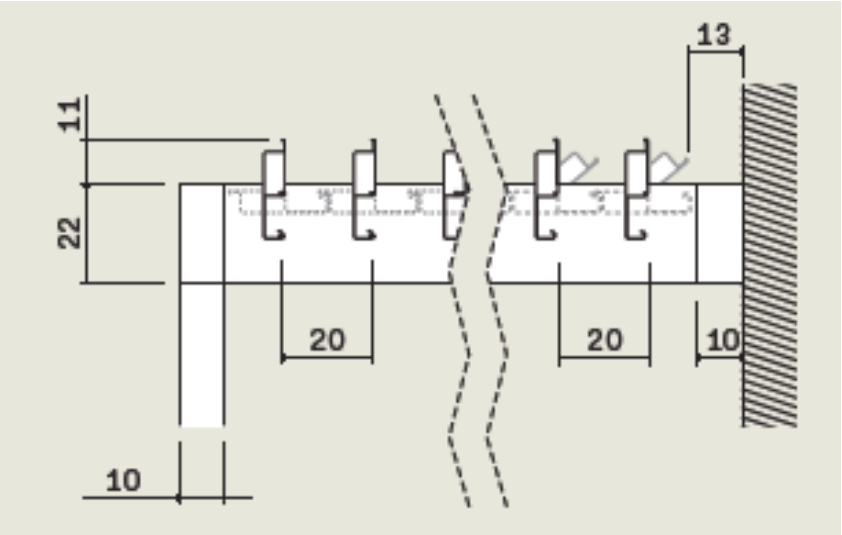
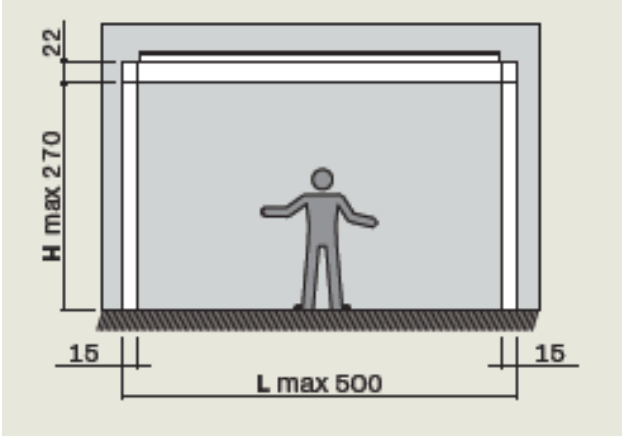
Note: Raso screens not available with VISION model.

VISION 04P: Wall Mounted on Width side con't.

SIDE VIEW

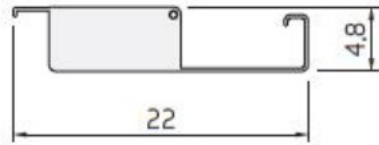


FRONT VIEW

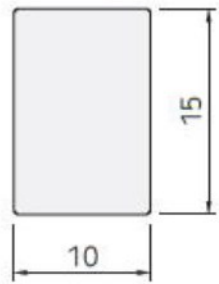


VISION technical details and dimensions.

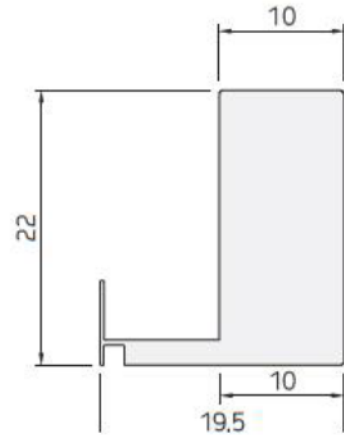
Blade profile



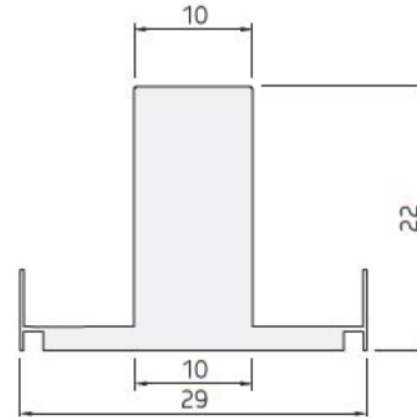
Vision post profile



Vision supporting profile

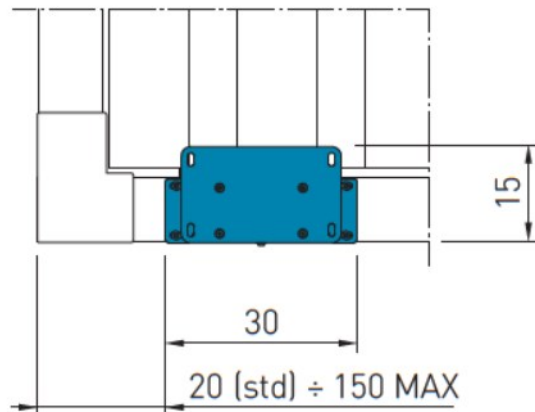
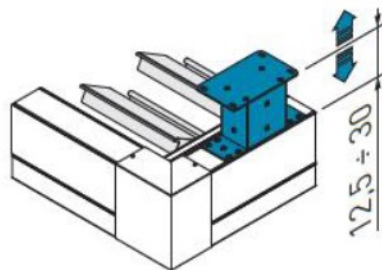


Intermediate supporting profile



Standard posts height is 90" (230 cm).
 Above 230 cm is an upcharge
 Maximum available Vision post height is 106" (270 cm).

Ceiling mounting support

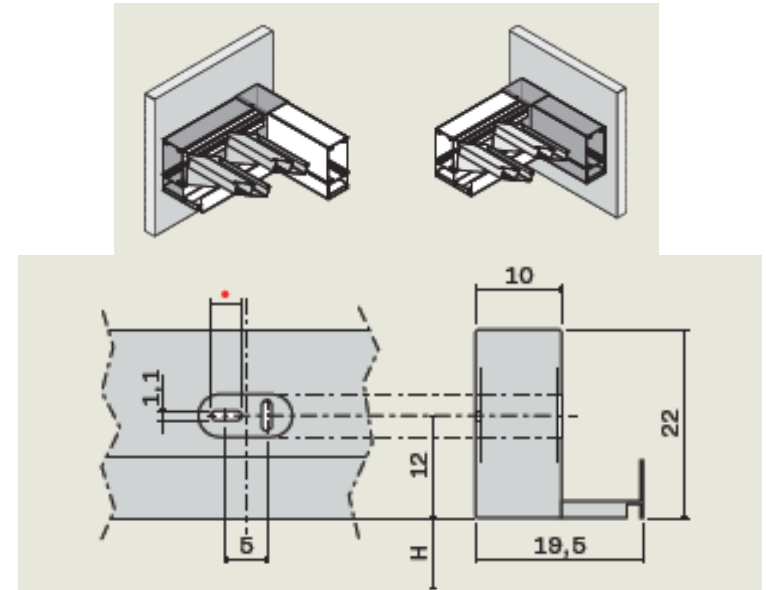
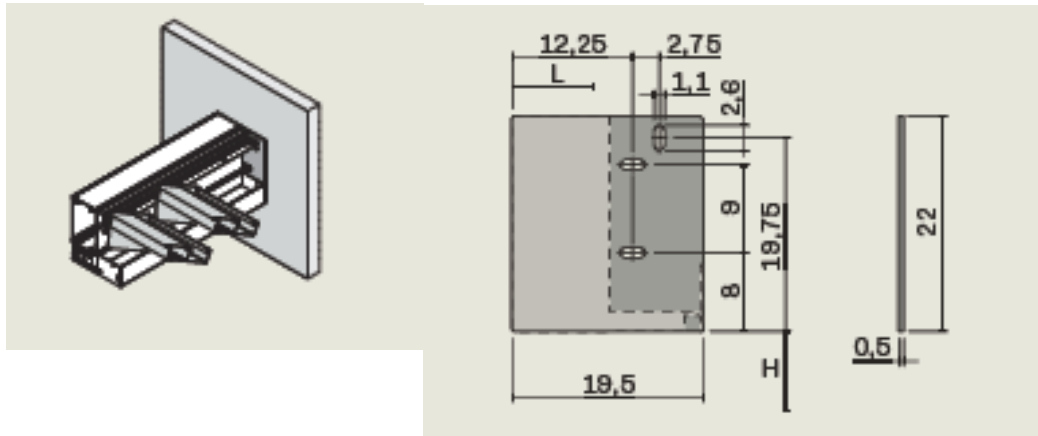


Ceiling mounts,
 may be ordered to size
 min 12.5 cm - max 30 cm

The optional corner supports can be installed around the perimeter, and minimum 20 cm from each corner up to maximum 150 cm from each corner.

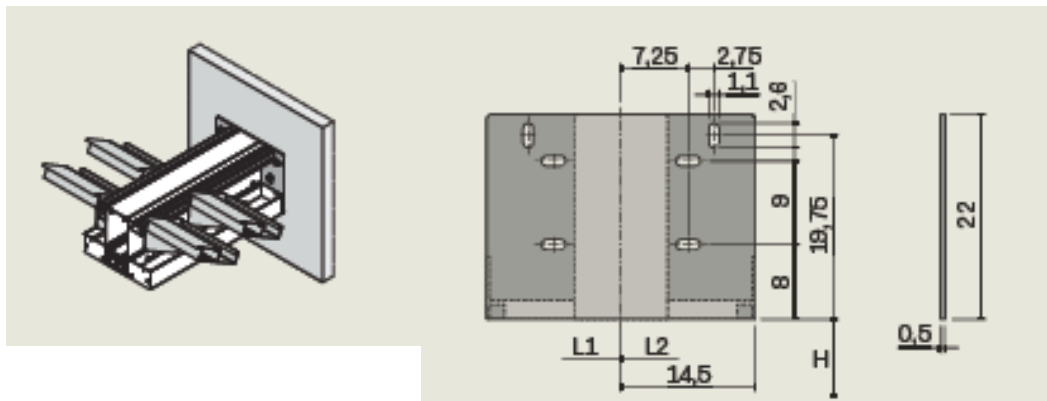
VISION technical details and dimensions con't.

Wall Mounting bracket mounting at sides



Wall Mounting through the Profile

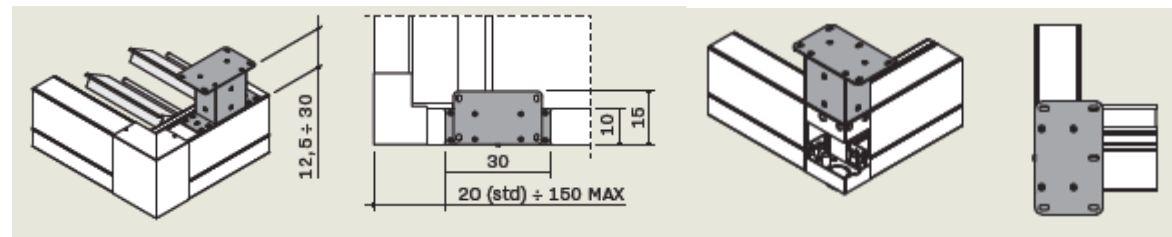
Wall Mounting brackets at Intermediary



Optional Ceiling Mount Brackets (System height from 12.5 cm to 30 cm)

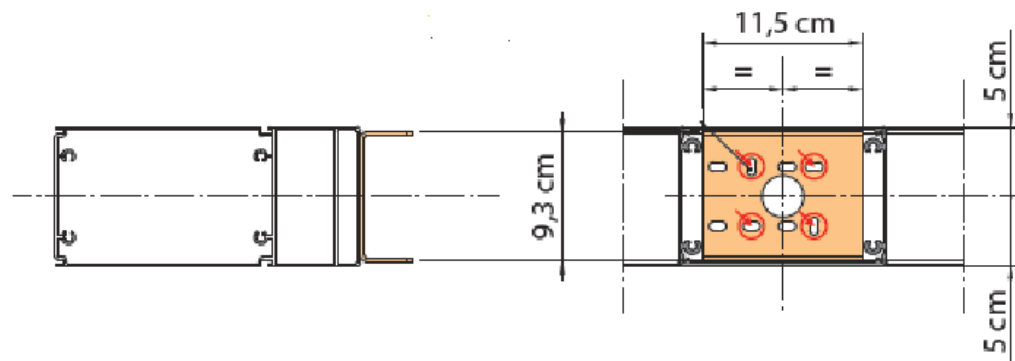
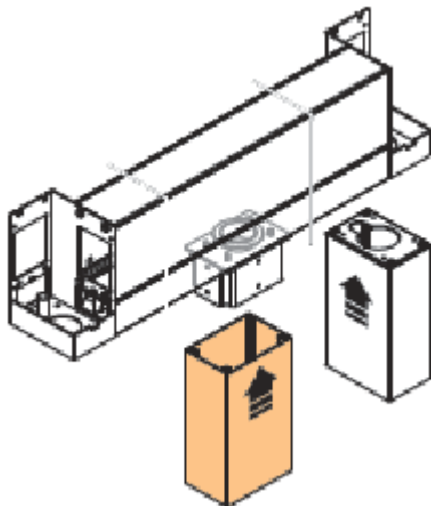
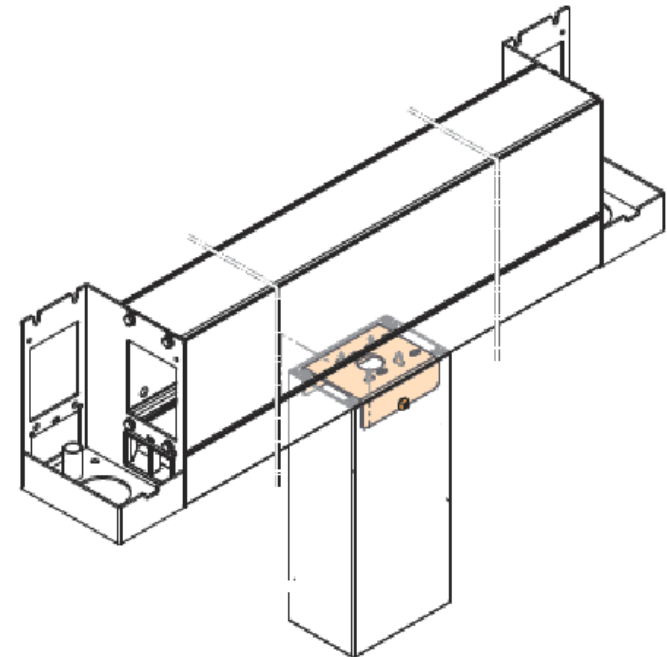
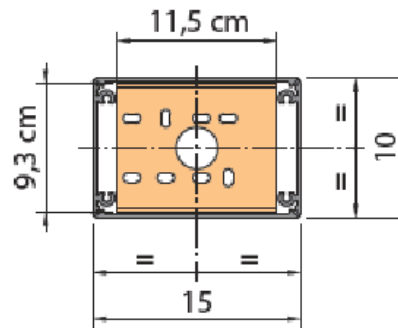
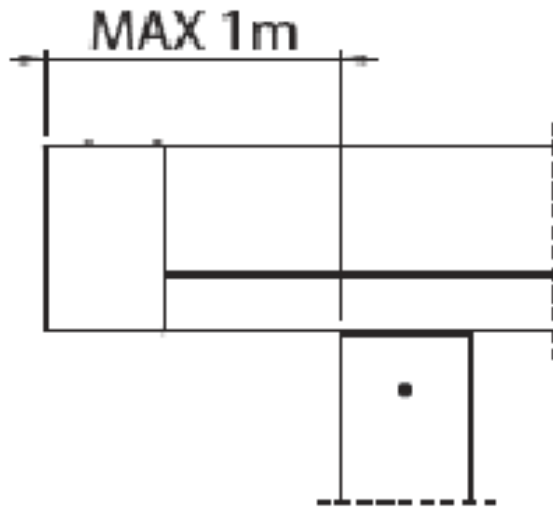
Type B at corner

Type A uneven corner

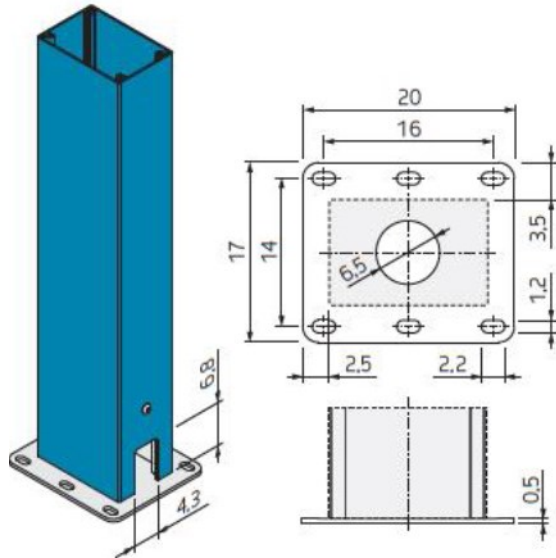


VISION Offset Posts at front.

It possible to offset the front Vision post by 1 meter or 39 inches from the front. Please inquire on this option to see if it is possible with your configuration (Not available with Opera).

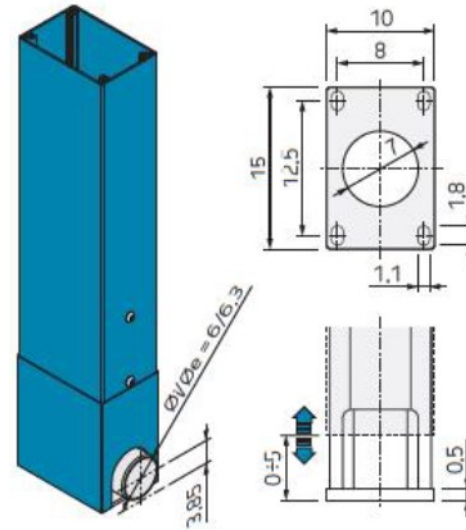


VISION technical details and dimensions continued.



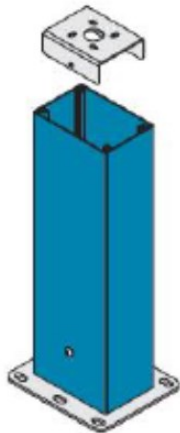
STANDARD FOOT PLATE

Standard post feet. Standard height is 90" (230 cm). Above 230 cm is an upcharge. Maximum available Opera post height is 106" (270 cm).



TELESCOPING FOOT PLATE

Optional telescoping feet up to 5 cm (2"). These are ideal on uneven surfaces and should be ordered if RASO screens are configured with the unit.

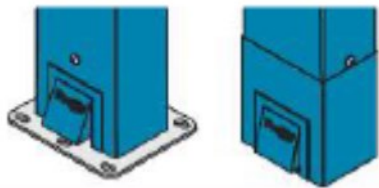
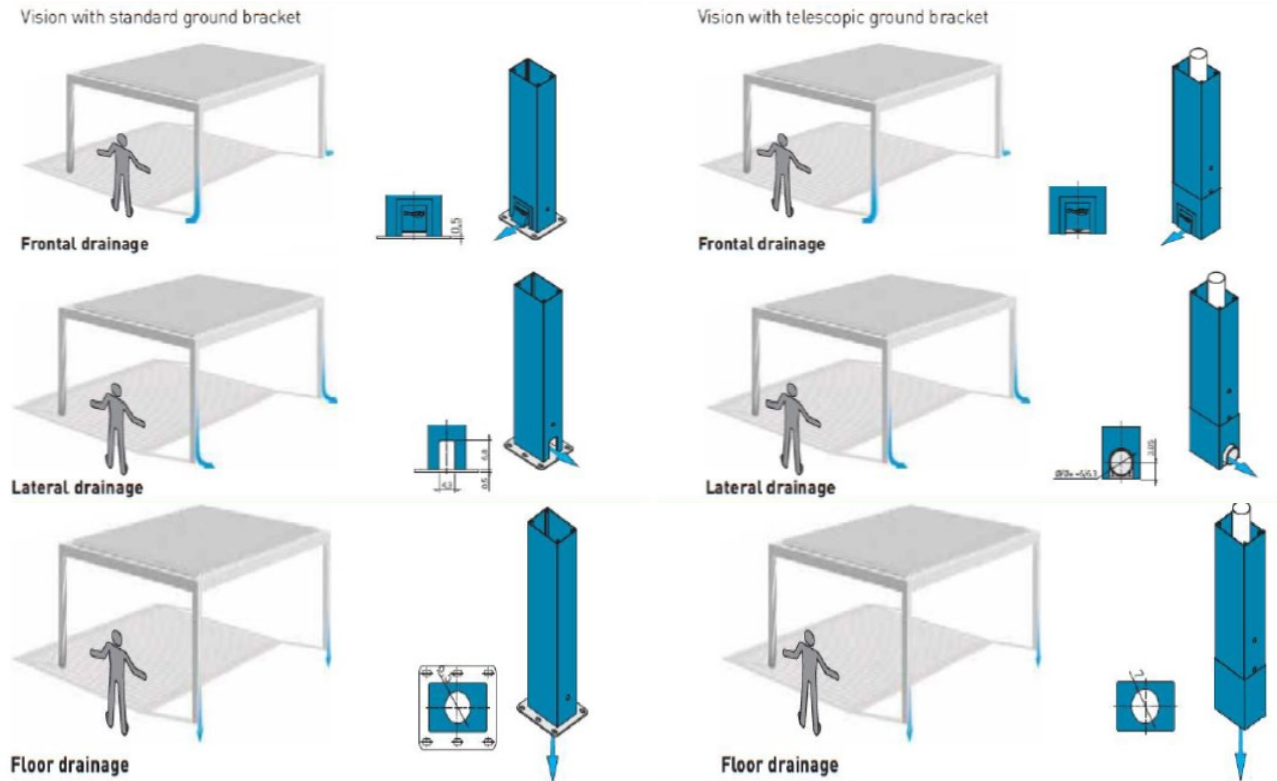


Additional posts with standard feet.

Vision post location diagram



VISION water drainage details.



Scupper water discharge / flap is supplied in plastic can not be painted.
Note: You must make bottom of the post even with the decking or patio surface pavers (Do not add pavers around perimeter as they will block the discharge out the sides).

NOTE: *The VISION louvers are sloped slightly to one side so ideally more drainage points should be on the side the louvers are sloping towards in each module. Four drainage points is best per module, two drainage points per module is minimum, and three per two modules. Typically the drainage points are away from the wall on either side. If an additional drainage point can be added along the wall this is better. If multiple modules are joined, it is possible to eliminate some interior posts as drainage posts, but it can in severe weather affect the ability to drain well (More is better).*

Sunair provides specifications for all our products including the Fabric Pergola roof awnings and Louvered systems. For specifications please go to www.sunairawnings.com and click on the “architects “ section.

Once you register you will be able to download the model “specifications” needed. You will also find architectural and engineering drawings in this section .



Specs are also available here



SECTION SPECIFICATIONS 107313

Retractable Fabric Roof Pergola Awnings
Patio Covers and Pergola Awnings Section 107313 (Old 10530)



SUNAIR AWNINGS & SOLAR SCREENS
P.O. Box 1068 7785 Rt. 175,
Jessup, MD 20794

JESSUP, MD 800 – 548 – 0408
PHOENIX, AZ 877 – 272 - 3920

Specifications for Fabric Roof Pergola Awnings by SUNAIR®:

PART 1 - GENERAL

1.1 RELATED SECTIONS:

- A. 107113 Exterior Sun Control Devices
- B. 107300 Protective Covers
- C. 133133 Framed Fabric Structures
- D. 107316 Canopies
- E. 133100 Fabric Structures
- F. 133400 Retractable Engineered Structures

1.2 RELATED DOCUMENTS

- A. Drawings and general provisions of the contract
- B. Fabricated engineered Structure / aluminum frame
- C. Motorized retractable covering system / motors and controls
- D. Fabric
- E. Accessories

Here is what Sunair can provide you to get your project started

- “DWG” Drawings and “specifications” for you to specify our Pergola awnings into your project.
- Engineer available to engage with you to verify and or design the system per local codes.
- Provide fabric and frame color sampling.
- Provide a local dealer for sales, installation and service.
- Assistance with your shop drawing and engineering drawings .

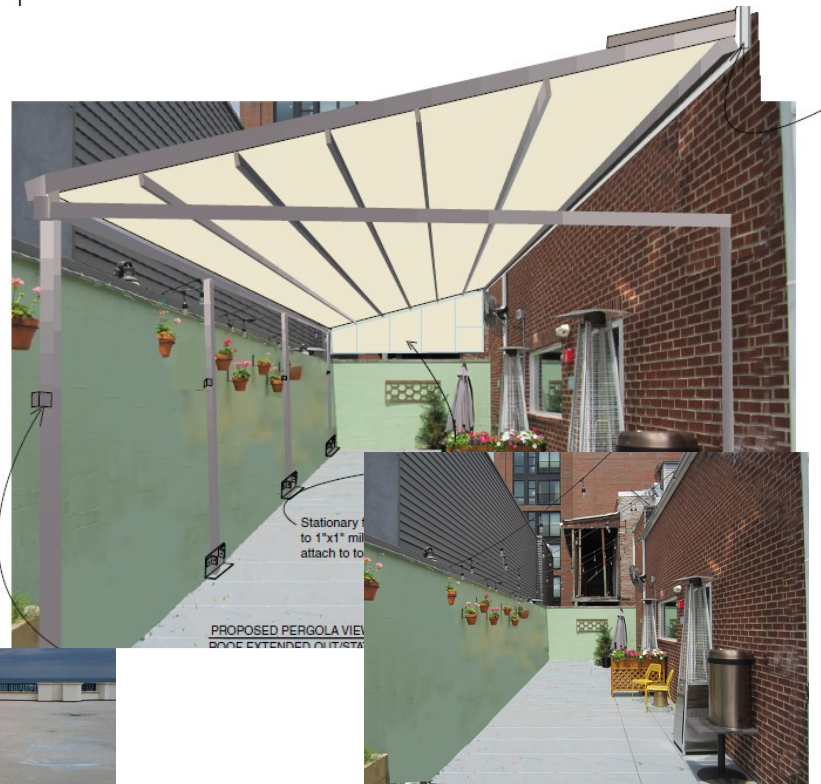
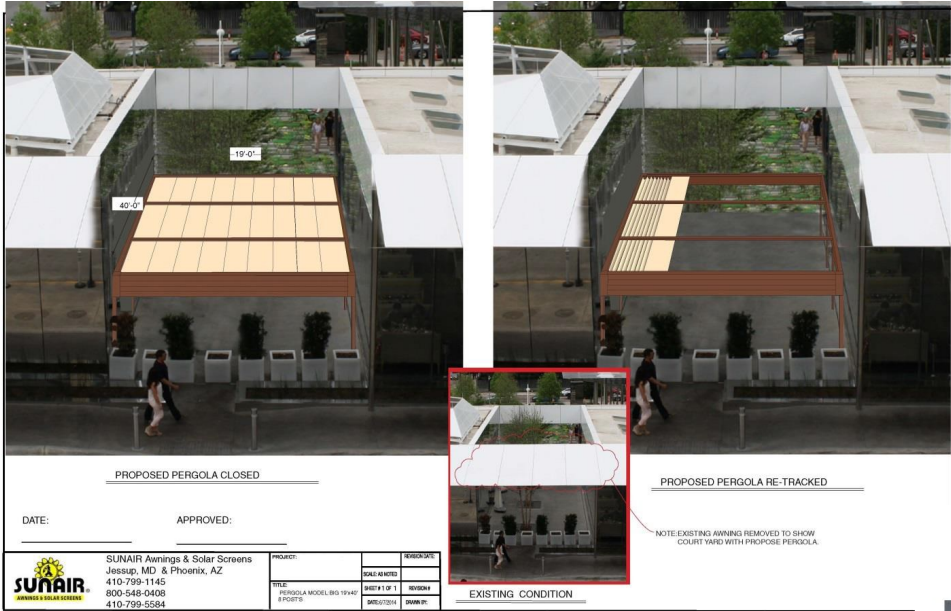
Please email us at info@sunairawnings.com or go to www.sunairawnings.com for further information. Either click on Pergola Awnings tab, or go to “Architects” section at top of the home page and register. If you can not locate what you need, please contact us.

ENGINEERING OF YOUR PROJECT:

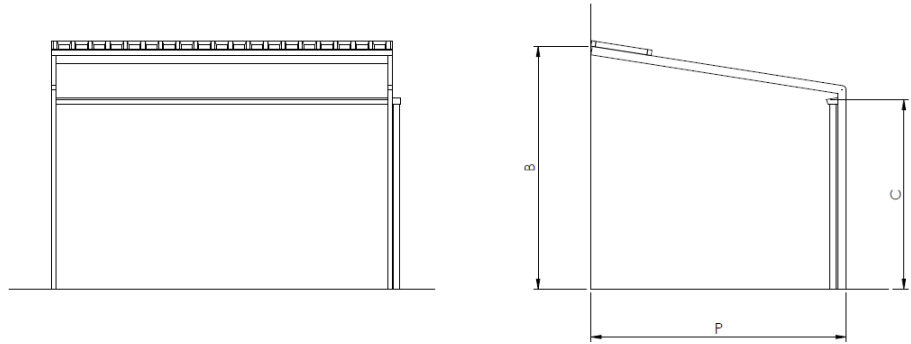
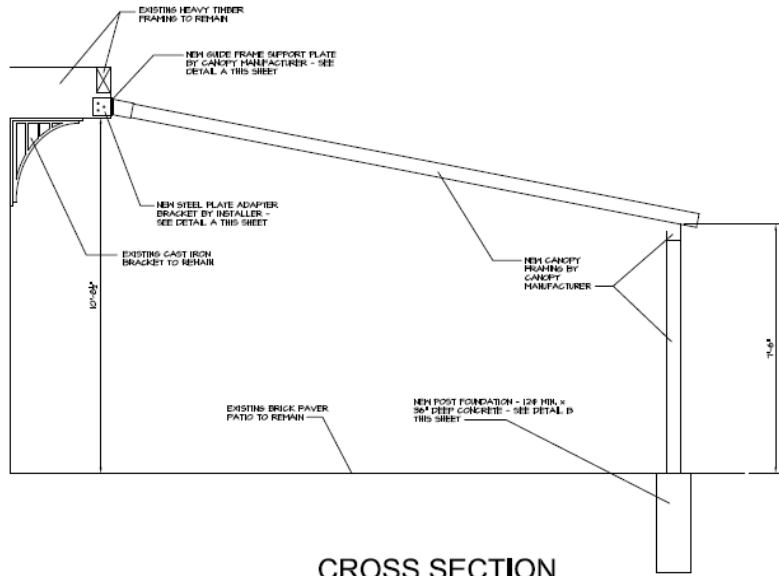
Part of the process in engineering the Pergola Awning project and prior to determining final project cost, you will need to evaluate where the Pergola awning is being installed. In all commercial projects and most residential projects a permit is required. In most cases complete site specific engineering of the system is required for permitting and often these engineering drawings will need to be signed by an engineer. If the Pergola is being installed on a multi-story structure, near the ocean, or in an areas of the country or islands subject to heavy winds or heavy storm events you will need to take extra caution in designing the system. Sunair and Pratic has basic engineering calculations available for your use in determining the best awning configuration for your project to see if it meets local conditions and local codes. These calculations are also accompanied by published wind files. If these wind files that Pratic publishes does not meet code or your wind resistance needs, Pratic engineering can review the sizes of the units, and possibly reconfigure the modules in addition to offering re-enforcements options to the structure and installation. If additional engineering calculations have to be made, there will be a fee for that.

Feel free to contact our sales department and we will be happy to assist you at 800-548-0408 or send an email to info@sunairawnings.com

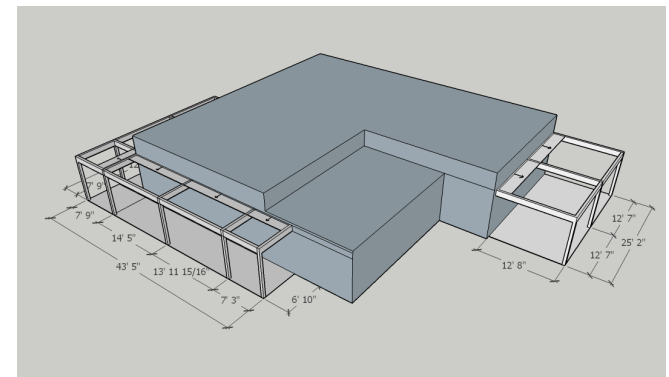
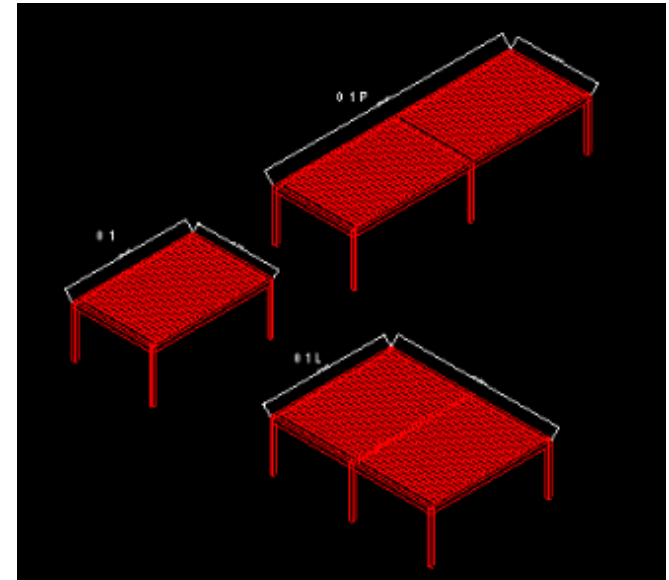
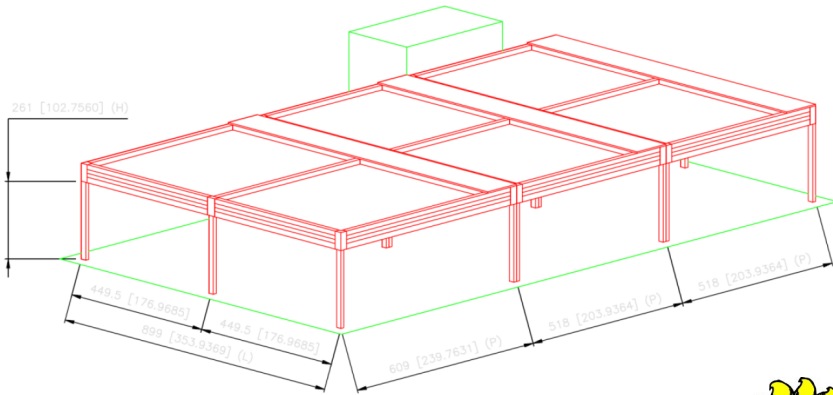
RENDERINGS OF YOUR PROJECT: Available for a fee



TECHNICAL DRAWINGS:



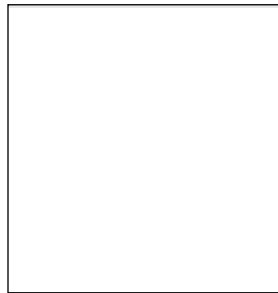
Sunair will provide DWG drawings.



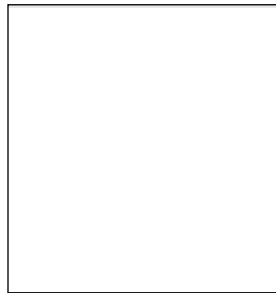
VISION:

STANDARD FRAME COLORS

STANDARD FRAME COLORS FOR ABOVE PERGOLA MODELS:



WHITE Gloss
Ral 9010



WHITE SAND
Coarse Ral 9016



IVORY SAND
Ral 1013 Coarse



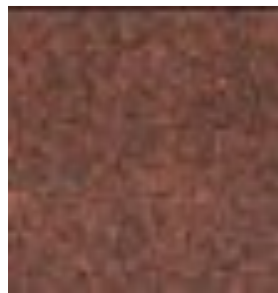
IVORY / SEMI
Gloss Ral 1013



GREY SAND
Gloss Ral 9006



BRIGHT ALUM
Matt Ral 9006



CORTEN
Coarse



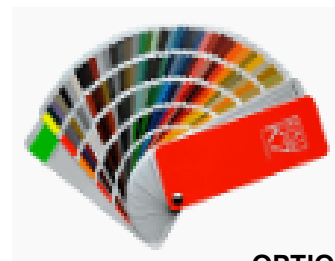
IRON GREY
Coarse

**STANDARD COLORS
THESE MODELS ONLY**



NOTE:

**ACTUAL FRAME COLOR MAY VARY
FROM DIGITALIMAGES**



OPTIONAL

**FULL RAL COLOR RANGE /
EXTRA COST**

www.ralcolor.com

VISION:

**OPTIONAL 30 TIGER DRYLAC FRAME COLORS FOR ABOVE
PERGOLA MODELS:**

Extra cost and possible
extra lead time.

Please conform with
Sunair office.



30 TIGER COATING COLOURS CLASS 2



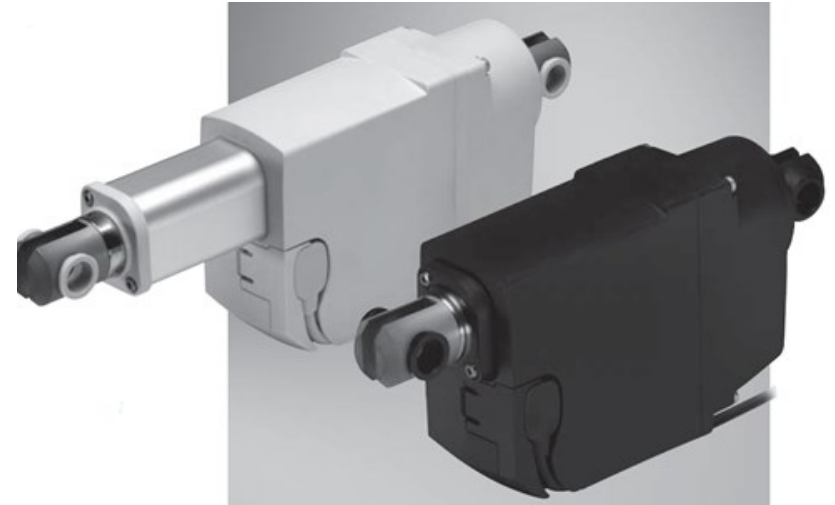
NOTE:

**ACTUAL FRAME COLOR
MAY VARY FROM DIGI-
TALIMAGES**

VISION MOTOR



24 VOLT BLADE MOTOR / Technical information



The Linak Actuator Blade motors are 24 volt motors. They operate the Louvered metal blades only for the top roof to rotate the blades back and forth from 0 - 140°. A 150 watt transformer is included with the Opera or Vision unit and is pre-wired inside the Post of the Opera unit. The transformer is pre-wired in the top gutter system of the Vision model. The input for the 150 watt transformers is 230v or 110v and with either 50Hz or 60 Hz. Each "Module" will have its own 24 volt motor. If multiple Opera or Vision sections are joined together, each unit or module will have its own 24 volt Linak motor. The Louvered Pergola remote NOON remote transmitter is available in multi-channel to accommodate multiple Linak motors as well as also controlling the LED strips and lighting. Any optional "Raso" roll down screens configured with your Opera unit will use a 110 volt Somfy Altus motor and will be wired separately from the Linak 24 volt motor. The Somfy motor does not utilize a transformer and has its own Telis Somfy remote. The Linak "blade" motors will have its own remote controller and any roll down screens will have its own remote controller. Up to two (2) Linak Blade motors can be wired on each 150 watt transformer. Four (4) Louvered modules will be wired with two – four transformers.



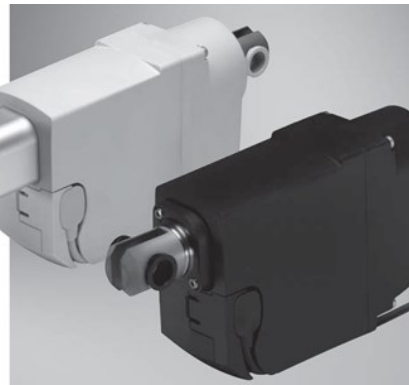
HLG-150H Transformer 150 watts

UL. UL8750 (type HL)

DC voltage 24 Volts

Rated Current 6.5 amps

Rated Power 151.2W



Actuator Motor LA23

UL. UL60601-1

DC voltage 24 Volts



Old remote

EVO Remote Transmitter

42 channel

FCC ID: P59TVEVO916S



Available in Future:

NOON ATM00027

Remote Transmitter

49 channels / 63 function

Motor sensors:

WIND & RAIN SENSORS (NON SOMFY)

The Rain Sensor is a low voltage wired sensor that connects directly to the Vision louvered system and Teleco remote. If rain is detected, the pergola will close and the remote control will be needed to open it back up. This sensor



Rain Sensor



Wind Sensor

Teleco Daisy / Smartphone and Tablet Interface



The Teleco Daisy is the control system for the Louvered Linak motors and all the Teleco LED lighting on the Bioclimatic Pergolas. This Wi-Fi interface App, is programmable to remotely control all Teleco devices using a Smartphone or Tablet.

Innovative and easy to use: It is possible to program and control all installed automations, individually or in groups, to adjust the intensity/ powering on / powering off in automatic or manual mode of the lighting, to create multiple scenarios and to call them up at any time.

- Daisy lets you interact with all automated systems from anywhere in your home, even from a distance, with Smartphone or Tablet
- It's so simple to create scenes and program the weekly timer
- Remote control via Wi-Fi through the creation of a free account in the Teleco Cloud
- Possibility of connecting multiple smartphones or tablets
- Real-time feedback: verification of the status of Teleco BlueSeries devices from smartphone or tablet
- Voice control of Teleco systems using the Google Home or Amazon assistant
- Possibility of expanding the range using Wi-Fi repeaters
- Compatible with any Android (version 4.4 and later) and iOS (version 10 and later) device. We recommend installing the latest version of the operating system
- 230 V power supply unit included

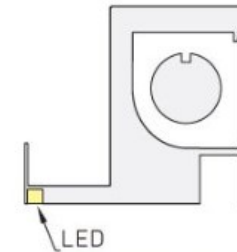


OPTIONAL PERIMETER LED LIGHTING



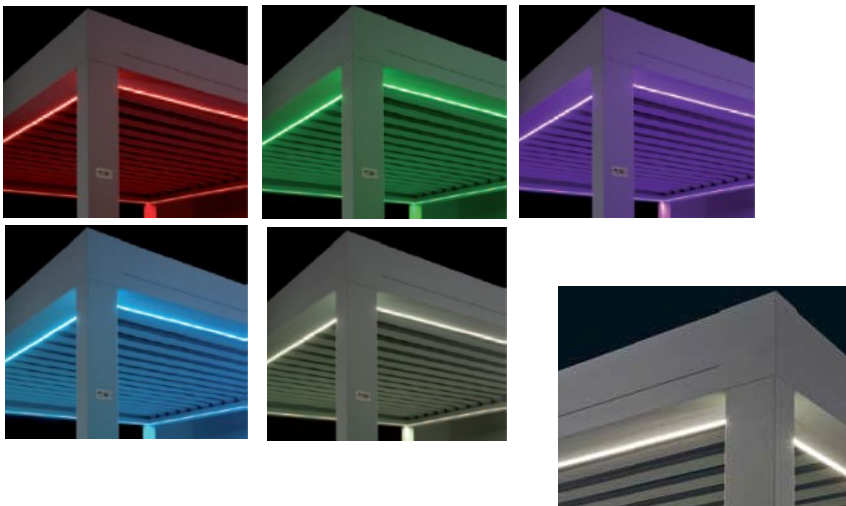
LED positioning

LED on depth side



The LED lights on the depth side are integrated into the standard gutter profile.

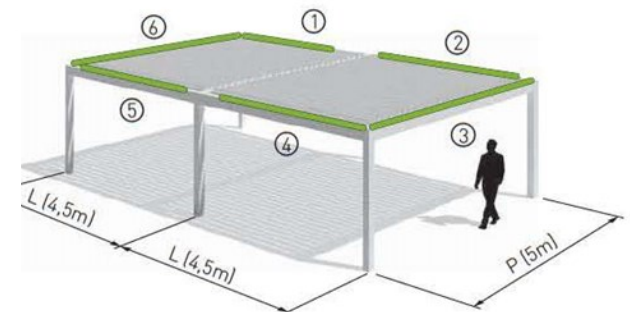
The VISION can be fitted with remote controlled perimeter LED mood lighting WHITE only or RGB strips. The LED strips are available for the perimeter of the system only and can be multi colored or white only. You can have the system automatically change the color periodically, or keep it one color. The lights are dimmable to the desired brightness. These lights are controlled with the same remote as the louvered 24 volt motor.



Examples of LED configuration

- 1 22 m LED group (strips ①+②+④+⑤), switching on and dimming in common

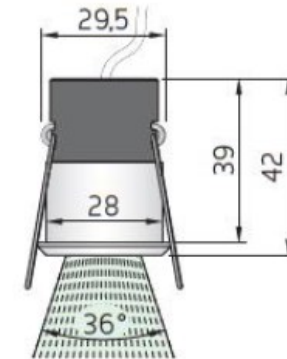
- 2 10 m LED group (strips ①+② and strips ④+⑤), independent switching on and dimming of the 2 groups
- 4 5 m LED groups (strip ①, strip ②, strip ④, strip ⑤) independent switching on and dimming of the 4 groups



OPTIONAL SPOT LIGHTING



Not available with Bera model



Detail of SPOT LIGHT

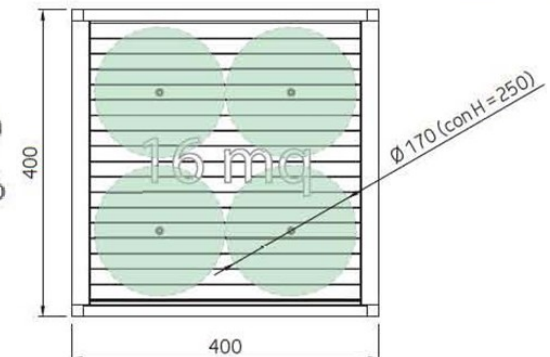
The OPERA & VISION can be fitted with white spot lights which can be added to the louvers where desired. The lights are dimmable to the desired brightness. These lights are controlled with the same remote as the louvered 24 volt motor.

Opera and Vision can include a lighting system using SPOT LIGHT dimmer lights recessed in the blades wherever you wish.

The spotlights must be ordered at the same time as the Bioclimatic structure. Full electrical hook-up, with wiring and spotlight installation will be done by Pratic.

CHARACTERISTICS

- LED 24 Vdc bulbs
- IP54 degree of protection
- 3000 K light colour
- Consumption: 4.5 W/bulb
- Light beam angle: 36°
- Light emission: 380 lm



Example of light projection for Opera structures W = 400 D = 400 H = 250 with four spotlights

NOTE: Spot lights not available with BRERA model.

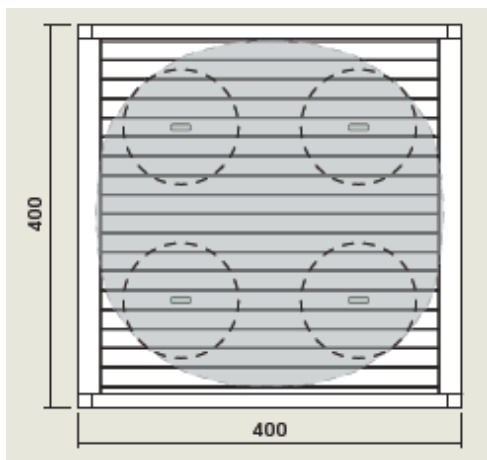
OPTIONAL QUADRA LIGHTING



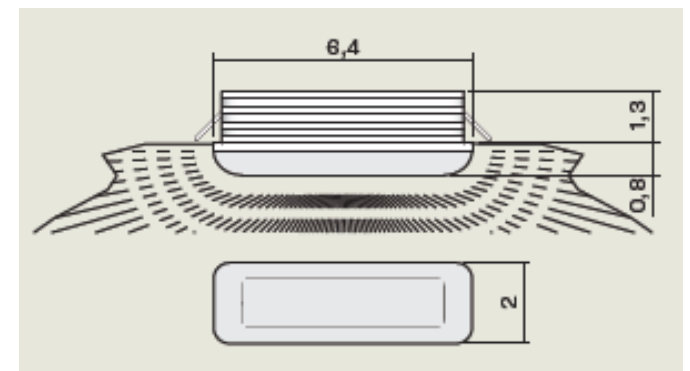
TECHNICAL SPECIFICATIONS

- Dimmerable
- Installed recessed on the blades
- Pre-assembled electrical system
- They must be ordered together with the structure
- Any after-sales requests of installation involve the invalidity of the guarantee for mechanical and electronic processing
- Minimum two Quadra Light can be installed on every blade
- Recommended distance from the edge 50 cm
- Maximum distance between Quadra Light lights 150 cm
- A rain sensor is recommended to avoid prolonged exposure to the rain with blades open

The OPERA , VISION, & BRERA can be fitted with white the Quadra Light which can be added to the actual louvered strips where desired. The lights are dimmable to the desired brightness. These lights are controlled with the same remote as the louvered 24 volt motor.



<u>POWER SUPPLY:</u>	LED 24 Vdc
<u>PROTECTION GRADE</u>	IP44
<u>LIGHT COLOR</u>	3000 K
<u>CONSUMPTION / BULB</u>	4.5 W
<u>LIGHT OUTPUT</u>	460 Lumens / m
<u>LIGHT PROJECTION</u>	WIDESPREAD



NOTE: Quadra lights not available with BRERA model.

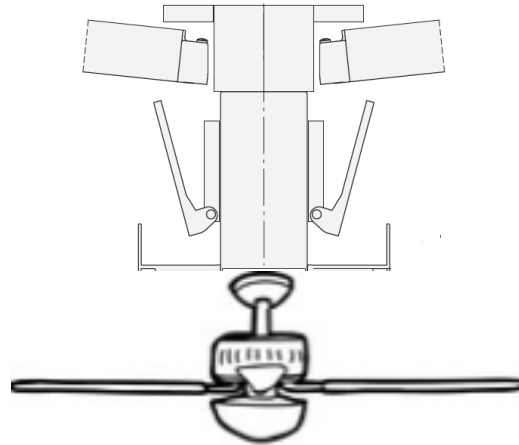
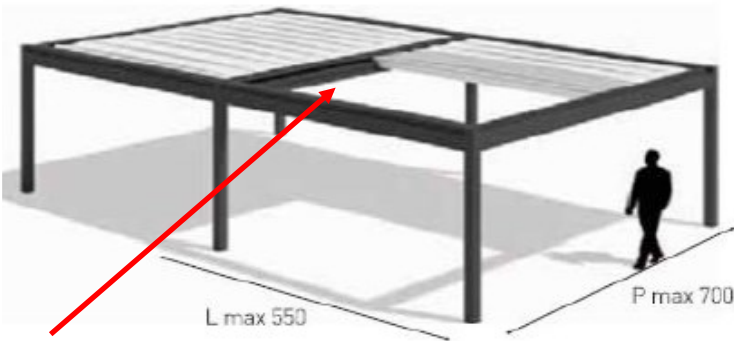
FAN: Adding a fan to following models:

NOMO, RIALTO, BRERA, VISION, and OPERA

Fan not included and by customer

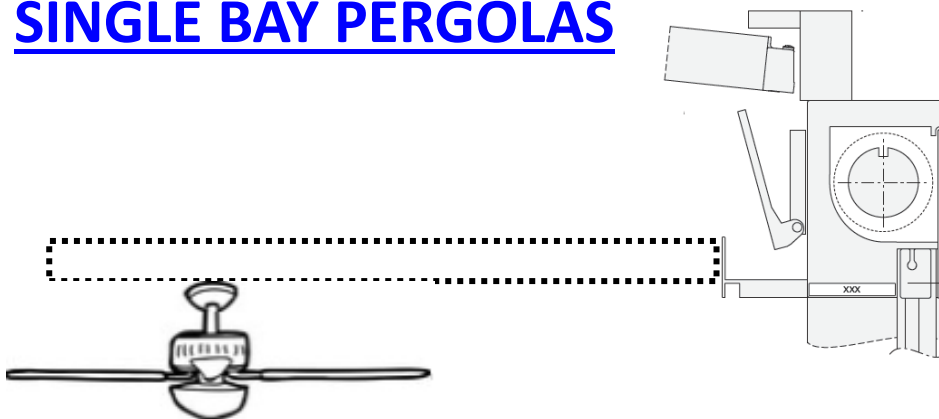


MULTI MODULE PERGOLAS



Fan Can be mounted Here in between each module

SINGLE BAY PERGOLAS



Mount a “Fan Bar” on the width side between gutters

Note: Max unit width 18 ft per module. Fan bar must run along the width of each module and separately wired.

Solaira[®]

COSY
SERIES



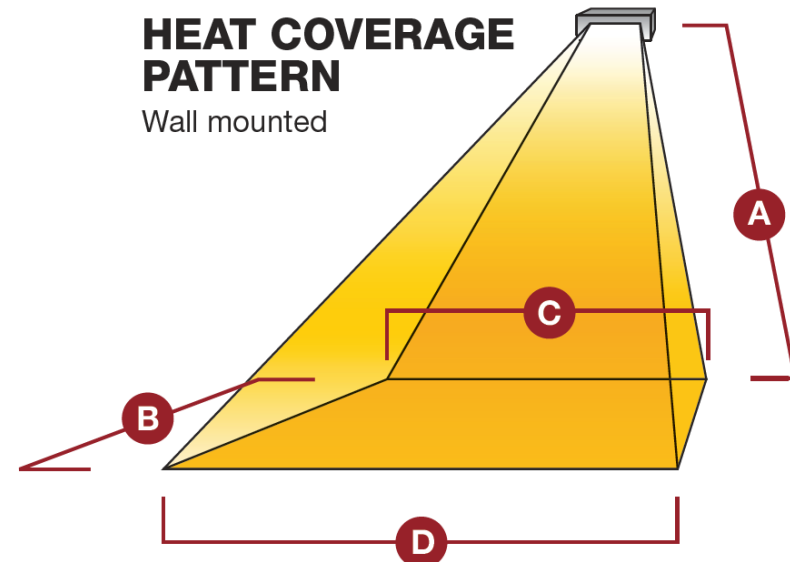
HEATERS COSY SERIES 1500 AW Sleek, Low clearance, infrared

Sunair[®] awnings do not specify any particular brand of heaters but we do offer the Solaira brand as a convenience and as “supply” only. As supply only all warranty is per the Manufacturer (Solaira). Please see separate manufacturers installation, use, servicing and warranty documents. Mounting and wiring the heaters on the Pergola units is not included and will be the responsibility of the dealer / customer in the field during installation. Check your local codes for correct wiring instructions. All heaters should be installed by a certified electrician to local state electrical codes. See separate manufacturer’s data sheet and wiring instructions. If you purchase your own heaters, make sure that the heater brand and model you chose can be installed within the pergola unit to code. Aluminum Brackets to install the heaters on the awning are sold separately. Note: Sunair[®] awnings can only make suggestions but will not be responsible or warranty the performance and the effectiveness of the heaters. Check with the manufacturer of the heaters for the recommended number of heaters for your application and best installation position of the heater for best results.

Con’t next page

Solaria Heaters con't

Note: Specifier / Customer must contact Solaira directly for recommended heater number and location.



HEAT COVERAGE EXAMPLES

Model	A	B	C	D	Heat Zone*	Heat Density*
SCOSYAW15120 B/W	6'7"	8'	8'	10'	70 SQ FT	18 WATTS/SQ. FT
SCOSYAW15240 B/W	6'7"	8'	8'	10'	70 SQ FT	18 WATTS/SQ. FT

* Heat Zone and actual heat density will vary based on mounting height and angle of heater (Overhead mounted heat zones will be different then this guide). Please use this as a guideline only and contact Solaira for a more detailed specifier guide.

* Heat Zone and actual heat density will vary based on mounting height and angle of heater (Overhead mounted zones will be different than this guide). Please use this as a guideline only and contact Solaira for a more detailed specifier guide.

Con't next page

Solaria COZY Series Heaters con't

240 VOLT: 1.5Kw 208 - 240 V

Heater Model Black # SCOSYAW15240B Ral:9005

Heater Model White # SCOSYAW15240W Ral:9010

Controller #SPASCR90

One controller will operate up to 12 heaters

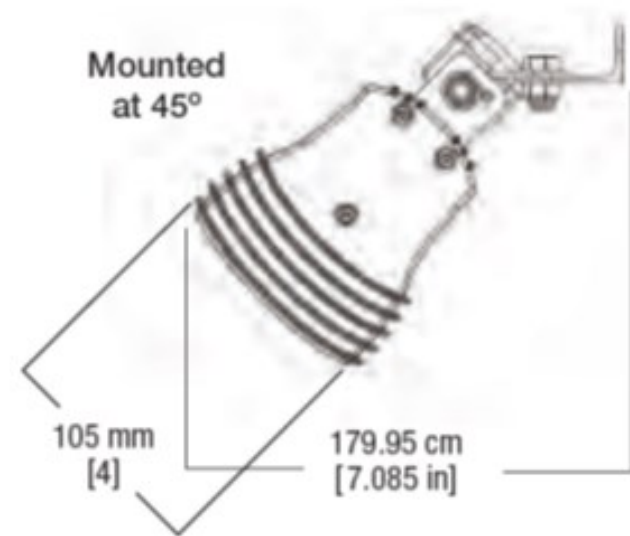
110 VOLT: 1.5Kw 120V

Heater Model Black # SCOSYAW15120B Ral: 9005

Heater Model White # SCOSYAW15120W Ral:9010

Controller #SPASCR90

One controller will operate up to 7 heaters



NOTE:

Maximum 7 ea. 110 volt heaters can be used per controller.

Maximum 12 ea. 240 volt heaters can be used per controller.



aura™

INFRARED PATIO HEATER

ADVANCED LOW-LIGHT,
LOW-GLARE CARBON FIBER
EMITTER TECHNOLOGY



IP65 rated
water resistant

AVAILABLE IN TWO MODELS

CF3000 3000W, 240V

CF1500 1500W, 120V

- Adjustable wall and ceiling mounting brackets included*
- Durable extruded aluminum construction
- Virtually maintenance-free
- Instant heat, warm ambient glow
- Safe and odorless



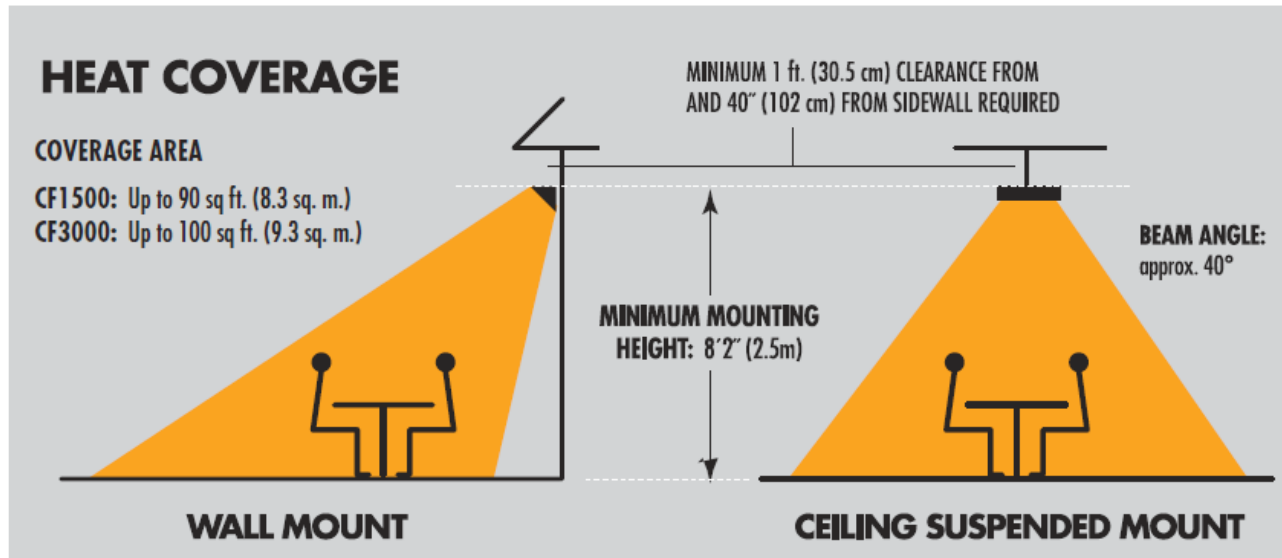
Includes convenient
remote control



Wall and ceiling
brackets included*

AURA CF3000 Carbon 3000W BLACK 208 - 240 VOLT: **Model # CF302408**

AURA CF1500 Carbon 1500W BLACK 120 VOLT: **Model # CF151208**



Note:

Specifier / Customer must contact Solaira directly for recommended heater number and location.

CARBON FIBER EMITTER

Aura Carbon Fiber emitter lamps are manufactured with extremely strong and lightweight woven carbon fibers. When energized, the carbon fiber produces a soft, ultra-fast warming medium/short wave infrared, radiant heat.

*Heat Zone and actual heat density will vary based on mounting height and angle of heater (Overhead mounted zones will be different than this guide). Please use this as a guideline only and contact Solaira for a more detailed specifier guide.

REMOTE CONTROL



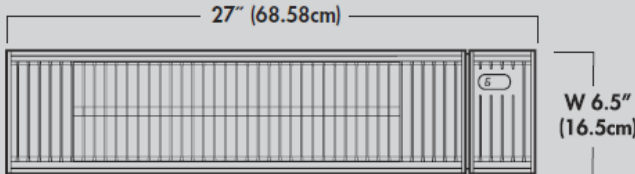
RANGE: UP TO 19.5 ft. (6 m)
INCLUDES ON/OFF BUTTONS WITH 6 HEAT SETTINGS:
33% - 50% - 66%
80% - 88% - 100%



REQUIRES 2x AAA,
 1, 5V NOT INCLUDED

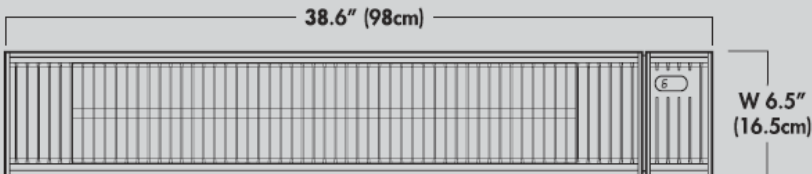
CF1500

WEIGHT: 10lbs (4.5kgs)



CF3000

WEIGHT: 14.3 lbs. (6.5 kg)



RoHS
 COMPLIANT

IP65
 DUST, RAIN, WATER-JET PROOF
 ÉTANÇHE À LA POUSSIERE, À LA PLUIE ET AUX JETS D'EAU
 POLVO, LLUVIA, PRUEBA DE AGUA-JET

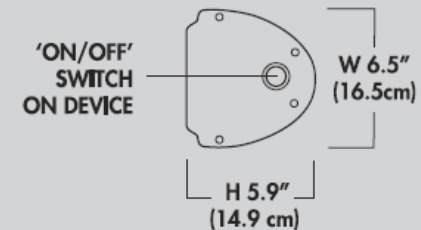
* affixing hardware (screws/bolts/wall anchors not included and to be supplied by installer to suit application)

The AURA heaters is a more economical heater that simply plugs in to an outlet (110 volt version). This heater does not require a control box. The remote control is included in the price. Simply aim the remote towards the heater and you can custom set the heat from 1 - 6 on heat scale.

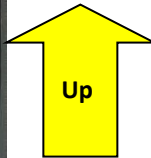
SPECIFICATIONS

EXTRUDED ALUMINUM CONSTRUCTION

INCLUDES: CEILING AND WALL MOUNT BRACKETS*, REMOTE CONTROL, 12 ft. (4.87 m) OF cETLus APPROVED, OUTDOOR RATED CABLE

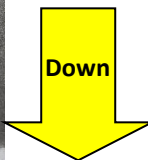


UP & DOWN Glass Walls Options



The Up & Down model is made up of two sections, one stationary and one mobile. A simple key is used to lock and release the module. To raise, release window with the key and the spring loaded module will slowly rise on its own.

Standard and custom widths available.



The Up and Down model of our glass window dividers can be customized to match your color scheme or even display your logo! The base aluminum colors are White and Iron Grey colors. Virtually any color and design graphic motifs can be added to the glass to showcase your restaurant's unique style. Other models are also available.



Installations



SET FLOORING :

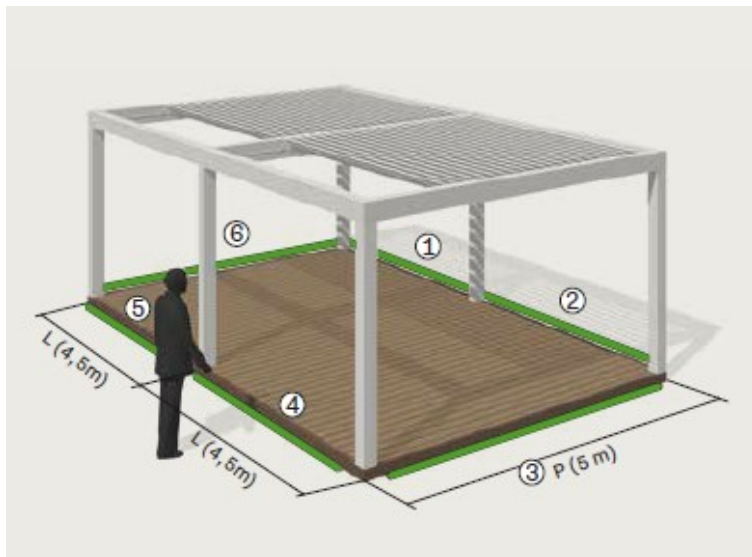


PRODUCT FEATURES:

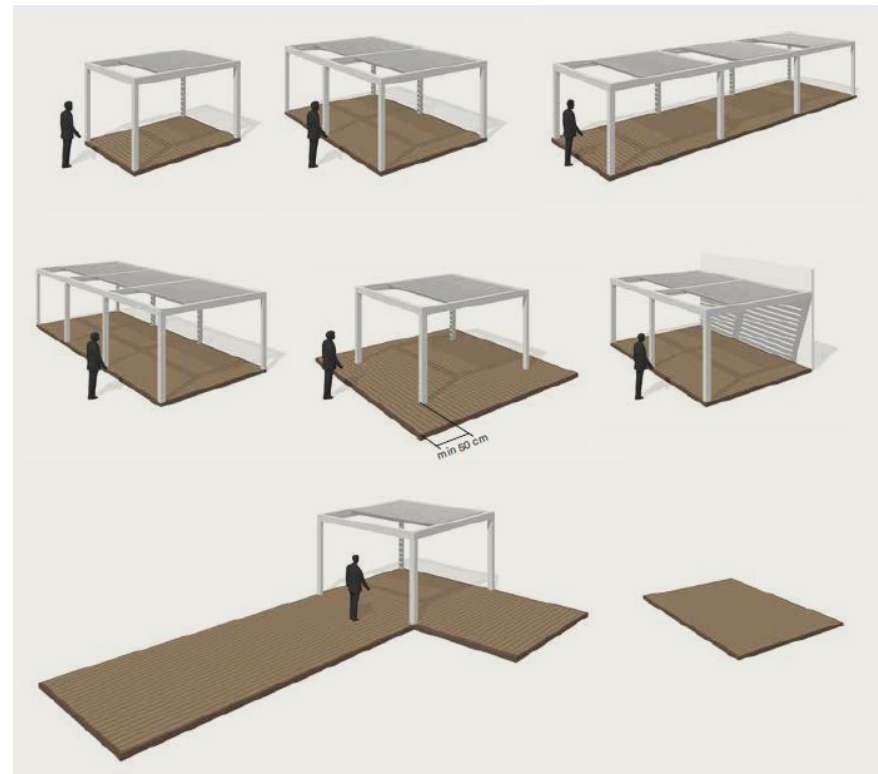
- Platform decking designed to be integrated with Bioclimatic Pergolas like Opera, Vision, Brera, Nomo, and Rialto.
- Sits on an existing supported concrete floor.
- Made to fit Pergola awning system.
- Assembled in place.
- Can be fitted with different flooring types.



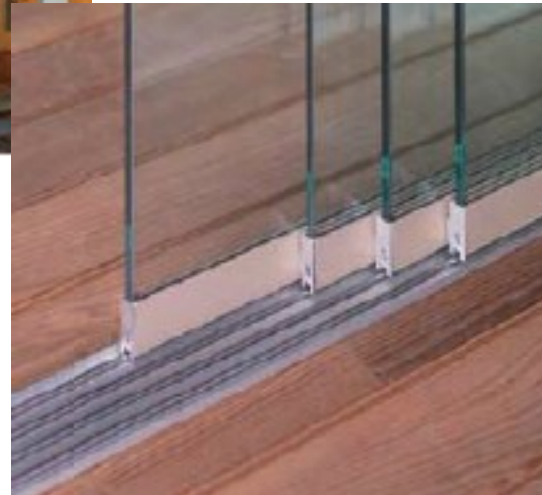
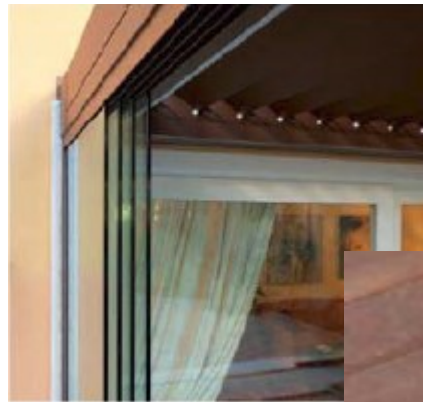
SET FLOORING cont'



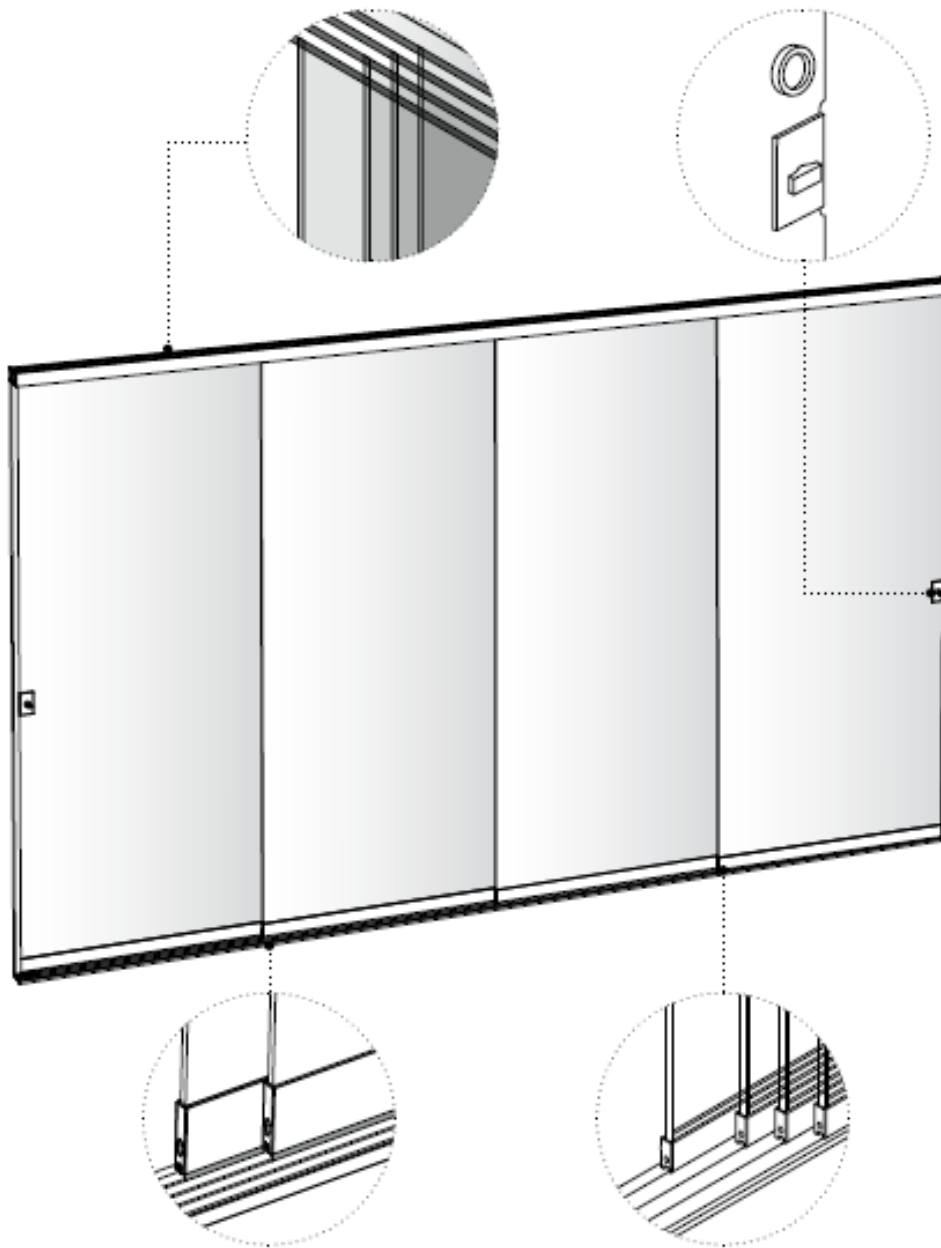
OPTIONAL: LED Lighting added



SLIDE GLASS Options for Pergolas:

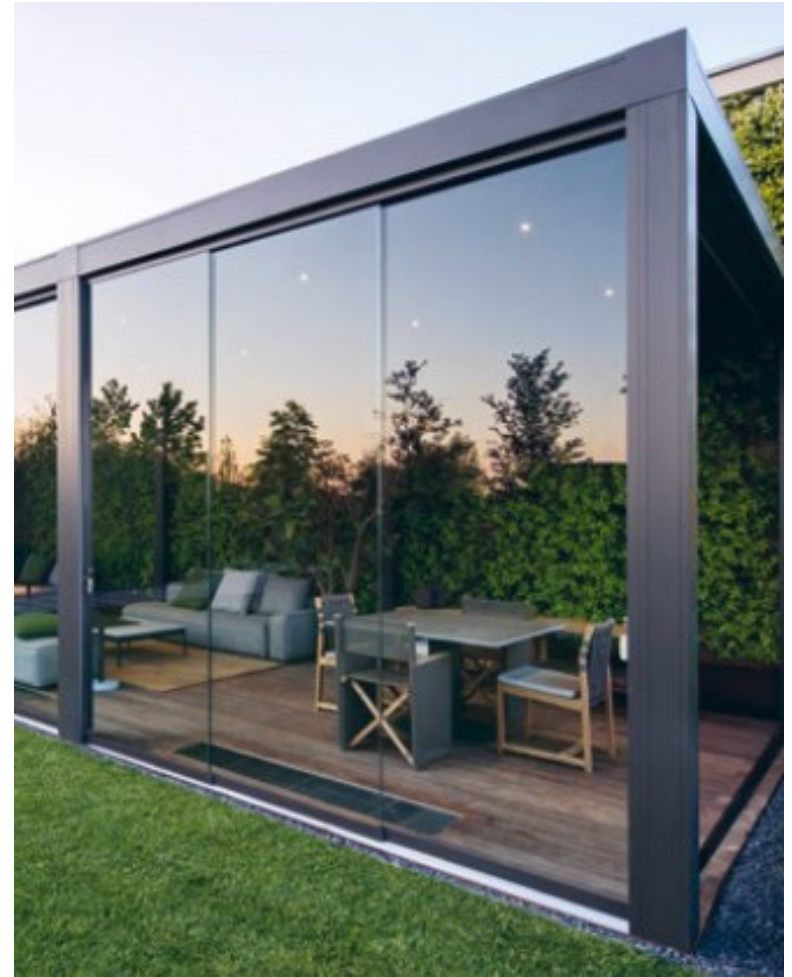


PRODUCT FEATURES:

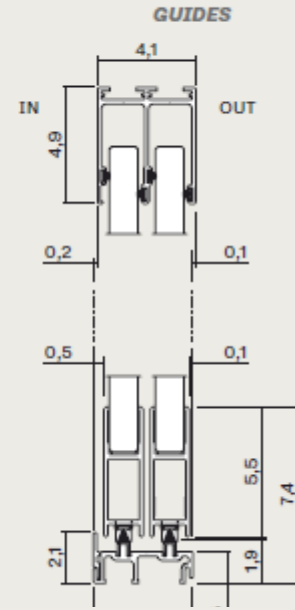
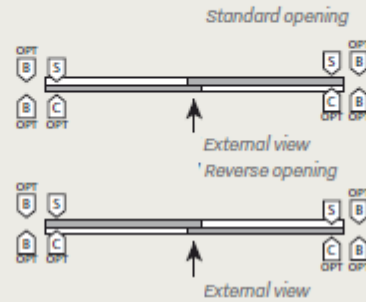
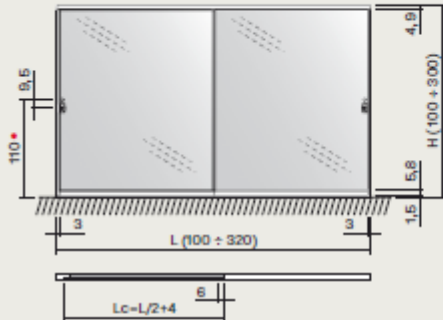


- Glass Panels with aluminum frame.
- Ideal for Bioclimatic Pergola (Rialto, Vision, and Brera S).
- Can be installed along with Raso screens on Nomo, Opera, and Brera P Pergolas also.
- Extruded aluminum Profiles.
- Stainless steel handles.
- Stainless steel trolleys with ball bearings.
- Tempered Glass 10 mm thick weighs 25 Kg. / sq./meter.
- Tempered Glass 12 mm thick weighs 30 Kg. / sq./meter.
- Two, Three, or Four way sections.
- Max Length 700cm depending on number of glass sections.
- 10mm glass available up to 250 cm High doors.
- 12mm glass available from 260 cm to 300 cm high doors.
- Lead time is longer if slide glass is added.

More Installations

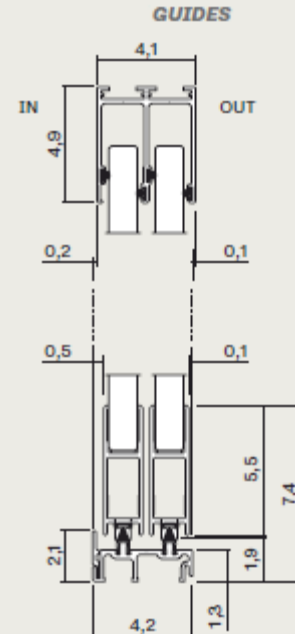
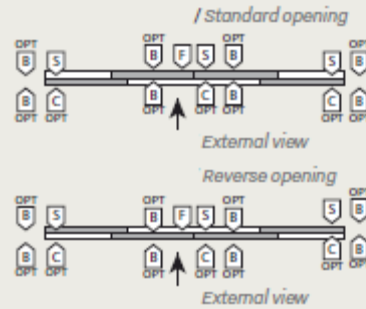
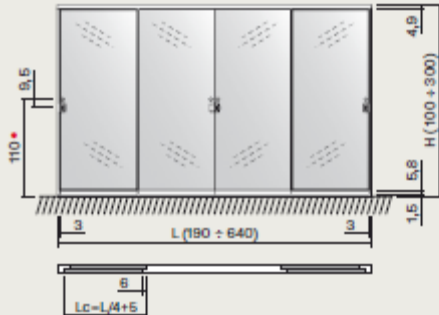


2 ways - 2 doors

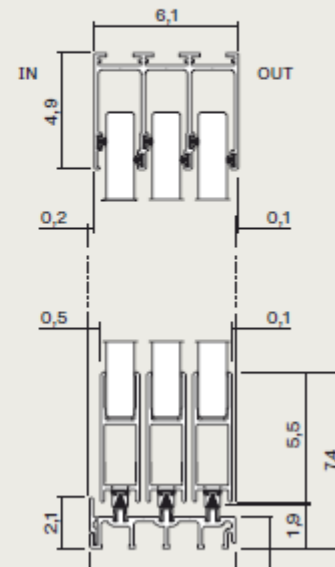
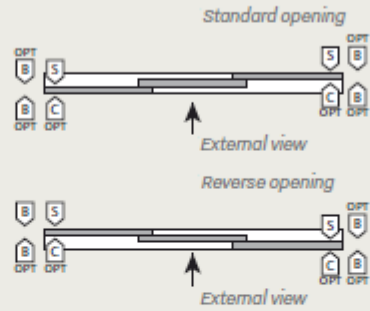
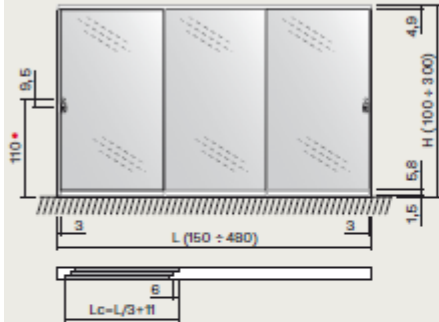


H standard of the closing "S" handle (min. H 25 cm)

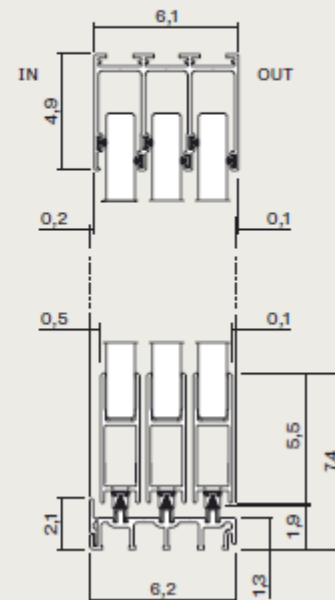
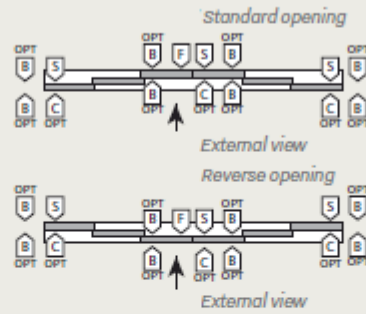
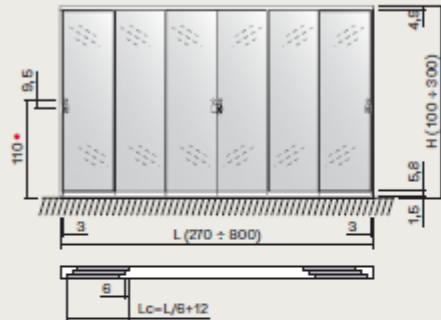
2 ways - 4 doors



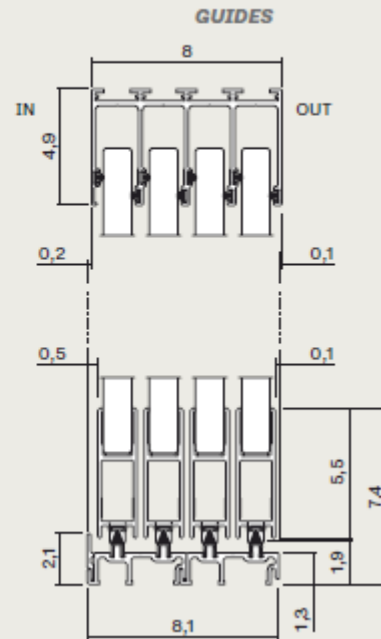
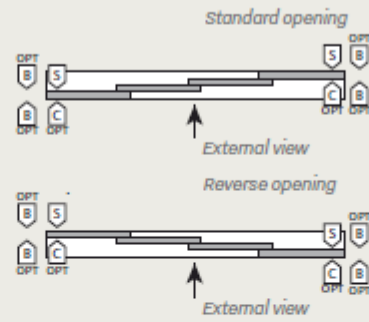
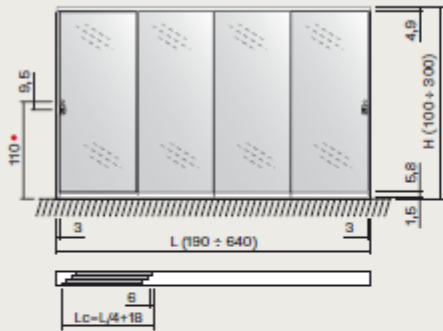
3 ways - 3 doors



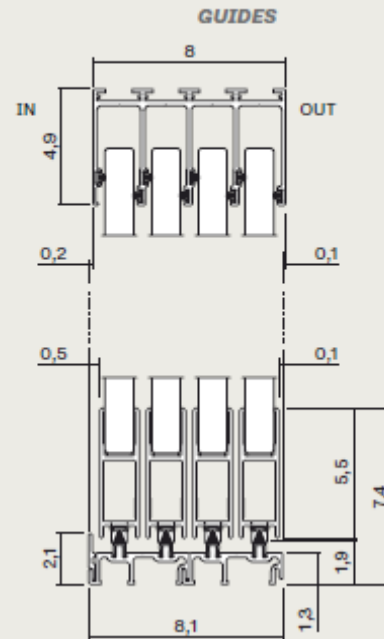
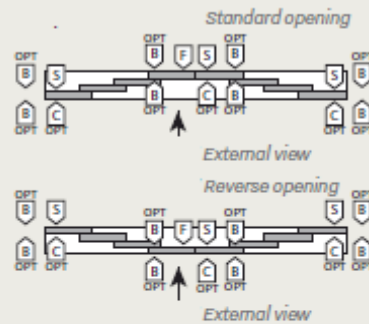
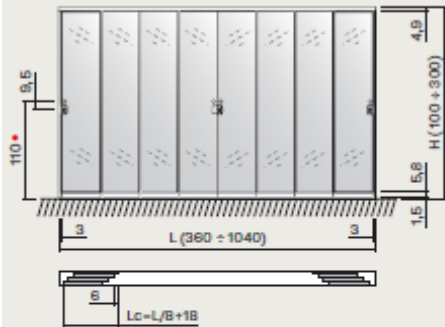
3 ways - 6 doors



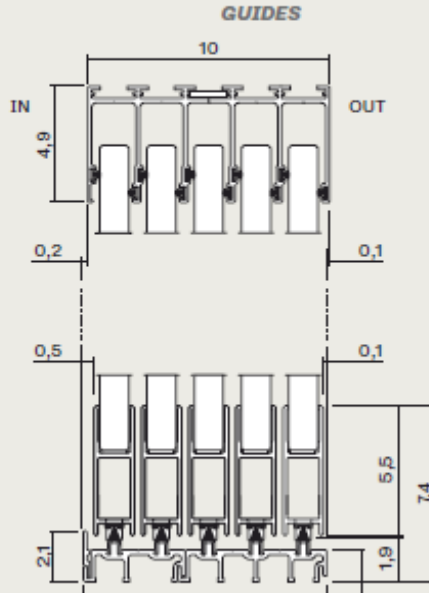
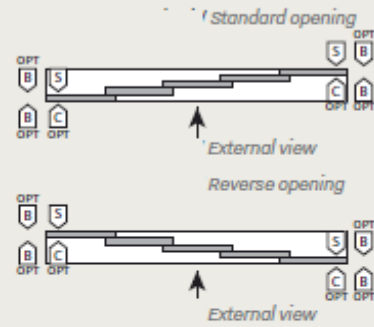
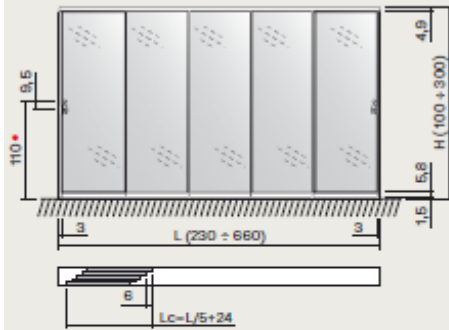
4 ways - 4 doors



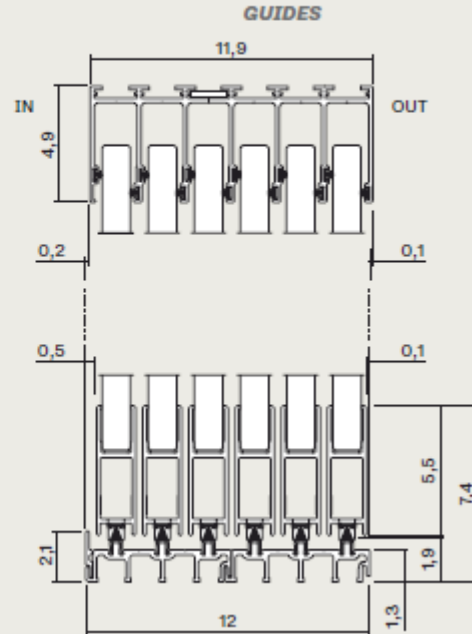
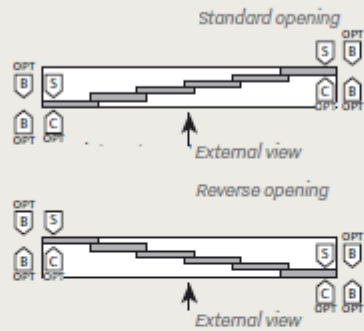
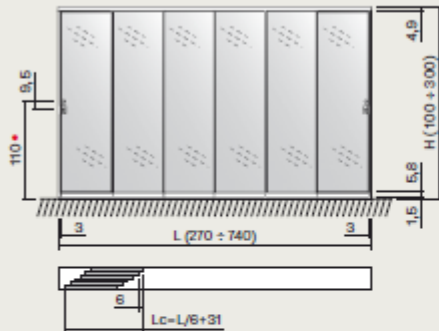
4 ways - 8 doors



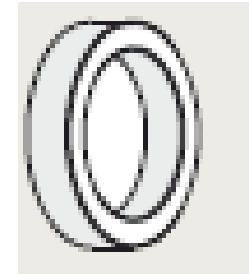
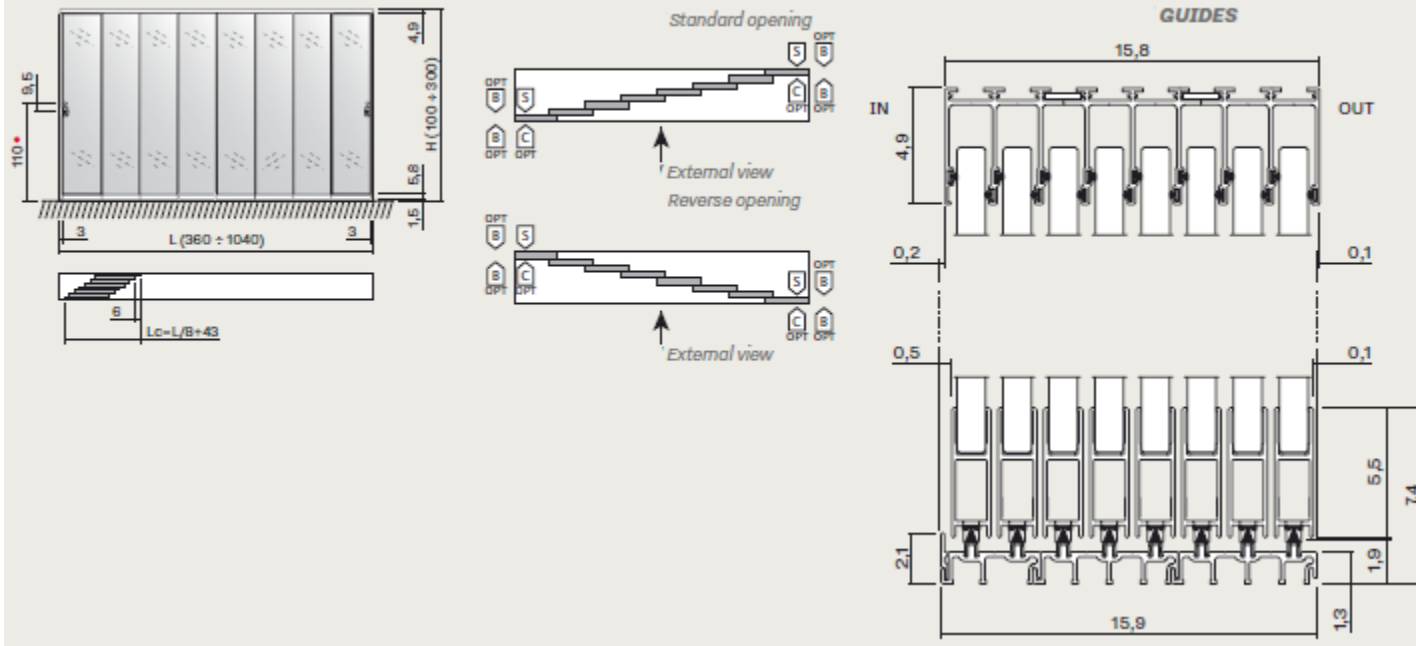
5 ways - 5 doors



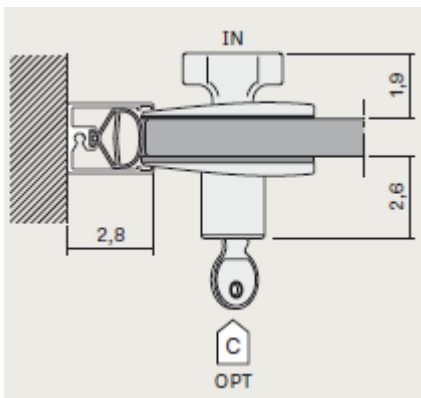
6 ways - 6 doors



8 ways - 8 doors



Driving Handle Disk



External Key Locks

Not compatible with Raso Screens.

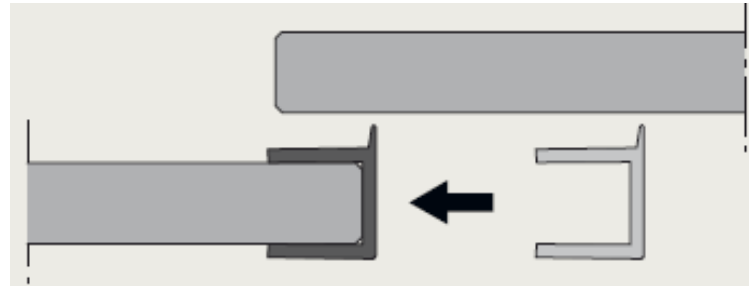
Each Lock has a key.

Door stop on bottom of floor track



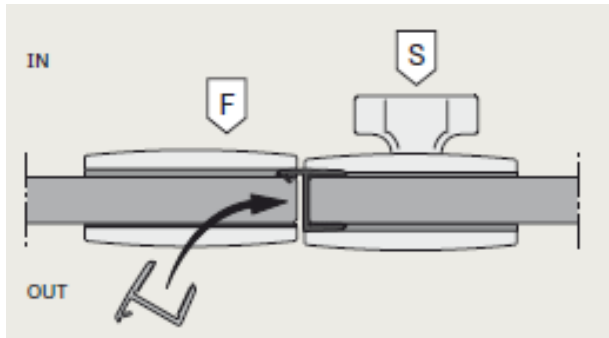
Guide side installation

Installation between Tracks



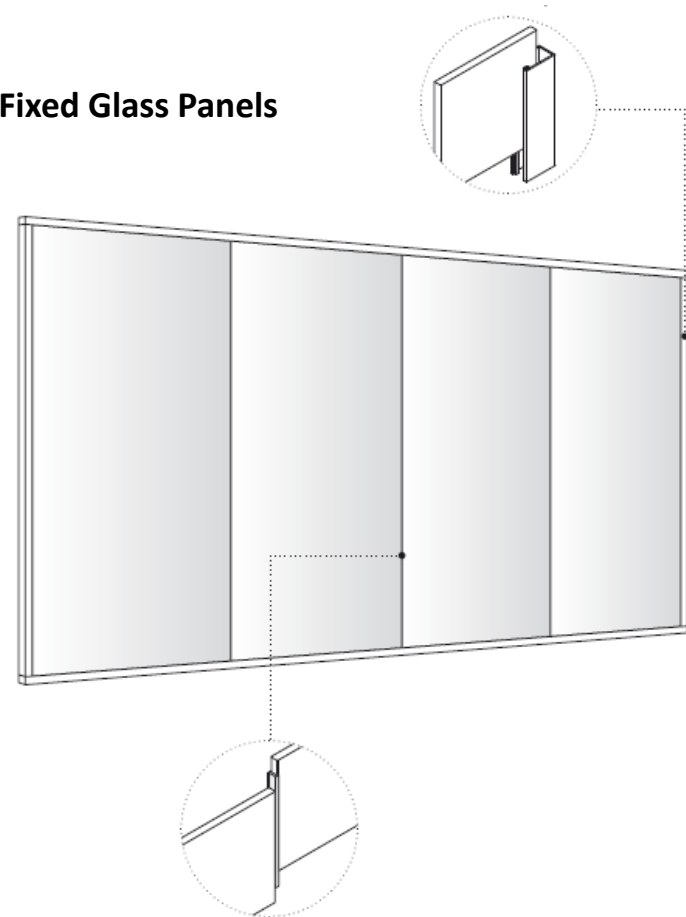
Vertical Gasket Seal:

For overlapping Doors



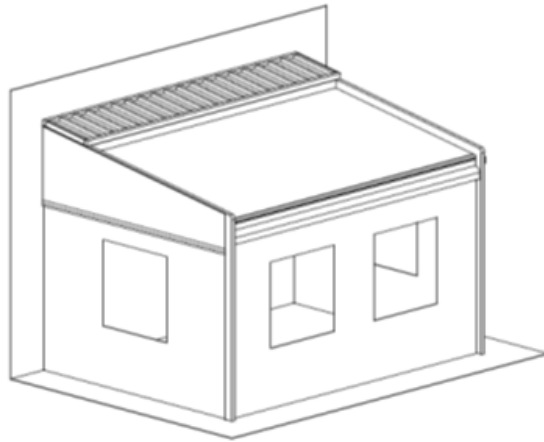
Door Seal

Optional Fixed Glass Panels



NOTES:

Note: Sunair® reserves the right to change engineering, specifications and prices without notice. Images and Illustrations in the catalog may vary from digital and printed manuals. Sunair® is not responsible for printed inaccuracies in this manual.



SUNPROOFING AMERICA!



MARYLAND LOCATION

Mailing: P.O. Box 1068
Shipping: 7785 Rt. 175
Jessup, MD 20794

Toll Free 800 - 548 - 0408
Phone: 410 - 799 - 1145
Fax: 410 - 799 - 5584

ARIZONA LOCATION

Mailing: Same as Jessup
Shipping: 3807 West Thomas Rd.
Phoenix, AZ 85017

Toll Free 877 - 272 - 3920
Phone: 602 - 272 - 3920
Fax: 602 - 272 - 3925

www.sunairawnings.com

info@sunairawnings.com