


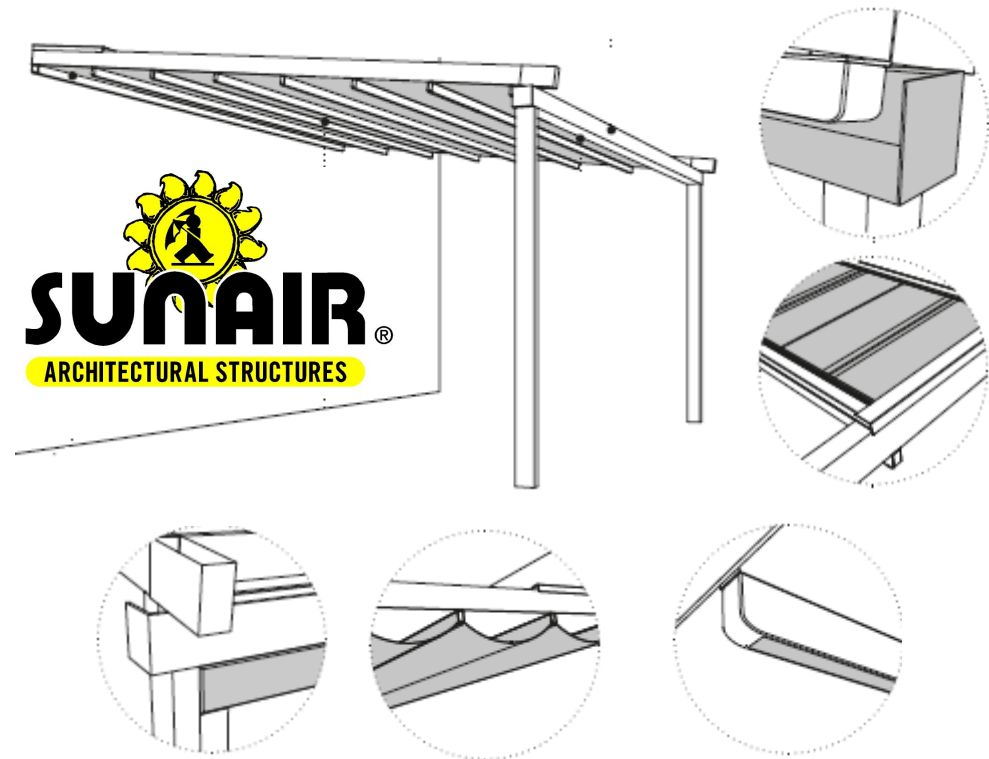
Model: LEVEL Pergola®

Revised 02/09/2023

	Application	Maximum Width	Maximum Projection	Options
	Wall Mounted Commercial & Residential	5m / 16' 5" Type 1 9m / 29' 6" Type 2 13m / 42' 7" Type 3	6.5 meters / 21' 4" proj.	Undercover, LEDS, Heaters, Hood, Side Screens

PRODUCT FEATURES:

- Retractable fabric roof pergola.
- Standard wall mounted Pergola system suitable for small to medium sized patios.
- Integrated front gutter for water drainage.
- Multiple units can be mounted side by side to create larger width.
- All aluminum frame powder coated.
- Manually operated smaller sizes.
- Motorized all sizes and required on larger sizes.
- Optional hood system available.
- Ideal for adding drop down screens or zipper screens with square surfaces.
- Powered with a Somfy Motor.



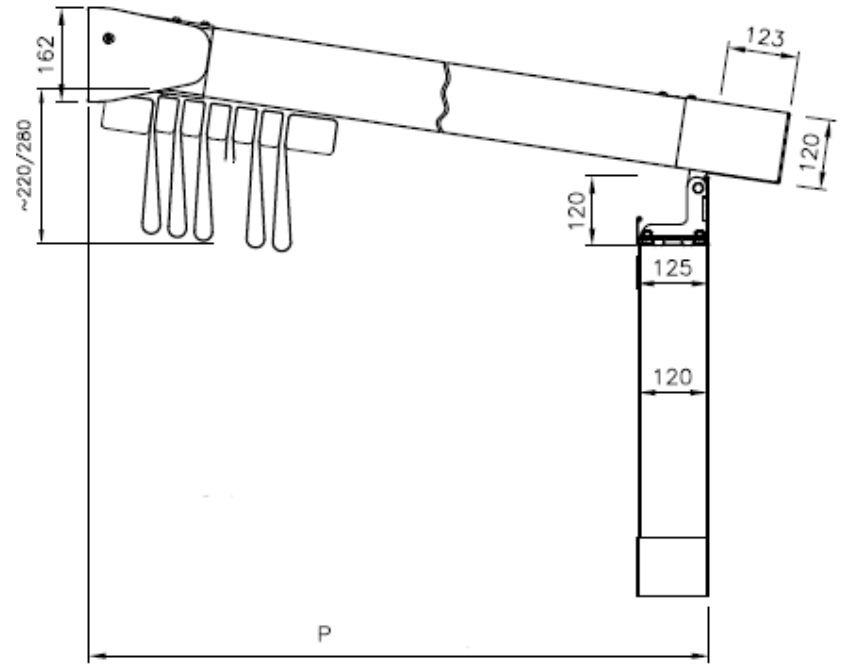
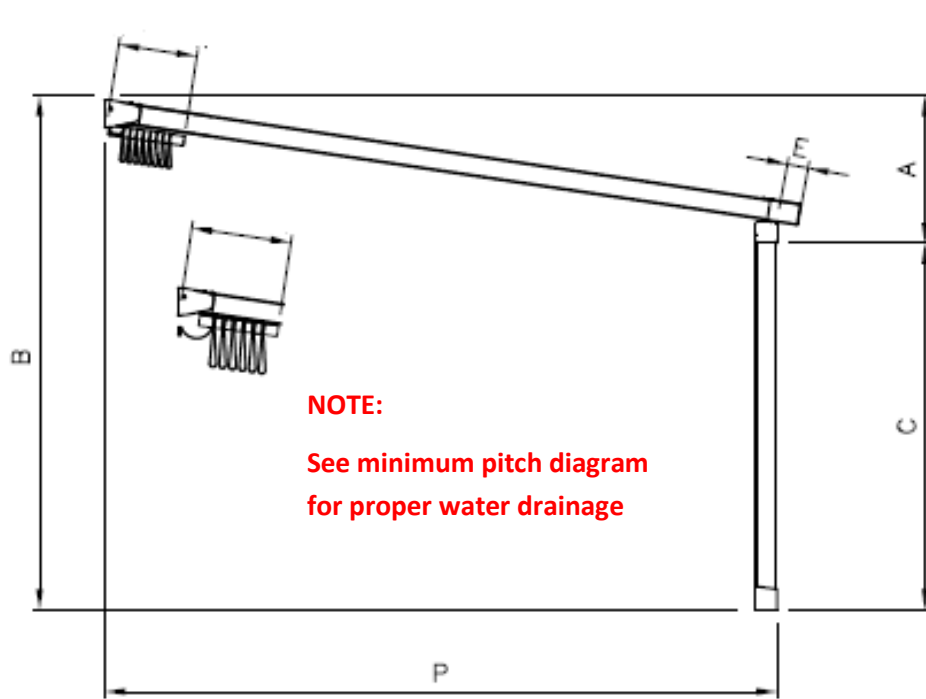
LEVEL: Commercial Installations



LEVEL: Residential Installations

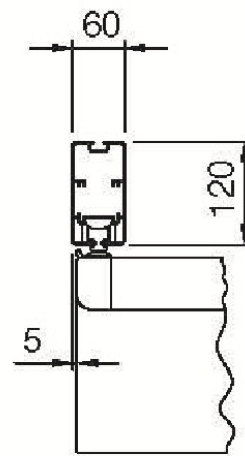


LEVEL Pergola[®] Technical information

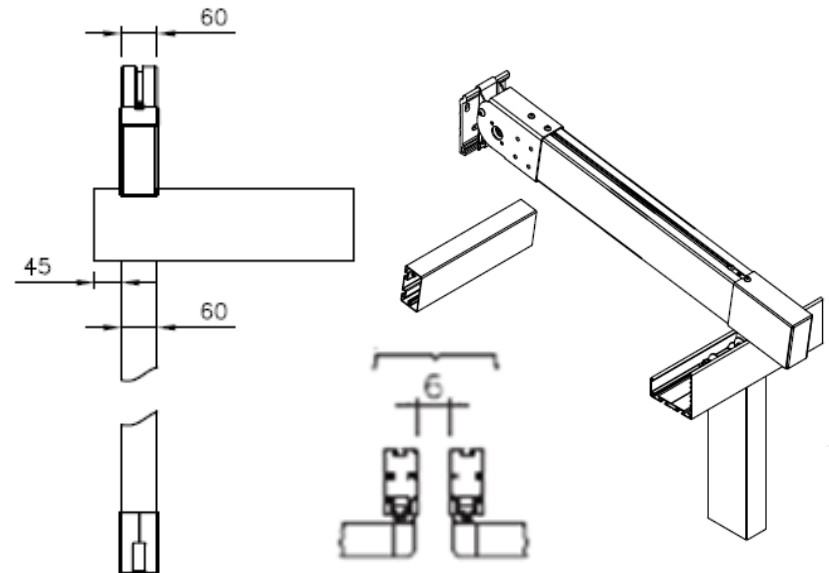


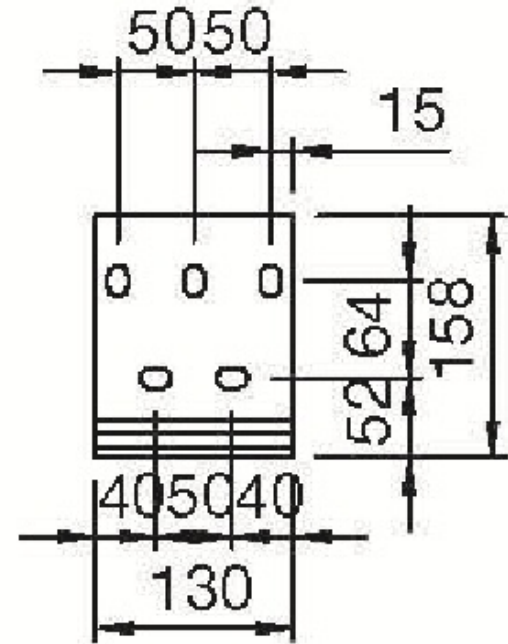
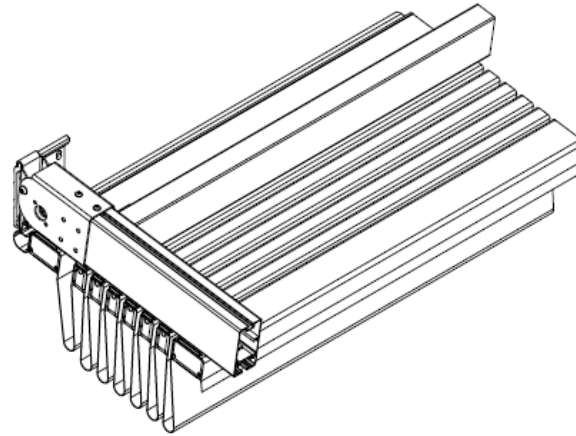
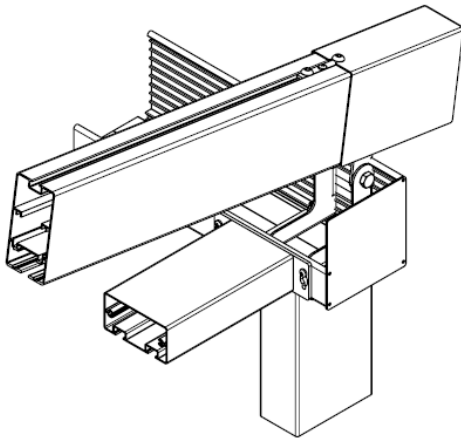
Dimensions:

- A =** Height of Slope
- B =** Height at top back
- C =** Post Height / Under gutter height
- P =** Actual Projection from wall

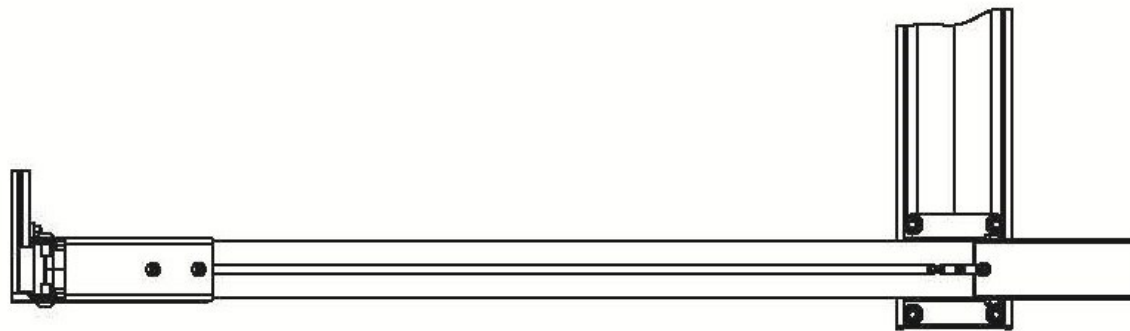
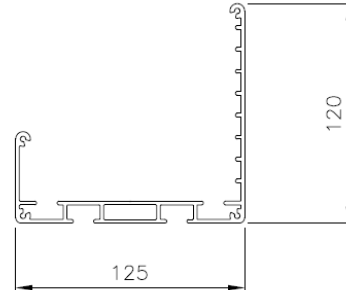
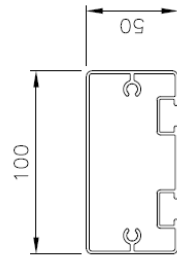
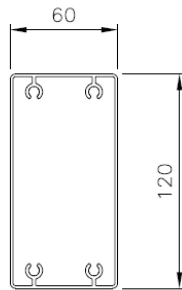
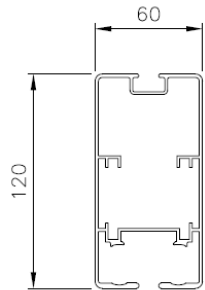


FRONT SECTION

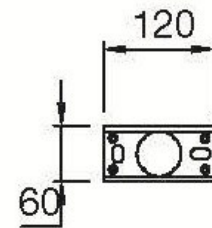


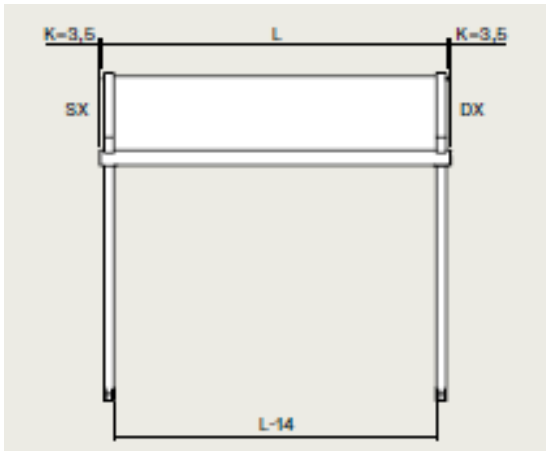


**BRACKET PLATE FOR STD.
WALL INSTALLATION**



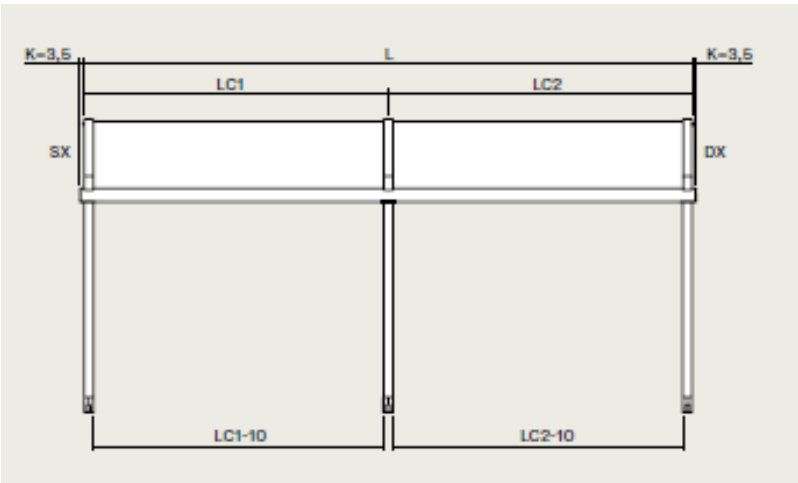
FOOT PLATE





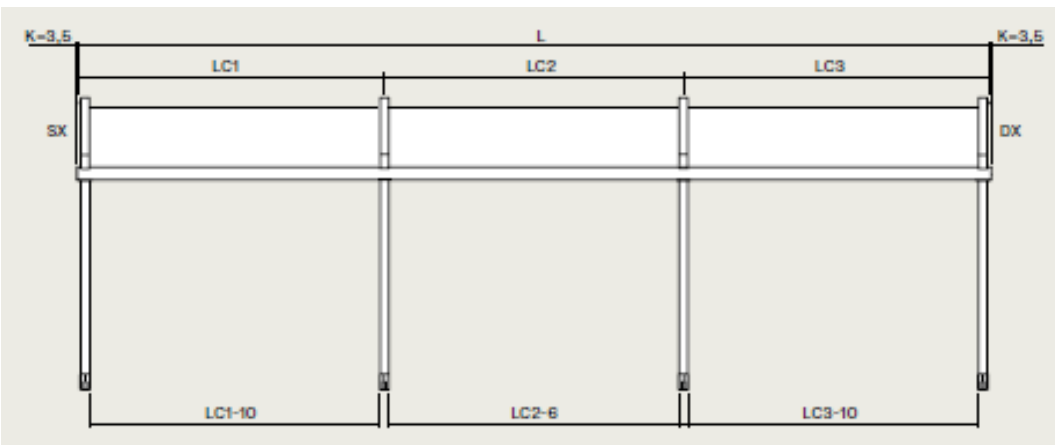
TYPE 1: Level system

L = from 8' 1" to max 16' 5" wide
L cant exceed 500 cm wide



TYPE 2: Level system

2 spans (L from 14' 9" to 29' 6" max total
L1 & L2 from 6' 6" to 14' 9" wide
L cant be less than 451 cm or more than 900 cm. LC cant be less than 200 cm or more than 450 cm

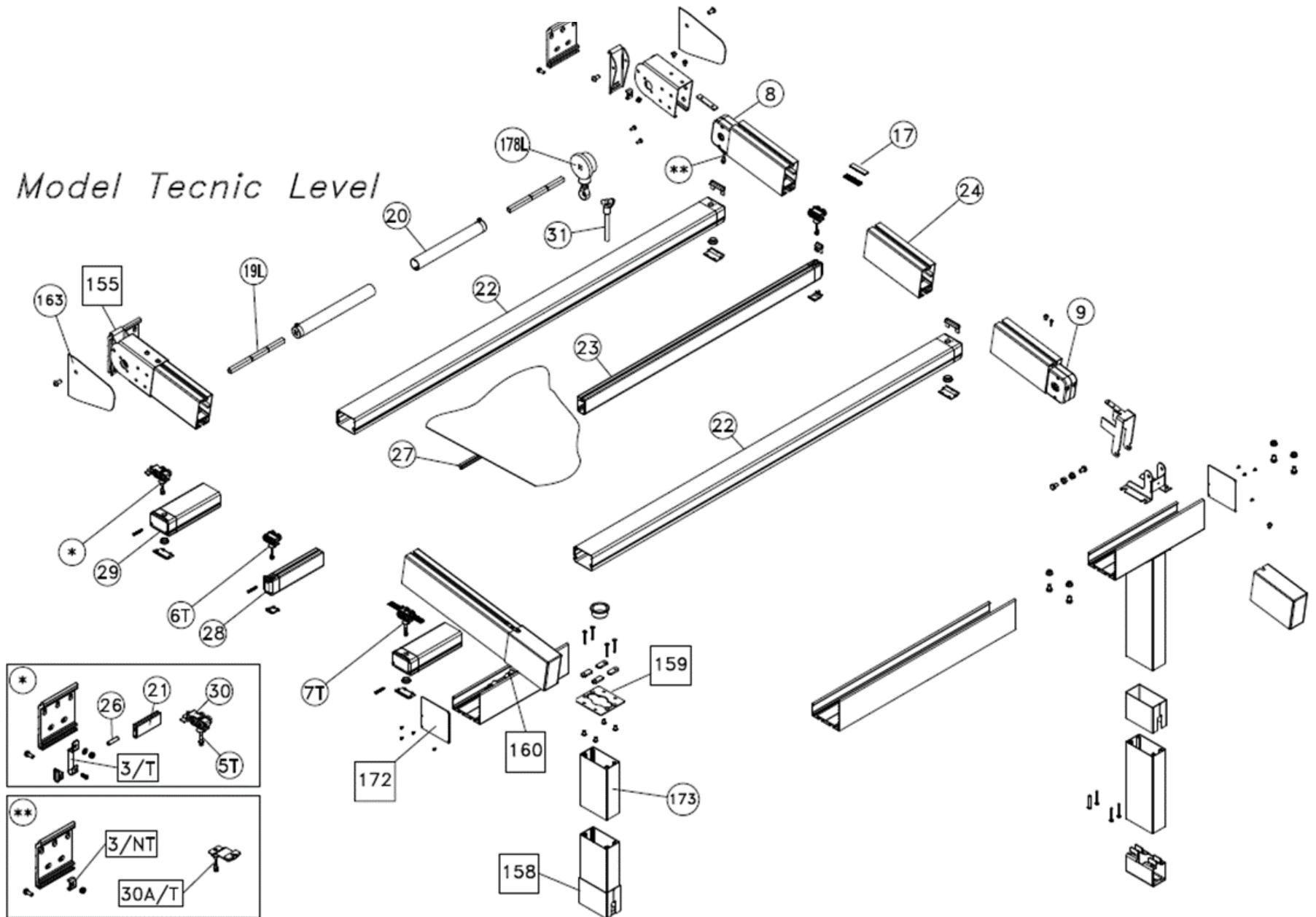


TYPE 3: Level system

3 spans (L from 27' 11" to 42' ")
L1, L2 & L3 from 6' 7" to 14' 2" wide
L cant be less than 851 cm or more than 1300 cm. LC cant be less than 200 cm or more than 435 cm

PERGOLA® LEVEL

Model Tecnic Level

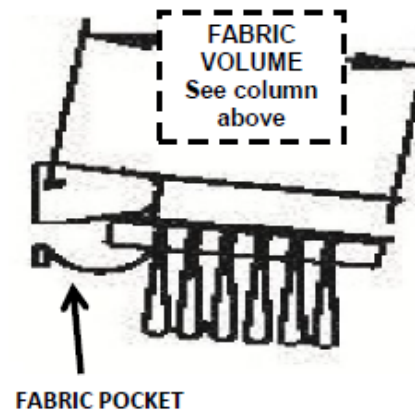
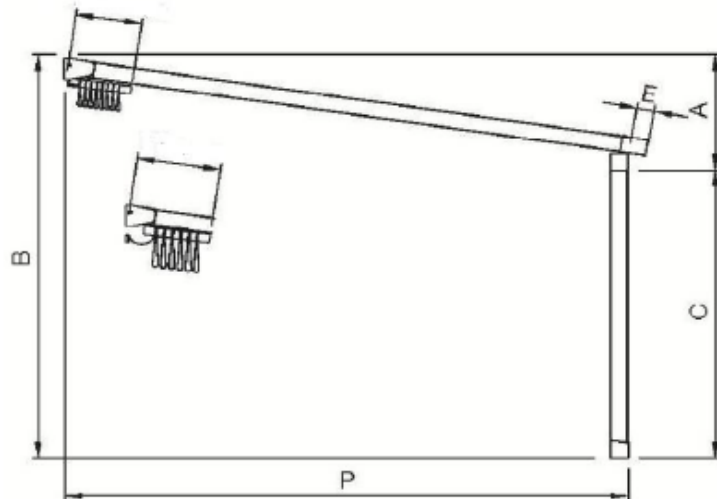


THE BELOW CHART REPRESENT THE IDEAL SLOPE ON THE "LEVEL" UNIT WITH TAUT FABRIC FOR PROPER WATER DRAINAGE

SEE OTHER OPTIONS FOR WATER DRAINAGE ON FLAT UNITS IN PRICELIST
LEVEL

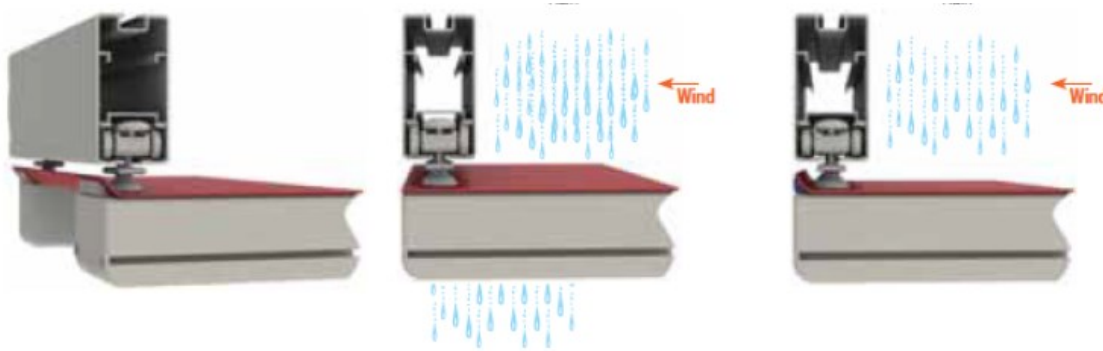
PROJECTION "p"	DROP "A" IN CM/INCHES												NUMBER OF FABRIC FOLDS	FABRIC VOLUME RETRACTED W/POCKET
	2.5M 8'-2"		3.0M 9'-10"		3.5M 11'-5"		4.0M 13'-1"		4.5M 14'-9"		5.0M 16'-5"			
	CM	INCHES	CM	INCHES	CM	INCHES	CM	INCHES	CM	INCHES	CM	INCHES		
2.0M (6'-6")	44	18	48	19	52	21	54	22	55	22	55	22	3	18"
2.5M (8'-2")	49	20	54	22	59	24	62	25	63	25	63	25	4	19 3/4"
3.0M (9"-10")	54	22	60	24	66	26	69	28	70	28	70	28	5	21 3/4"
3.5M (11'-5")	59	24	66	26	73	29	76	30	78	31	78	31	6	23 1/2"
4.0M (13'-1")	63	25	71	28	79	32	83	33	85	34	85	34	7	25 1/4"
4.5M (14'-9")	68	27	77	31	86	34	91	36	93	37	93	37	8	27 1/8"
5.0M (16'-5")	73	29	83	33	93	37	98	39	100	40	100	40	9	29 1/8"
5.5M (18')	78	31	89	36	100	40	105	42	108	43	108	43	10	30 3/4"
6.0M (19'-8")	82	33	94	38	106	42	112	45	115	46	115	46	11	32 3/4"
6.5M (21'-4")	87	35	100	40	113	45	120	48	123	49	123	49	12	34 3/4"

THE RECOMMENDED HEIGHT "C" AT THE FRONT BAR IS 230CM OR 90.5"

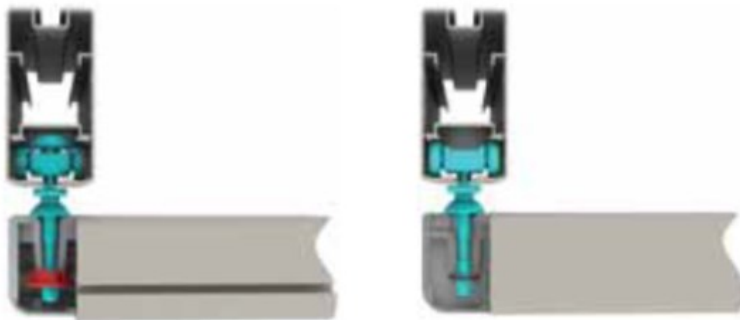


PRATIC PERGOLA® FEATURES AND PATENTS

NOTE: Features will depend on Pergola model chosen.



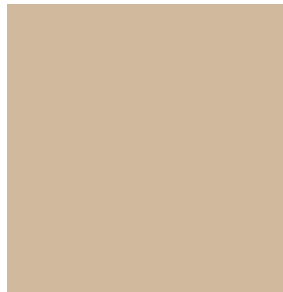
The patented drip catcher keeps water from flowing off the sides when the wind is pushing water sideways. Instead the water will flow off the front or into the gutter (Traditional Pergola models only).



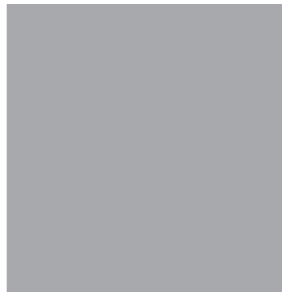
The patented click system allows for easy and safe installation of the fabric and fabric ribs to the frame carriages using an easy click and lock system. This patented safety box for the motor installs on the frame with an extra mounting profile. This feature keeps the fabric perfectly straight even in temperature variations. The device makes operating easy and quieter and also stops the motor from operating in case of excessive force. The box is ideally suited for Somfy RTS Altus motors with remote controls (Traditional Pergola models only).



STANDARD FRAME COLORS FOR THESE PERGOLA MODELS:



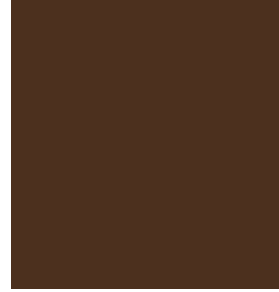
MOCHA
Semi Gloss



GREY Gloss
Ral 7040



TAUPE Gloss



BROWN Gloss



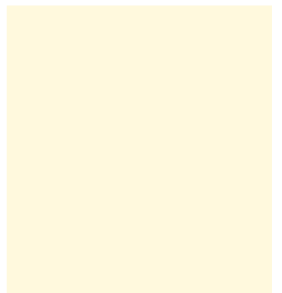
BRONZE
Coarse



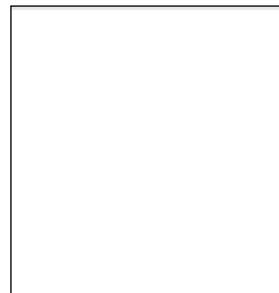
BLACK Gloss
Ral 9005



GREEN Gloss
Ral 6005



IVORY / SEMI
Gloss Ral 1013

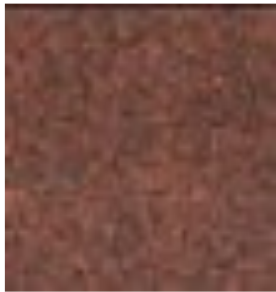


WHITE Gloss
Ral 9010

NOTE: All these colors except Green Ral 6005 and Desert Sand / Ivory are “super durables” which offer better durability compared with standard polyesters powders.

NOTE: ACTUAL FRAME COLOR MAY VARY FROM DIGITAL IMAGES

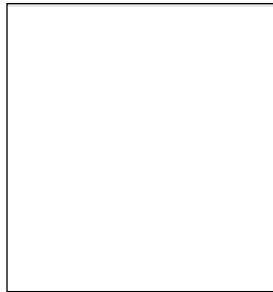
OPTIONAL FRAME COLORS FOR THESE PERGOLA MODELS:



CORTEN
Coarse



IRON GREY
Coarse



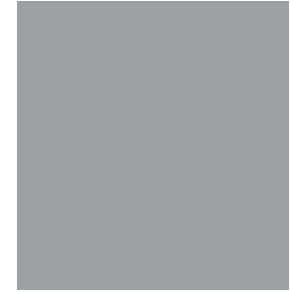
WHITE SAND
Coarse Ral 9016



IVORY SAND
Ral 1013 Coarse



GREY SAND
Gloss Ral 9006



BRIGHT ALUM
Matt Ral 9006

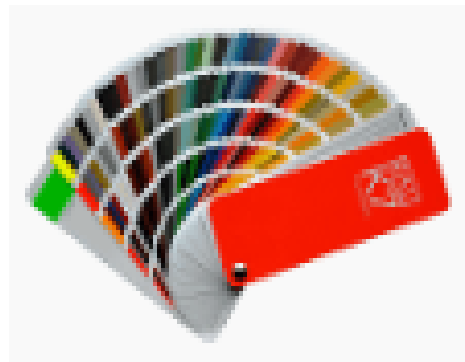
NOTE:

The above colors will be an upcharge cost when used on Level, Mito, Tecnic, and Tecnic One Pergolas. ACTUAL FRAME COLOR MAY VARY FROM DIGITAL IMAGES .

ALSO OPTIONAL

FULL RAL COLOR RANGE / EXTRA
COST

www.ralcolor.com



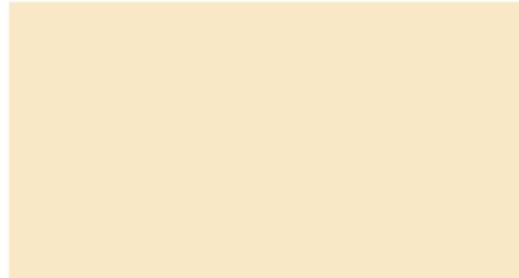
PERGOLA STANDARD FABRIC COLORS

602 FLEX LIGHT CLASSIC / OPAQUE COLORS



602-8503-98"

White 602

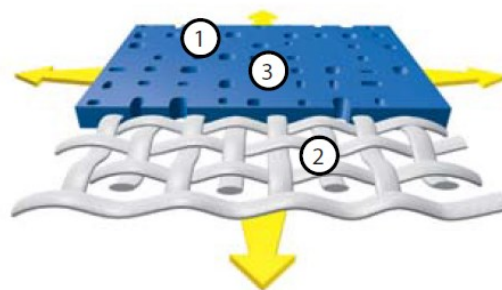


602-50020-98"

Cream 602

The Preconstraint 602 fabric from Ferrari offers excellent dimensional stability with minimal stretching and exceptional dirt resistance thanks to a PVDF topcoat on both sides. The fabric is therefore perfect for use on retractable Pergola® roof awnings. The fabric is 22.1 oz/sq yard with a Glossy finish. The two standard opaque colors above are the most commonly used and is standard on all Pergola® awnings. The two above colors are opaque and do not allow light to go through the fabric. Fabrics are Fire Retardant and certificate is available.

5 year warranty from Ferrari on a retractable system



OPTIONAL PERGOLA & SCREEN FABRIC COLORS

502 PROOF SOLTIS / OPAQUE SATIN FINISH COLORS

The Preconstraint 502 fabric from Ferrari also offers excellent dimensional stability with minimal stretching and exceptional dirt resistance thanks to a PVDF topcoat on both sides. The fabric is therefore perfect for use on retractable Pergola® roof awnings. The fabric is 16.8 oz/sq. yard with a satin finish. Fabrics are fire retardant and certificate is available.



satin finish

5 year warranty from Ferrari on a retractable system

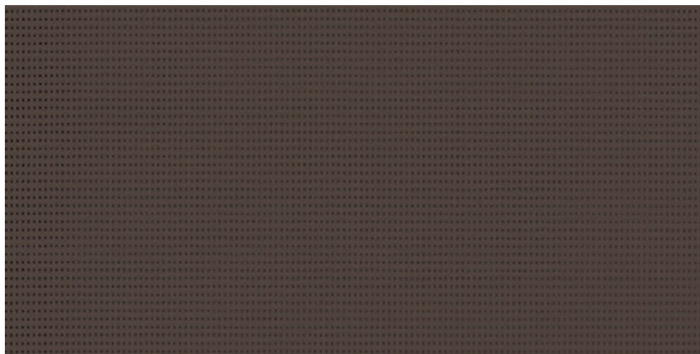
Serge Ferrari

Soltis
Horizon 86

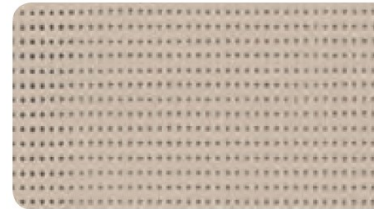
Serge Ferrari
14 % Open Screen Mesh



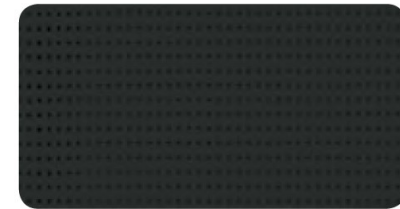
Raso Screen



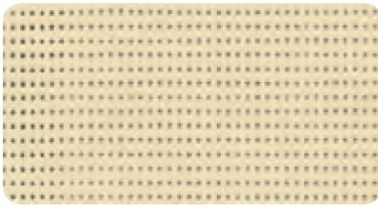
86-2043
Bronze



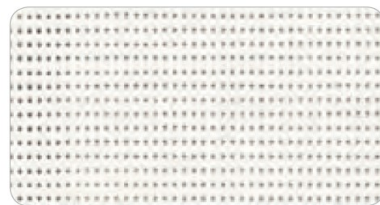
86 – 2135
Sandy Beige



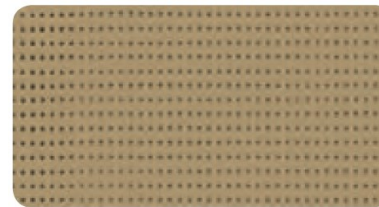
86 – 2053
Black



86 – 2175
Champagne



86 – 2044
White



86 – 2012
Pepper



86 – 2171
Boulder

■ Technical properties

Openess factor	14%
Weight	380 g/m ² — 11.2 oz/sqyd
Thickness	0.45 mm — 450 microns
Width	177 cm - 267 cm — 69.7 in. - 105.1 in.

Superior elongation and tear resistance

No deformation during processing and use

Superior aesthetic and mechanical durability

Smooth finish easy to clean, space saving, easy rolling

MOTORIZATION & AUTOMATION

ALTUS®



Note:

Opera and Vision Louvered systems uses a different Linak motor and remote.



The Sunair PERGOLA® program features SOMFY RTS motor with an integrated radio receiver that allows you to operate the awning or screen by remote control with a wall mounted or hand held remote and by a smart phone device.

With a simple click of a button on your remote, the awning or shade will extend, retract , lower or raise automatically.

The Somfy TaHoma® gateway and smart phone app provides convenient and customized control of Somfy powered motorized shades, blinds

The BOND HOME: Bond Bridge and Bond Bridge Pro works as a bridge between Wi-Fi and your remotes recorded signal allowing you to operate your Sunair shades, awnings, pergolas, ceiling fans, fireplaces and more with the Bond app. Works with Somfy and other motor manufactur-



SOMFY REMOTES:



Telis 1 & 4 RTS
Hand-held Remotes



Situo 1 & 4 hand
held remotes

One (1) through (16) channel hand held or wall mounted remotes are available. Remotes are available in different colors to suit your style, please inquire.



Telis hand-held remotes offer convenient and simple operation of every type of motorized application. Channels help organize the motorized products that are operated. Single channel remotes can operate one individual product or one group of motorized products. Multiple channel remotes can handle groups of motorized products.



Telis 1 Chronis
RTS Timer



DecoFlex WireFree™ RTS
Wall Switches



Telis 1 Patio for
exterior use



Smooove® 1 RTS
Surface Mount Wall Switch



Telis 16 RTS
Hand-held Remote

OUR FABRIC ROOF PERGOLA® MOTORS



Sunair uses Somfy motors and controls for their Pergola awnings

Altus 530 Nomo, Rialto, Phoenix Air, and Free

Altus 550 Series: Type 1 & 2 standard Pergolas

Altus 550 Series: Brera P, S, and B Pergolas

Altus 660 Series: Type 3 Traditional Pergolas

Note: Motor type used will depend on the model, size and projection of the unit.

	530	550	660
Torque	30 Nm	50 Nm	60 Nm (530 in. lbs.)
Nominal Voltage			120V / 60Hz
Rated Current	1.5A	2.1A	2.5A
Speed	14 rpm	14 rpm	14 rpm

All Somfy Motors are UL and CSA Recognized

- All SOMFY motors are UL Recognized and can be found under the following file numbers:

E60495, E60888, E63714



Type of power cable

RTS
120V AC / 60Hz
3 conductor cable



white = neutral

black = hot

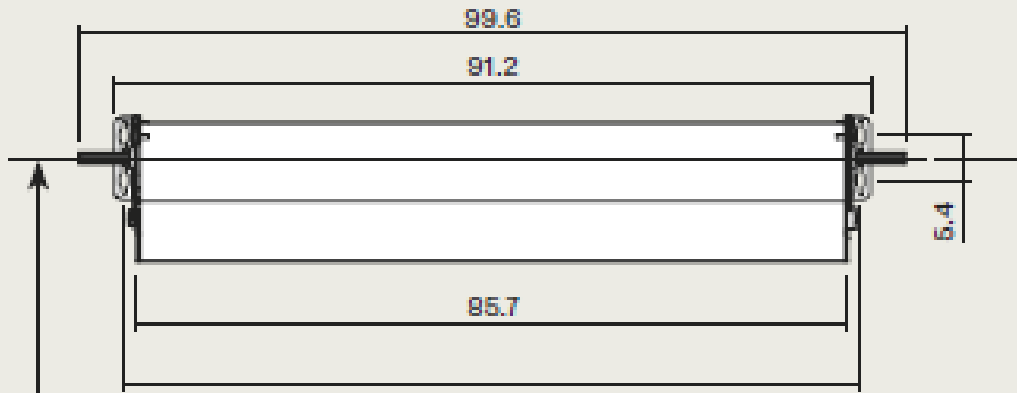
green = ground



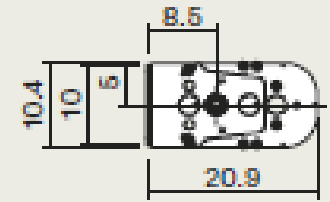
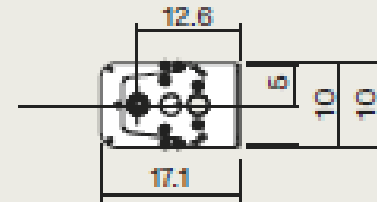
Radio Technology Somfy

Radio Technology Somfy® (RTS) allows wireless radio control of motorized applications via the RTS family of controls.

MOTOR SAFETY BOX DIMENSIONS



/ Transmission shaft



Screen motor for RASO & SC4500 zipper screens

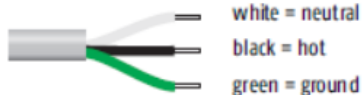


SCREEN MOTORS:

The screens are available with the 525 altus SOMFY motor and also the 525 Maestria Obstacle detection motor. These motors are tubular 110 volt motors and are integrated into the Raso roller tube like a normal screen motor. Electrical wiring for the Raso screens is integrated within the gutter system and posts and all electrical connections are pre-wired within the Pergola system to one central connection point for all the electrical options and motors. The Maestria obstacle detection motor prevents fabric damage resulting from screen bunching and slipping from the guides. The motor senses and distinguishes between an actual obstacle and wind, even wind gusts, so it doesn't stop unnecessarily, resulting in fewer service calls and end user peace of mind.

Type of cable

RTS
120 V / 60 Hz
3 conductor cable



Note: It is recommended to use a multi channel Telis 4 remote to operate multiple screens. The Screen motors use the same RTS motor as all Pergola models except the Louvered Pergola systems. The Louvered OPERA & VISION systems use a separate TELECO remote control to operate the Louvered 24 volt motor and LED's.

Performances

525A2

Torque	25 Nm
Nominal Voltage	
Rated Current	1.6A
Speed	20 rpm
Thermal Protection	
Radio Frequency	433.42 MHz

Somfy motor sensors:



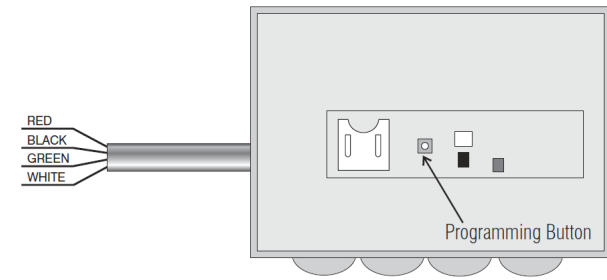
SOLIRIS RTS 24V KIT
Sun & Wind Sensor

The Soliris RTS Sun and Wind Sensor automatically controls your RTS motorized products based on current weather conditions.



ONDEIS® WIREFREE
Sun & Rain Sensor

The Rain Sensor is a solar-powered combined rain and sun sensor compatible with Radio Technology Somfy® motorized exterior products, including awnings and screens.



DRY CONTACT INPUT RTS TRANSMITTER

Dry Contact to RTS interface can be used to communicate between home automation or other third party systems like fire alarms to retract screens in an emergency. Can be interfaced with a physical switch (Battery powered). Battery designed to last at least 2 years.

Somfy TaHoma® RTS Smartphone and Tablet Interface

The Somfy TaHoma® gateway and smart phone app provides convenient and customized control of Somfy powered motorized shades, blinds, and other motorized solutions. Control up to 40 RTS (Radio Technology Somfy) channels using the TaHoma app. Multiple TaHoma devices can be joined for multi-zone control.



- North America app, you can remotely activate both Zigbee and RTS products Supports UP/DOWN/MY/STOP commands for motorized shades/blinds .
- Supports incremental control for Tilt motors and lighting ☑ Supports ON/OFF commands for control of lighting or other devices powered via the Zigbee Smart Plug Multiple users .
- Remote access Control4® Certified ☑ Integration with third-party systems over IP ☑ Compatible with Somfy Synergy™ API



TaHoma® RTS



Bond Home / Smartphone and Tablet Interface

Bond Bridge and Bond Bridge Pro works as a bridge between Wi-Fi and your remotes recorded signal allowing you to operate your Sunair shades, awnings, pergolas, ceiling fans, fireplaces and more with the Bond app. Works with Somfy and other motor manufacturers.



Bond Bridge

- Works with Alexa, Google Home, and SmartThings,
- Remote Control via Bond Home app
- Works with iPhone or Android
- No installation needed
- Smart home functionality without breaking the

Bond Bridge Pro: **Added features...**

- Ethernet port & PoE technology
- Smart home integrations
- Ceiling and wall mount

Remote control from anywhere

Be able to control everything
even from outside your home.



OPTIONAL:

- Sidekick for Shades: 5-channel Shade and awning

BOND REMOTE SWITCH:

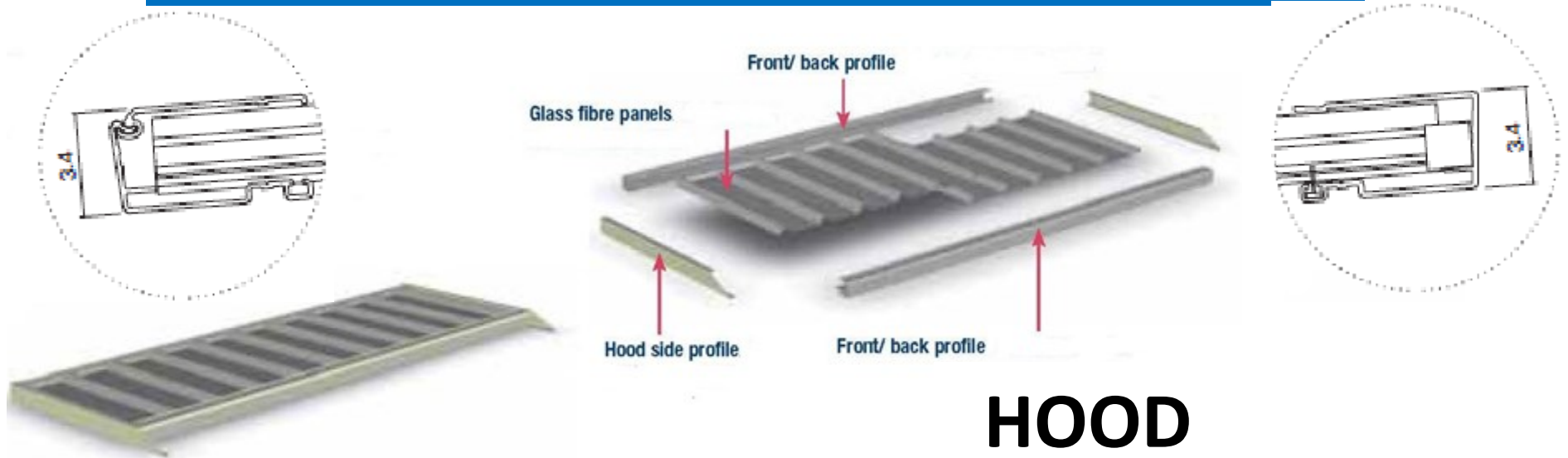
Sidekick for Shades/Awnings: 5-channel Shade Keypad



- Wireless flush mount shade remote.
- Communicates directly with the shade.
- 10-year battery life.
- Set up shade limits – no manufacturer remote required.
- This version of Sidekick does not support Scene Keypad functionality.
- 10-year battery life.
- Install with or without a workbox (flush mount).
- 5-channel control.
- Set up shade limits – no manufacturer remote required.



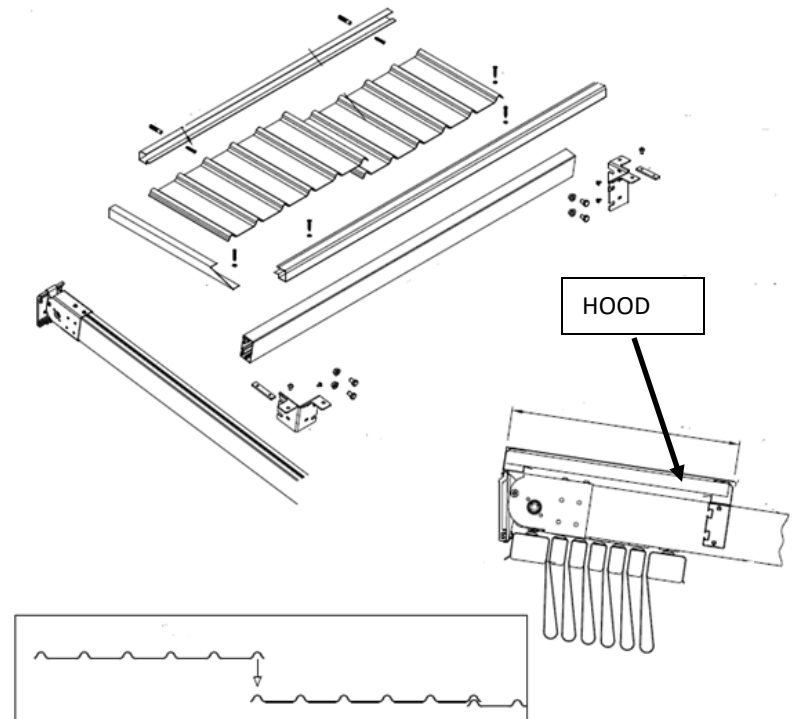
OTHER PERGOLA OPTIONS:



HOOD

HOOD: Is available standard with fiberglass panels with a metal frame. The metal frame color typically matches the awning frame. Brown fiberglass panels are standard. White fiberglass panels are also available standard but subject to stock availability.

Optional: Aluminum painted metal panels / painted to match the pergola awning frame color and metal hood pieces.



NOTE: Above panels are not available for PHOENIX, NOMO, RIALTO, OPERA, VISION, and BRERA Pergolas.

STARLED “Classic” 130 cm / 51” White LED bars

For wall mounted Pergola awnings only (Not for Nomo, Rialto, Opera or Vision).



StarLed is the high efficiency led light that allows you to create an intimate, picturesque and bright room under the pergolas

- ✓ Led bar length 130 cm. 140 Led per m., 24 V, PW 14 W
- ✓ Opaline polycarbonate tube 15x15mm
- ✓ Closing caps
- ✓ Installation with screws and adhesive tape 3M
- ✓ Light colour @3000°K
- ✓ Light emission: @1050 lumen
- ✓ High efficiency, warm light Led. Lumen - power ratio is very high, about @110lm/W
- ✓ On request with radio control.

Recommended # of lights: There is no fixed rule how many lights are recommended as it depends on how much light the customer needs. Typically three to four (3 to 4) lights is enough per section of each Pergola or per bay.

LED Soft / White Custom sized LED bars White

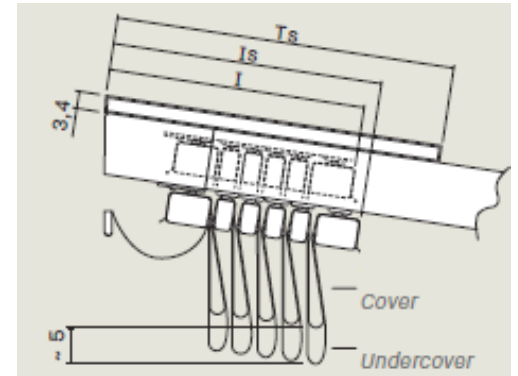
5MM ILUMA™ LIGHT STRIPS

For wall mounted Pergola awnings on-



Up to 40' of warm white dimmable LED strips can be operated by one Somfy #1811486 RTS receiver/ controller (Maximum allowable amount of linear lighting per Somfy Lighting receiver). For applications requiring more than 40' of LED's, multiple receivers may be utilized. Typically two to four (2 - 4) lighting bars are centered per each bay or section of Pergola. Multi Channel Telis remotes are needed for the LED lighting depending on how many lighting receivers are needed. Units may be grouped on a single remote channel or individually operated with a multi-channel remote. The backing is available in white and Black depending on Pergola frame, fabric, and rib color. Specifications: Each Somfy controller can handle 60 watts of output. The lighting strips draw 1.6 watts per lineal foot of lighting. One receiver / controller will draw approximately 0.5 amps at full load (40 ft of light at full power). Sunair LED's are 3200 Kelvins and available in white or black backing to match the frame.

UNDERCOVERS WALL MOUNTED PERGOLA® AWNINGS



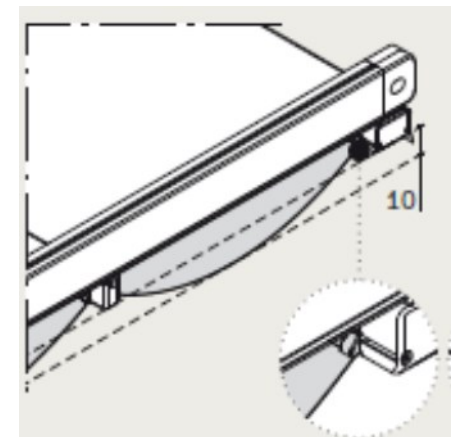
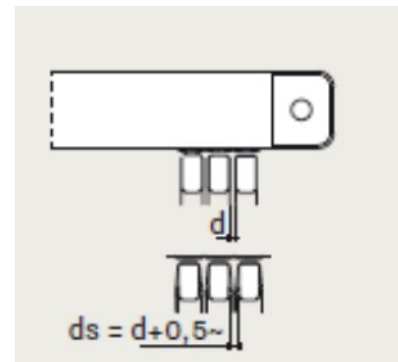
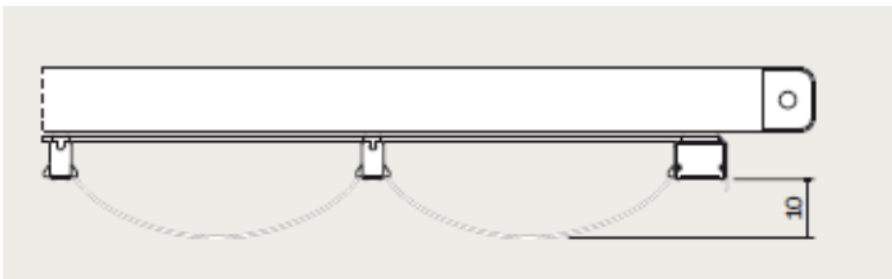
To create a nice atmospheres with wall Pergola® Awnings , it is possible to apply an "Undercover" installed under the ribs. Please note fabric will hang lower than top Vinyl cover. This undercover will be slightly narrower than the top cover by at least 4" / 10 cm per side to prevent water from going up along the PVC flap and wet the fabric of the under cover (Solid 60" fabric colors only).

AVAILABLE FABRICS:

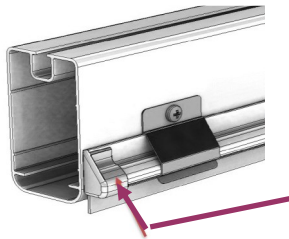
Standard: Sunbrella 60" solid colors.

Optional:

Fire retardant Sunbrella & Tempotest STAR 60" solid colors from range.

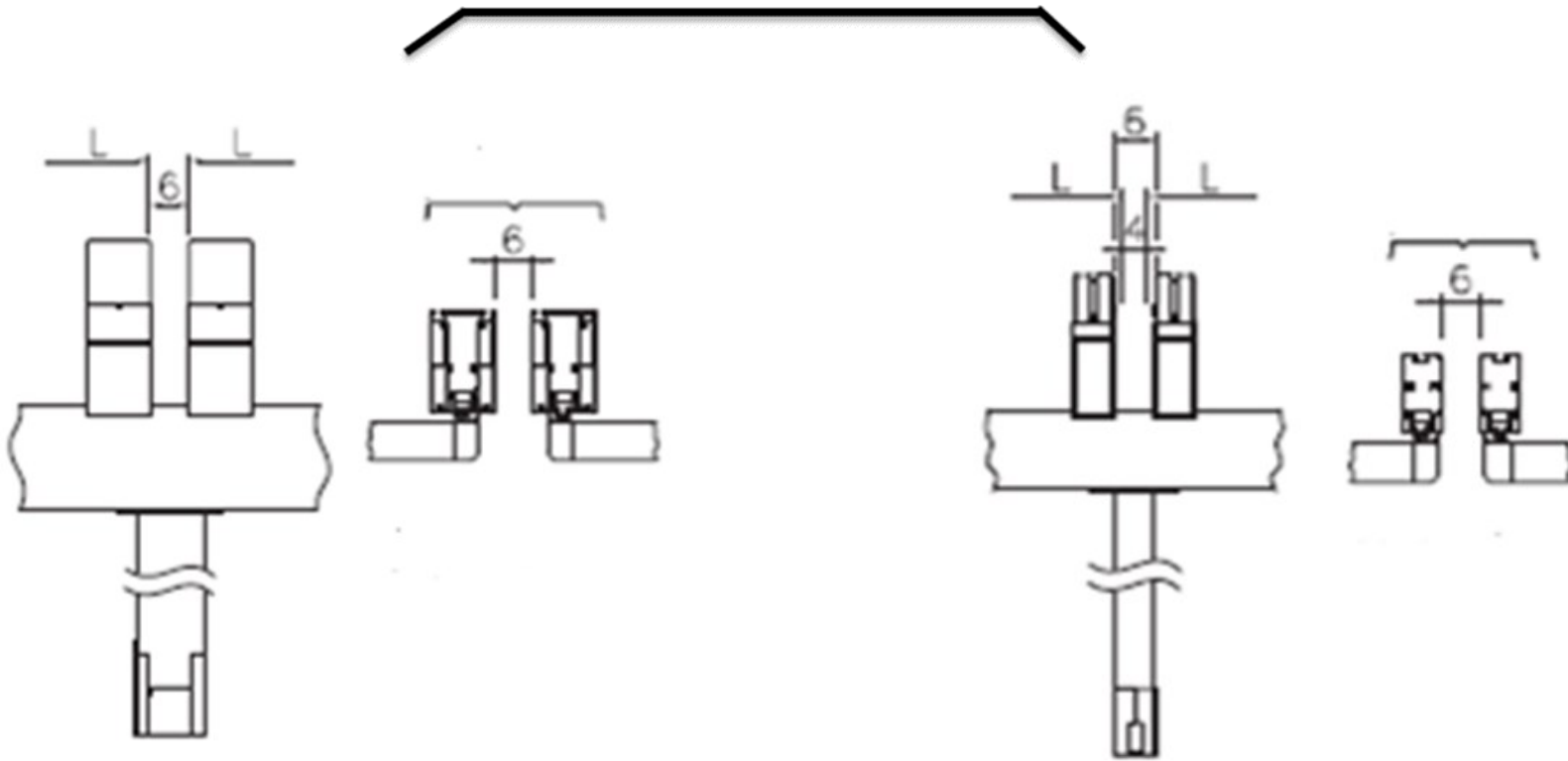


Please note rib spacing will increase 6mm / 5/16" between each fold in the fabric.



Note: Undercovers are installed with a "clip" system.

CAP BETWEEN WALL MOUNTED SYSTEMS



MITO & TECNIC ONE

30.5 cm / 12" wide weather cap.

Deduct 6 cm between guide rails. ie a three (3) cm deduction off each unit at split in center.

LEVEL / TECNIC

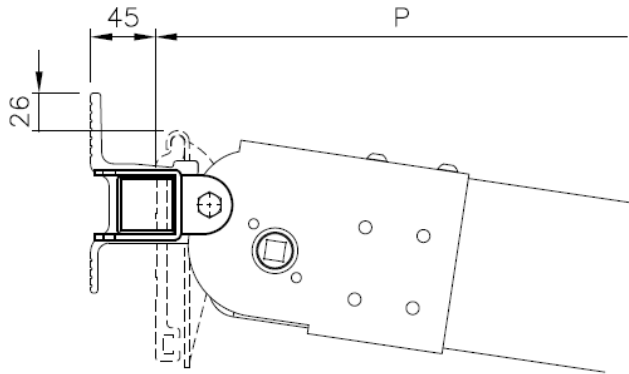
25 cm / 10" wide weather cap.

Deduct 6cm between guide rails / 4cm between L widths. ie a two (2) cm deduction off each units L dimension at split in center.

NOTE:

Caps available in 10ft / 3m sections. Powder coated to match the Pergola frame color.

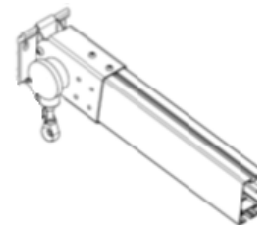
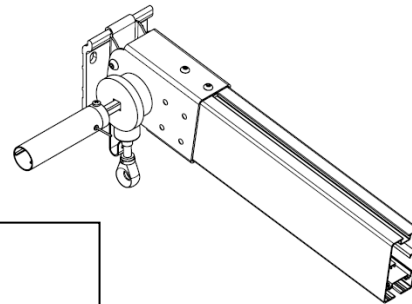
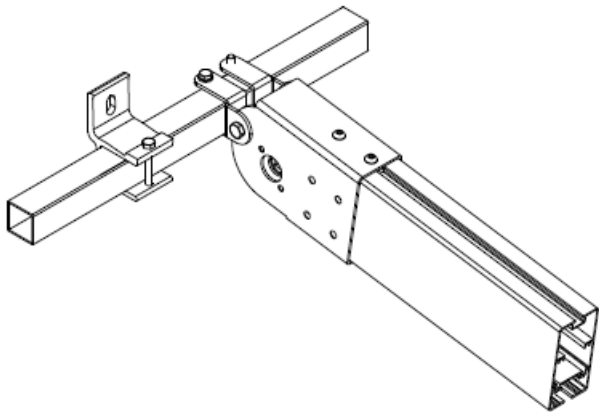
Calculate number of sections needed to cover the entire guide / projection to the gutter.



MOUNTING ON SUPPORT TUBE

Wall mounting the Level awning is possible using standard wall brackets and the 40 mm x 40 mm support tube. This support tube is the same as is commonly used for lateral arm awnings, using the same bracket system. The wall brackets can be positioned along the support tube to align with the wood or steel studs in the wall. **Please inquire about additional cost for this upgrade.**

Note: This option is NOT available with very larger sized units. Please inquire with office.



MANUAL UNITS GEAR MECHANISM

(Some models)

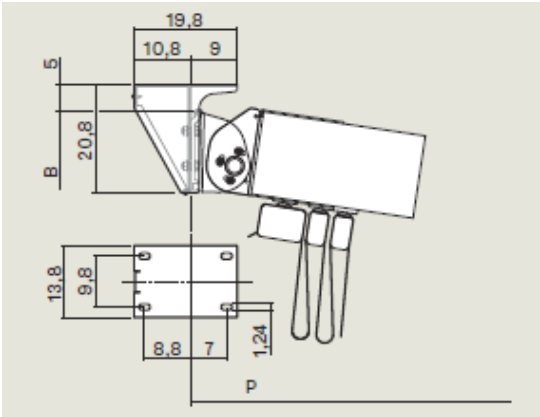
Only small **TYPE 1** units may be manually operated up to a certain size (see below) Max size for any manual unit is 268 sq. ft. or 25 sq. mtr. Manual gear can be installed in two ways inside or outside the guide (please inquire with Sunair).

Note: Nomo, Rialto, Opera and Vision not available with manual operation.

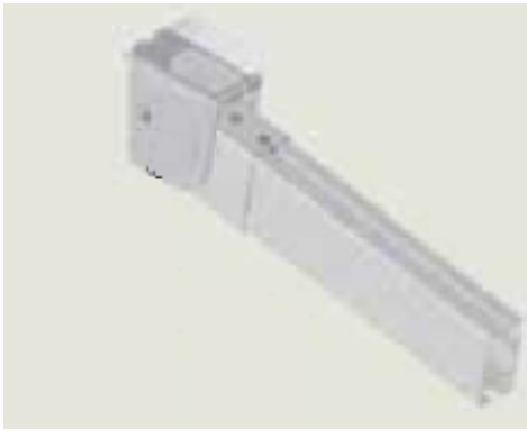
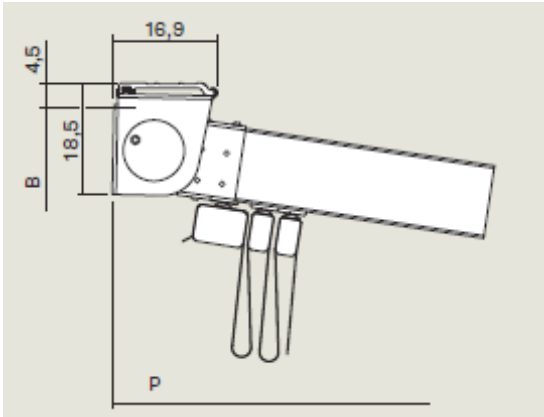


CEILING MOUNTING Optional:

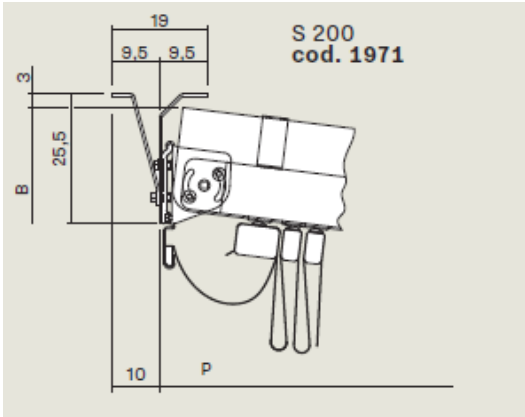
MITO, EVO, STIL, INFINITY



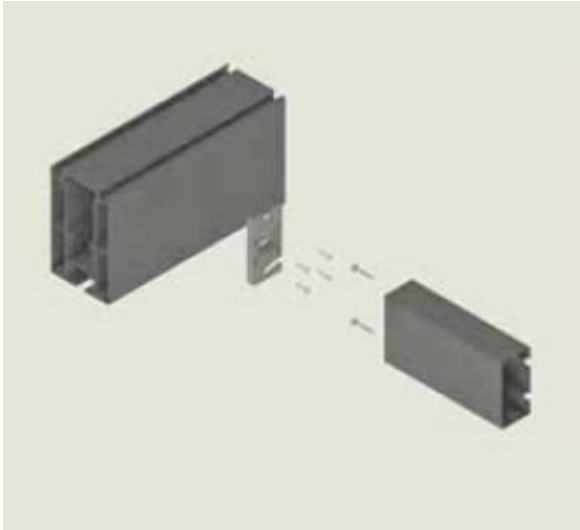
LEVEL



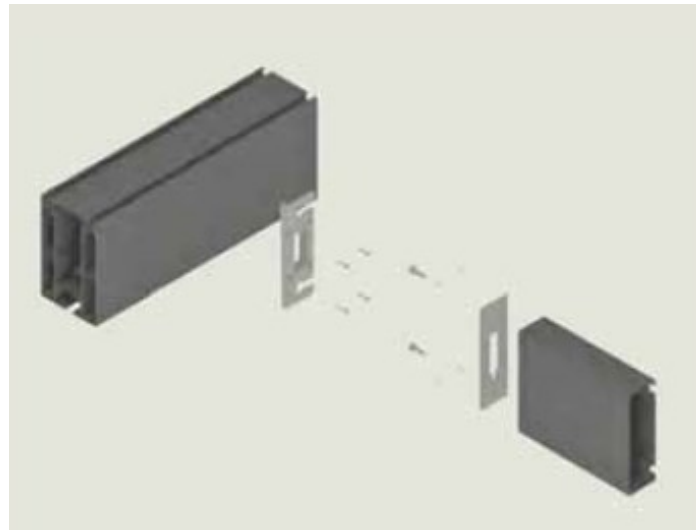
WOOD PLUS



EASY FAST Optional:



11 mm kit 5 x 10

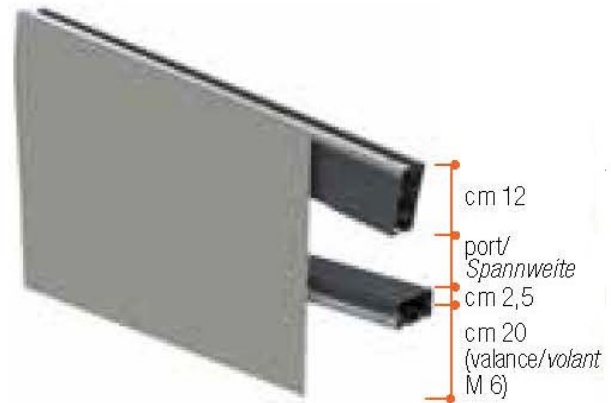
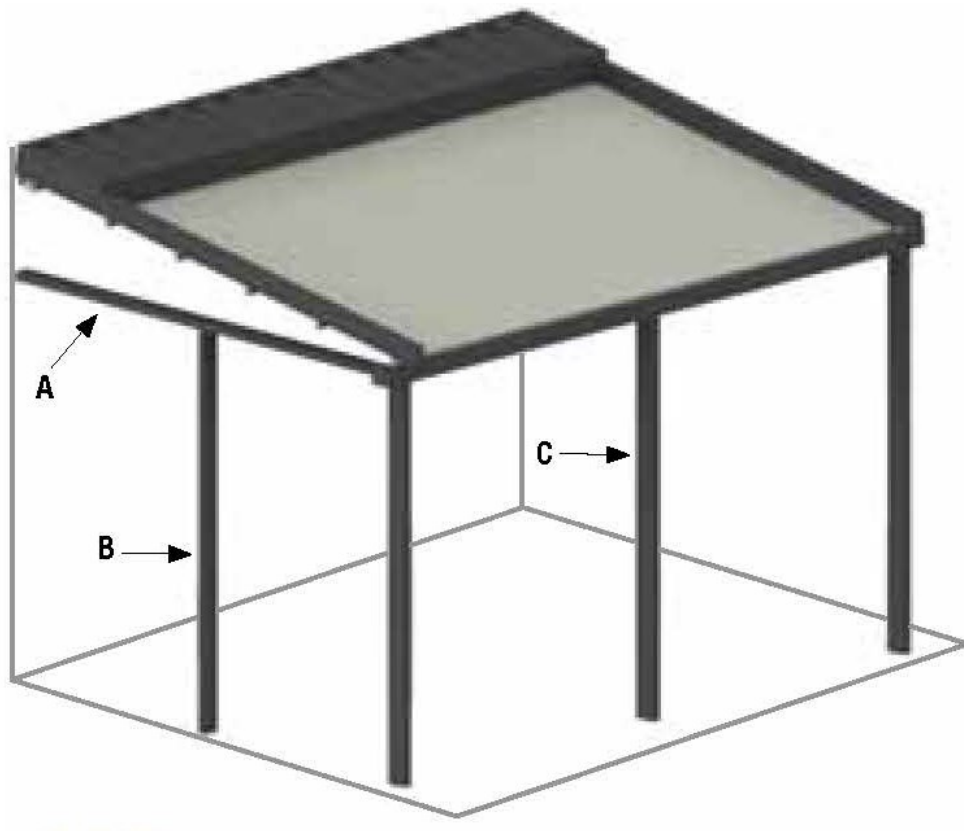


15 mm kit 5 x 16

***The EASY FAST is an optional alternative way to mount the motor or hood crossbar.
It is also an easier way to add an additional cross bar later if needed.***

SIDE STRUCTURES & POSTS

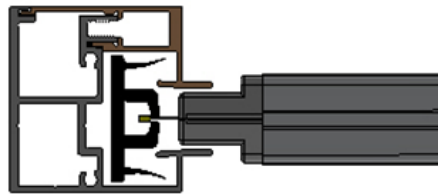
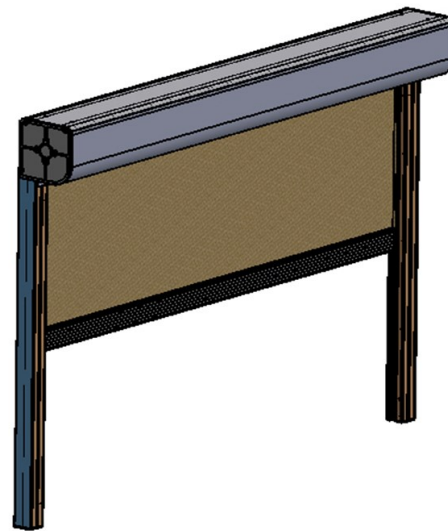
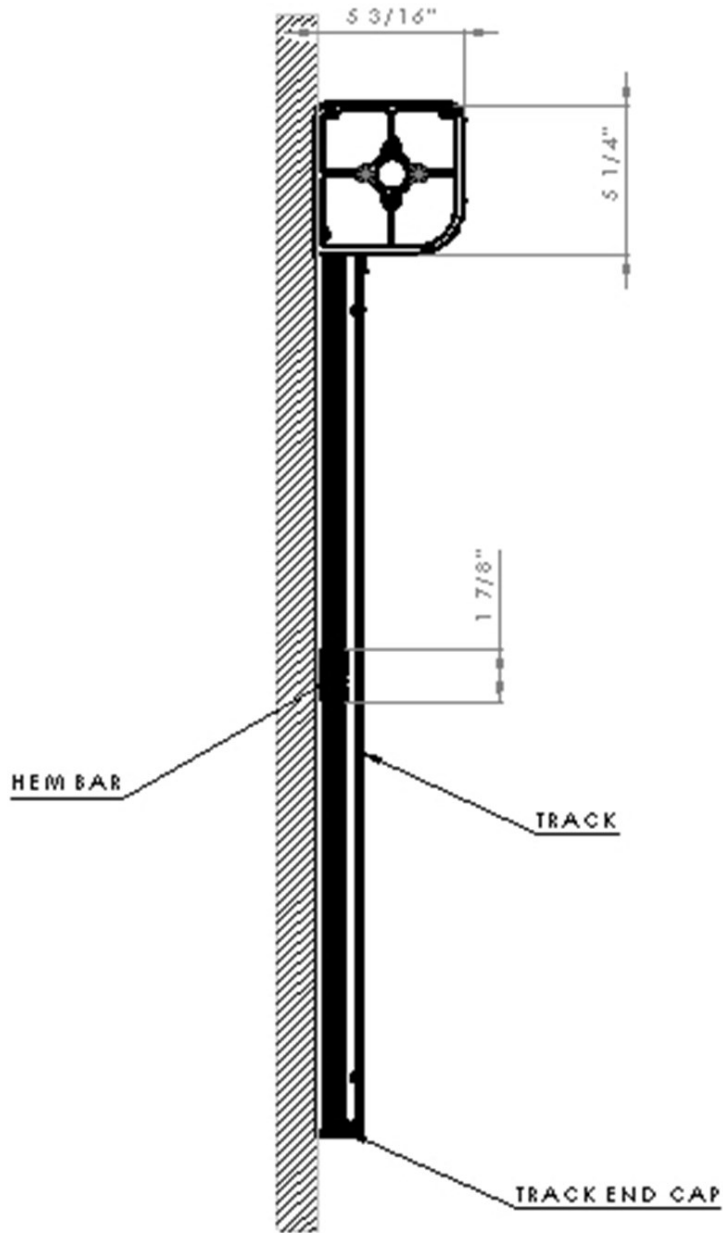
Add vertical and horizontal support beams and posts when adding rolling screens and side panels.



POSTS B & C: Additional side and front posts

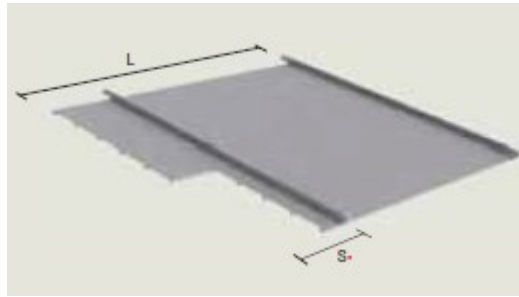
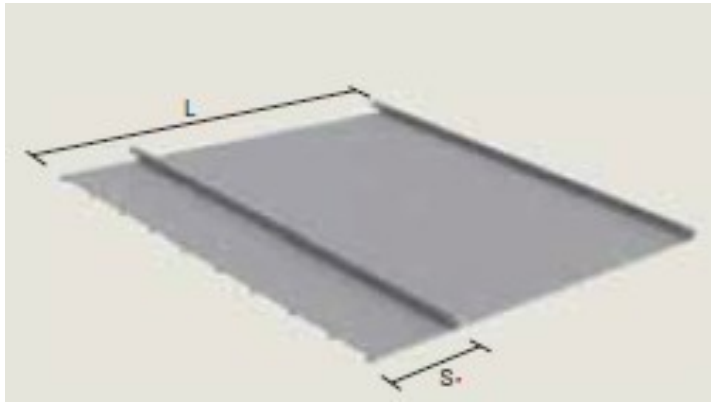
POST A: Horizontal bar used to install screens and fabric end cover.

SIDE SCREN SC4500 ZIPPER SCREENS

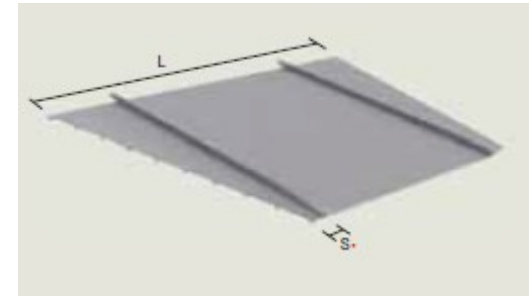


For further information please see the awning and screen manual and SV4500 Zipper screen technical manual.

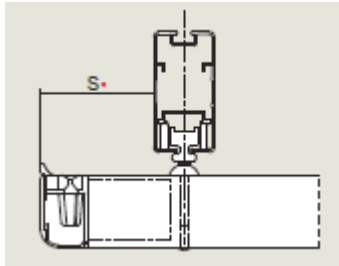
Specialty shaped covers (Other Options)



Overhang with gaps B:



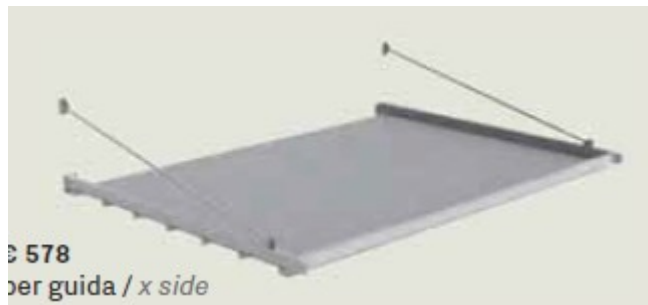
Triangular Overhang C:



Side Overhang A:

Minimum 10 cm
Maximum 100 cm

- Recessed guides & Fabric rib overhangs



NOTE:
You must add an additional
MOTOR BAR to the Pergola
\$\$ cost at front to stabilize
when using Tie Rods.

*With Tie rods max projection is 5m or 16'
5" projection. Must be bolted to structural
wall



*Rib alignment in case two systems mounted
next to each other with different projections .

* Note: Engineering and availability may change without notice

*Tri-
angular side Not available with

Optional: Structures to mount free standing

IF YOU WANT TO TAKE A TYPICAL “WALL MOUNTED” PERGOLA STRUCTURE AND MAKE IT FREE STANDING THERE ARE TWO OPTIONS BELOW. HOWEVER IT IS BEST TO USE THE NOMO, RIALTO, PHOENIX AND ZEN, WHICH ARE FREE STANDING MODELS WE OFFER.

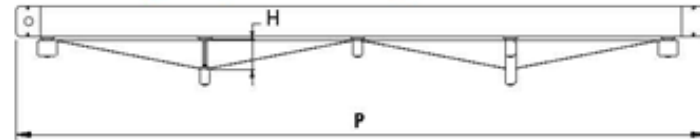


“V” Cover water Drainage to Sides

FABRIC WATER DRAINAGE OPTIONS “D” “V” Alternating



OPTION D

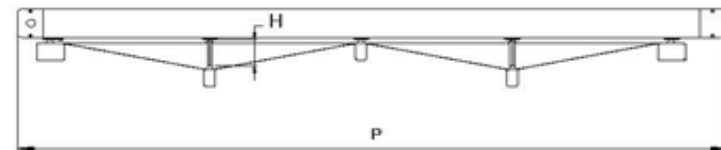


OPTION D: “V” Cut alternating panels for Type 1 Pergola® only. Max width is 5 meters x 9 m projection

FABRIC WATER DRAINAGE OPTIONS “E” “V” Cut Side



OPTION E

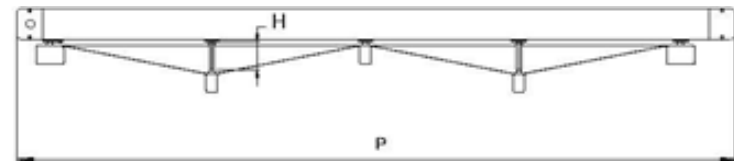


OPTION D: “V” Cut to one side only. For Type 1 Pergola® only. Max width 5 meter x 9 m projection.

FABRIC WATER DRAINAGE OPTIONS “F” “V” Cut Type 2

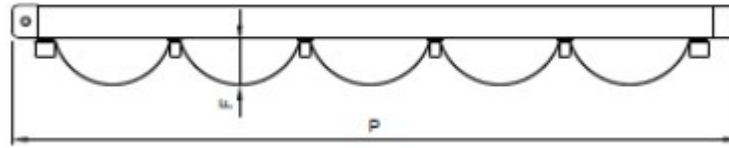


OPTION F



OPTION F: “V” Cut to both sides. For Type 2 Pergolas only. Max width 7 meters x 9 m projection

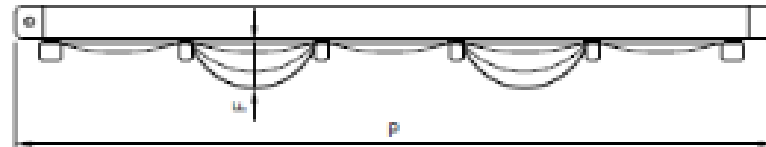
SLACK FABRIC "A" OPTION FOR SUN PROTECTION ONLY



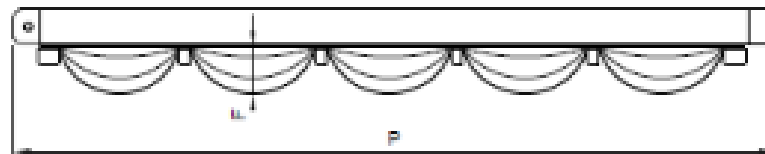
You can also choose slack fabric option "A" on each panel. This option is for sun protection only and will not offer any water drainage. Acrylic fabric is available with this option.

Loose Cover with water Drainage to Sides

OPTION B & C



OPTION B: Alternating panel slack on both



OPTION C: Panels slack on one side only

Solaira[®]

COSY
SERIES



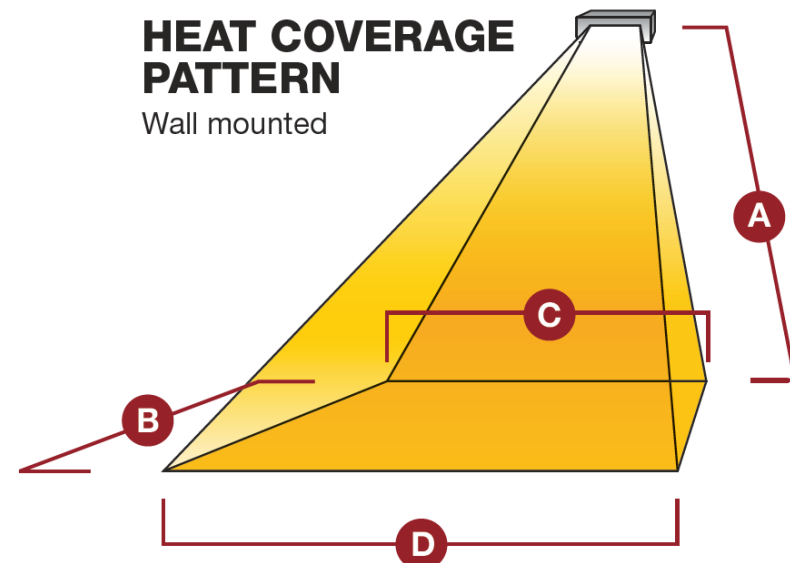
HEATERS COSY SERIES 1500 AW Sleek, Low clearance, infrared

Sunair[®] awnings do not specify any particular brand of heaters but we do offer the Solaira brand as a convenience and as “supply” only. As supply only all warranty is per the Manufacturer (Solaira). Please see separate manufacturers installation, use, servicing and warranty documents. Mounting and wiring the heaters on the Pergola units is not included and will be the responsibility of the dealer / customer in the field during installation. Check your local codes for correct wiring instructions. All heaters should be installed by a certified electrician to local state electrical codes. See separate manufacturer’s data sheet and wiring instructions. If you purchase your own heaters, make sure that the heater brand and model you chose can be installed within the pergola unit to code. Aluminum Brackets to install the heaters on the awning are sold separately. Note: Sunair[®] awnings can only make suggestions but will not be responsible or warranty the performance and the effectiveness of the heaters. Check with the manufacturer of the heaters for the recommended number of heaters for your application and best installation position of the heater for best results.

Con’t next page

Solaria Heaters con't

Note: Specifier / Customer must contact Solaira directly for recommended heater number and location.



HEAT COVERAGE EXAMPLES

Model	A	B	C	D	Heat Zone*	Heat Density*
SCOSYAW15120 B/W	6'7"	8'	8'	10'	70 SQ FT	18 WATTS/SQ. FT
SCOSYAW15240 B/W	6'7"	8'	8'	10'	70 SQ FT	18 WATTS/SQ. FT

* Heat Zone and actual heat density will vary based on mounting height and angle of heater (Overhead mounted heat zones will be different then this guide). Please use this as a guideline only and contact Solaira for a more detailed specifier guide.

* Heat Zone and actual heat density will vary based on mounting height and angle of heater (Overhead mounted zones will be different than this guide). Please use this as a guideline only and contact Solaira for a more detailed specifier guide.

Con't next page

Solaria COZY Series Heaters con't

240 VOLT: 1.5Kw 208 - 240 V

Heater Model Black # SCOSYAW15240B Ral:9005

Heater Model White # SCOSYAW15240W Ral:9010

Controller #SPASCR90

One controller will operate up to 12 heaters

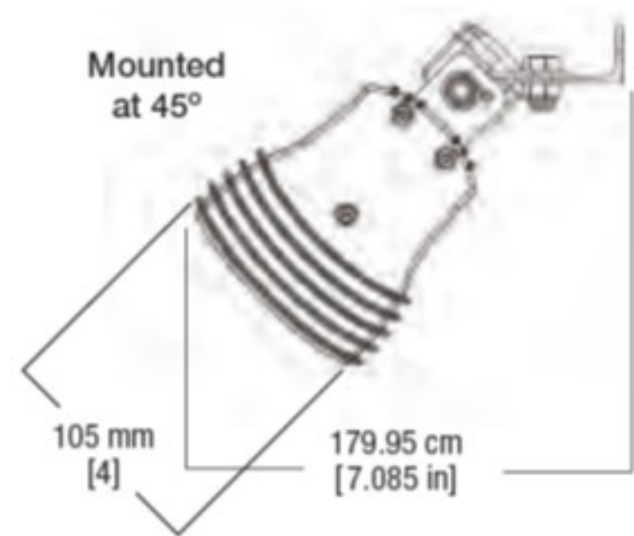
110 VOLT: 1.5Kw 120V

Heater Model Black # SCOSYAW15120B Ral: 9005

Heater Model White # SCOSYAW15120W Ral:9010

Controller #SPASCR90

One controller will operate up to 7 heaters



NOTE:

Maximum 7 ea. 110 volt heaters can be used per controller.

Maximum 12 ea. 240 volt heaters can be used per controller.



aura™

INFRARED PATIO HEATER

ADVANCED LOW-LIGHT,
LOW-GLARE CARBON FIBER
EMITTER TECHNOLOGY



IP65 rated
water resistant

AVAILABLE IN TWO MODELS

CF3000 3000W, 240V

CF1500 1500W, 120V

- Adjustable wall and ceiling mounting brackets included*
- Durable extruded aluminum construction
- Virtually maintenance-free
- Instant heat, warm ambient glow
- Safe and odorless



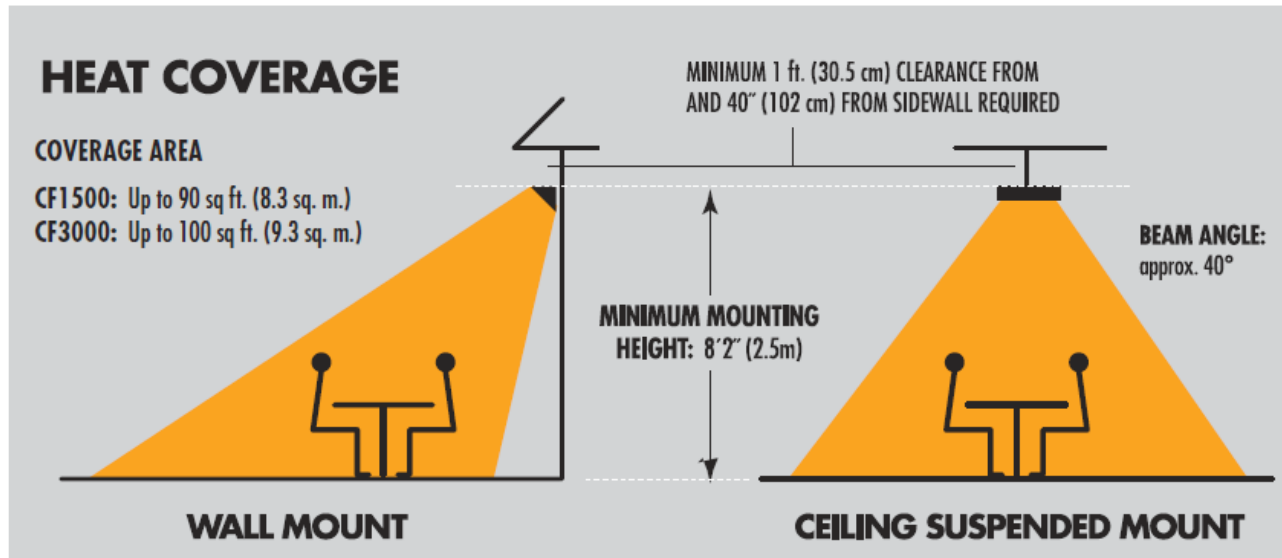
Includes convenient
remote control



Wall and ceiling
brackets included*

AURA CF3000 Carbon 3000W BLACK 208 - 240 VOLT: **Model # CF302408**

AURA CF1500 Carbon 1500W BLACK 120 VOLT: **Model # CF151208**



Note:

Specifier / Customer must contact Solaira directly for recommended heater number and location.

CARBON FIBER EMITTER

Aura Carbon Fiber emitter lamps are manufactured with extremely strong and lightweight woven carbon fibers. When energized, the carbon fiber produces a soft, ultra-fast warming medium/short wave infrared, radiant heat.

*Heat Zone and actual heat density will vary based on mounting height and angle of heater (Overhead mounted zones will be different than this guide). Please use this as a guideline only and contact Solaira for a more detailed specifier guide.

REMOTE CONTROL



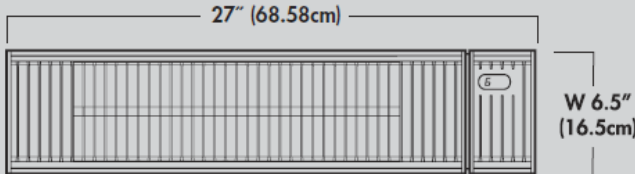
RANGE: UP TO 19.5 ft. (6 m)
INCLUDES ON/OFF BUTTONS WITH 6 HEAT SETTINGS:
33% - 50% - 66%
80% - 88% - 100%



REQUIRES 2x AAA,
 1, 5V NOT INCLUDED

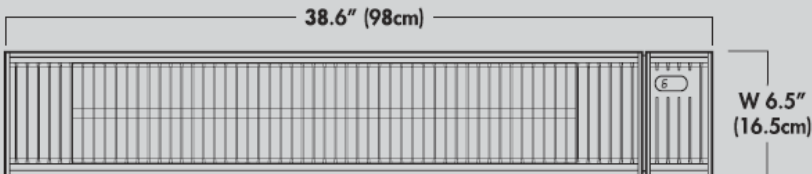
CF1500

WEIGHT: 10lbs (4.5kgs)



CF3000

WEIGHT: 14.3 lbs. (6.5 kg)



RoHS
 COMPLIANT

IP65
 DUST, RAIN, WATER-JET PROOF
 ÉTANÇHE À LA POUSSIERE, À LA PLUIE ET AUX JETS D'EAU
 POLVO, LLUVIA, PRUEBA DE AGUA-JET

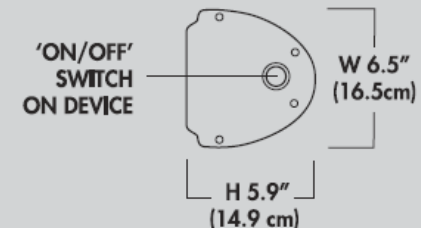
* affixing hardware (screws/bolts/wall anchors not included and to be supplied by installer to suit application)

The AURA heaters is a more economical heater that simply plugs in to an outlet (110 volt version). This heater does not require a control box. The remote control is included in the price. Simply aim the remote towards the heater and you can custom set the heat from 1 - 6 on heat scale.

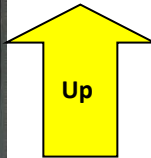
SPECIFICATIONS

EXTRUDED ALUMINUM CONSTRUCTION

INCLUDES: CEILING AND WALL MOUNT BRACKETS*, REMOTE CONTROL, 12 ft. (4.87 m) OF cETLus APPROVED, OUTDOOR RATED CABLE

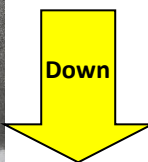


UP & DOWN Glass Walls Options



The Up & Down model is made up of two sections, one stationary and one mobile. A simple key is used to lock and release the module. To raise, release window with the key and the spring load- ed module will slowly rise on its own.

Standard and custom widths available.

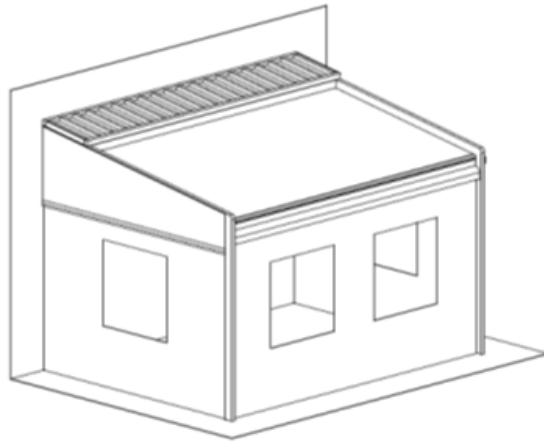


The Up and Down model of our glass window dividers can be customized to match your color scheme or even display your logo! The base aluminum colors are White and Iron Grey colors. Virtually any color and design graphic motifs can be added to the glass to showcase your restaurant's unique style. Other models are also available.



NOTES:

Note: Sunair® reserves the right to change engineering, specifications and prices without notice. Images and Illustrations in the catalog may vary from digital and printed manuals. Sunair® is not responsible for printed inaccuracies in this manual.



SUNPROOFING AMERICA!



MARYLAND LOCATION

Mailing: P.O. Box 1068
Shipping: 7785 Rt. 175
Jessup, MD 20794

Toll Free 800 - 548 - 0408
Phone: 410 - 799 - 1145
Fax: 410 - 799 - 5584

ARIZONA LOCATION

Mailing: Same as Jessup
Shipping: 3807 West Thomas Rd.
Phoenix, AZ 85017

Toll Free 877 - 272 - 3920
Phone: 602 - 272 - 3920
Fax: 602 - 272 - 3925

www.sunairawnings.com

info@sunairawnings.com