


SC4000 STANDARD CABLE & MAGNETIC LOCK MASTERSHADE®



The SC4000 Mastershade® is an exterior rolling screen available with standard cable guides or with the optional magnetic lock and cable guide system. A specially designed horizontal weighted hem bar is used for each version. With the added optional magnetic lock device attached at each end, the magnetic base brackets keeping the entire fabric taut when the screen is lowered. The SC4000 utilizes a fully extruded aluminum cassette which is approximately 5 1/4" high x 5 3/16" deep.

Screen Style	Type	Standard Frame Colors	Standard Widths	Standard heights	Recommend Application	Recommend Fabrics to Use
	SC4000 Vertical rolling Screen	White, Desert Ivory, Mocha, Black, Bronze, Brown, Grey, Taupe, Forest Green	3' through 20' wide Depending on height & fabric And type	4' through 14' high Depending on width & fabric & Type	Residential Commercial Windows, Porches	Ferrari Soltis 86 & Soltis 92 Para, Sunbrella, Dickson,

Note: Max width using magnetic locks is 16 ft. and max height will depend

OPERATION:

Standard with the SC4000 is an exterior 8:1 ratio gear/crank set. An interior 8:1 gear / crank set is also available. Also available with the SC4000 is a convenient Somfy push-button motor. When motorizing multiple units, we recommend using the RTS remote Altus motors. Use either a Telis1, or Telis 4, or Deco flex control switch. Multiple units can be wired together on the same connection.

Note: CMO manual override motors are not available

CABLE GUIDES: The SC4000 is available with the standard cable and cable bracket, or with our exclusive magnetic lock devices and round hem bar

RECOMMENDED FABRICS:

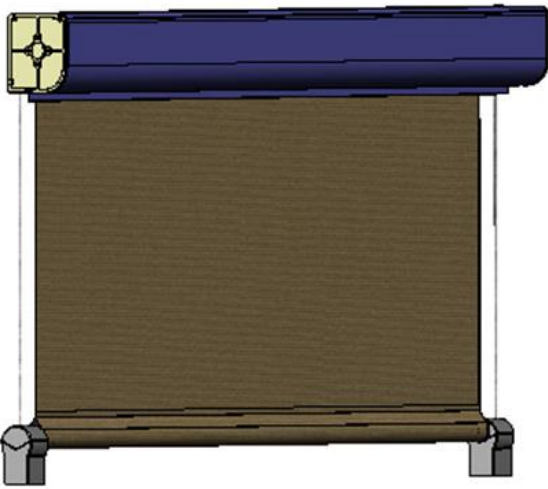
Soltis 86 (14% open), is best if solar control is needed along with visibility.

Soltis 92 is also available

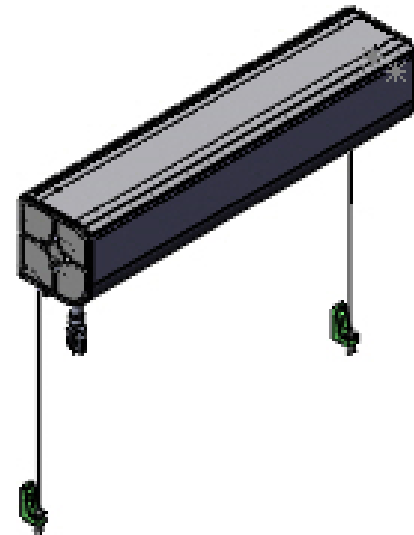
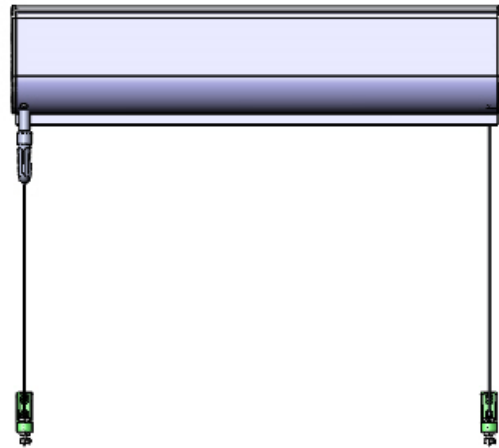
Para, Sunbrella and Dickson acrylic fabrics

(See separate price categories for each mesh and fabric type).

Box with magnetic locks installed



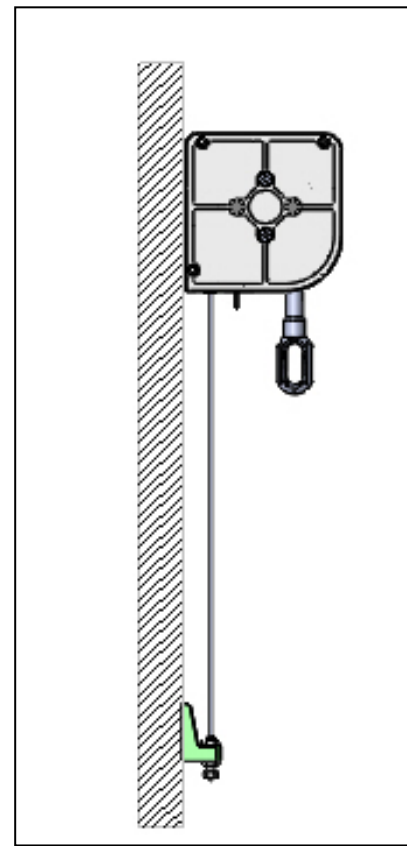
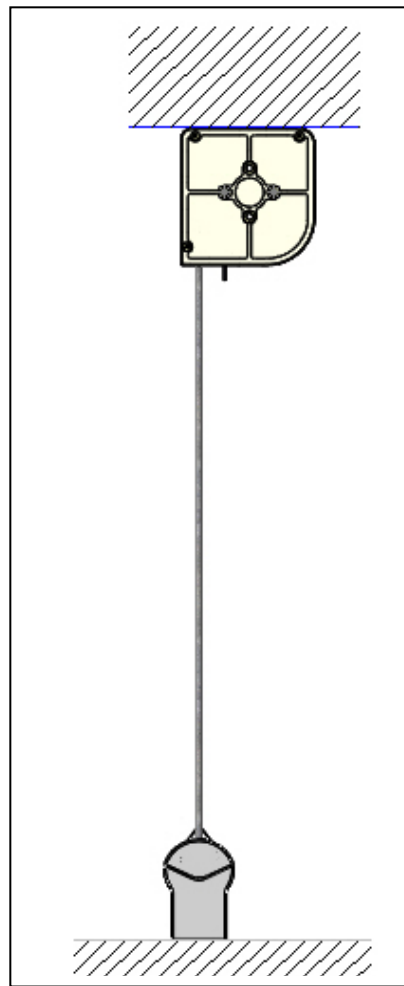
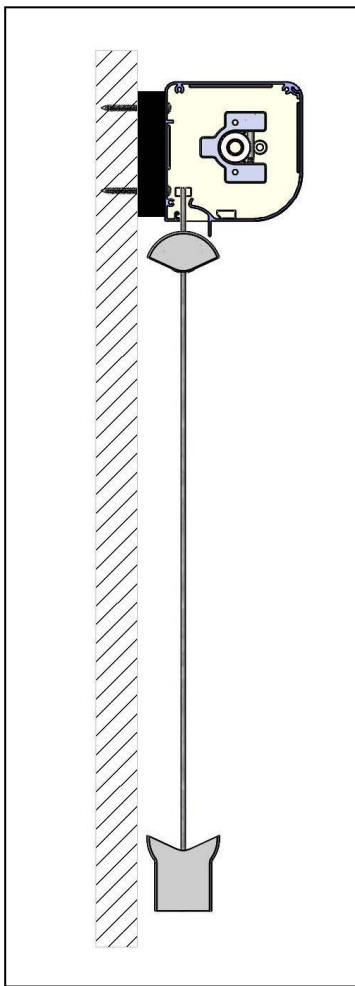
Box with standard cables installed



The optional magnetic locks below keeps the screen fabric taut when the screen is in its lowered position. If a wind gust lifts the hem bar, the magnetic lock will release the screen fabric from the pressure and then the magnetic lock will automatically reposition the hem bar back into the lock.*



* Note: The magnetic device does not guarantee that strong winds will not damage the unit and is not a substitution for using caution.



Wall mounted screens with standard cable brackets.

Wall mounted unit with retracted hem bar & magnetic locks

Ceiling mounted unit & magnetic lock and hem bar lowered.



**Retracted SC4000 screen
With optional magnetic locks**

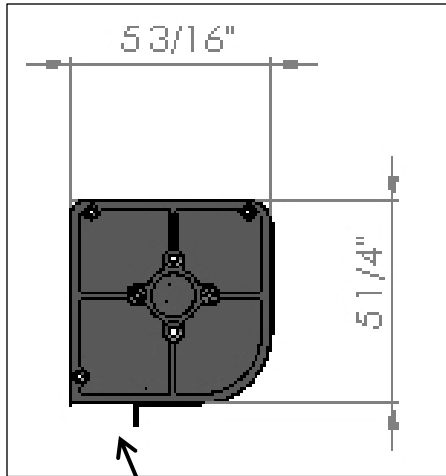


**AWNINGS UNLIMITED INC.
P.O. Box 1068
7785 Rt. 175
Jessup, MD 20794**

©2016 Awnings Unlimited Inc.

SC4000 CABLE & MAGNETIC LOCK SCREEN

MEASURING



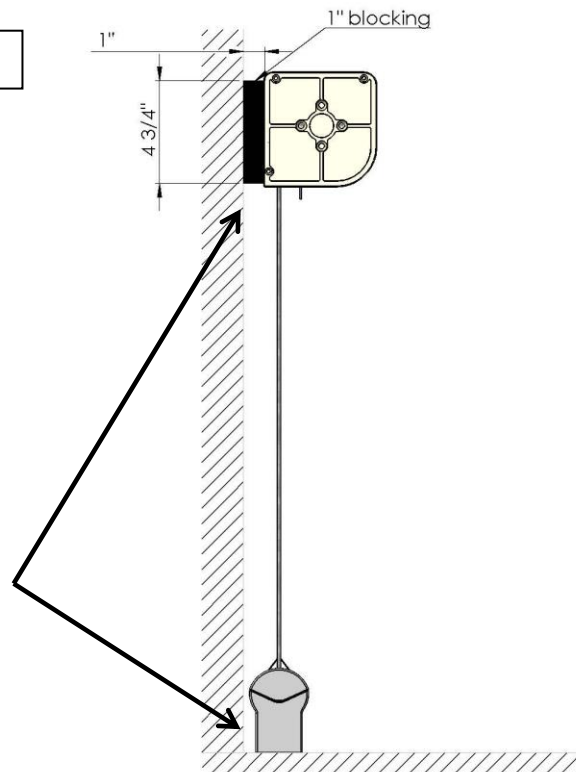
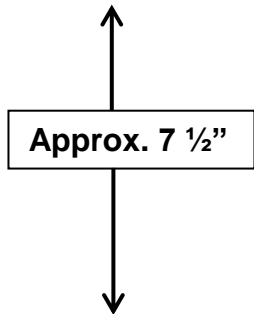
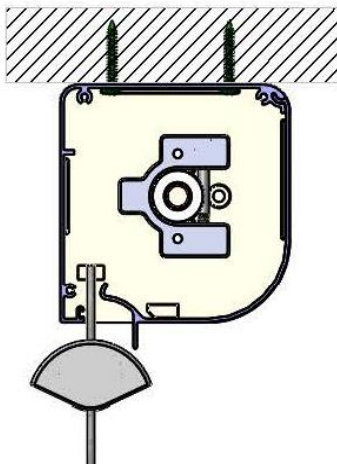
Add approx. $2\ 1/2$ " more for the Hem bar assembly and magnetic lock to height of screen

The SC4000 is offered both in a standard cabled version and with an optional Magnetic lock cable system.

Width: Determine the desired width. The width you order is the measurement end of cassette to end of cassette. If mounting in front of a window opening, add 3" to the width of the window glass opening on the idler end and 4" on the gear or motor end, to properly cover the opening or glass area with fabric.

Height: Determine the height of the opening or window. The fabric or screen mesh should cover the height of the window. The height of the delivered screen includes the cassette. To calculate the height of the shade, add the height of the cassette ($5\ 1/4$ ") and the magnetic lock height / hem bar (approx. $2\ 1/2$ ") to the total height of opening to be covered if mounted in front of a window. If mounting on an open porch, allow about $7\ 1/2$ " for the cassette assembly when the screen is retracted.

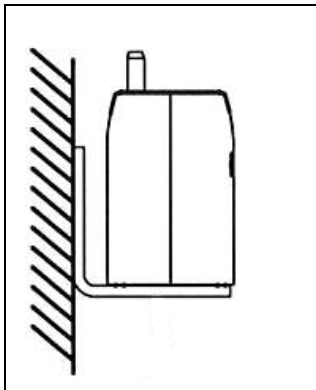
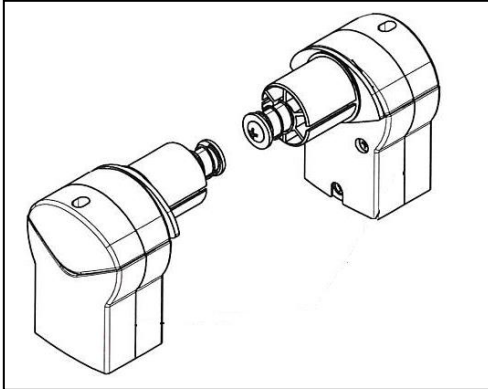
Note: Watch out for casement windows that will interfere with the hem bar when the shade is retracted (In such a case, mount the top of the cassette 7" above the opening window edge). In addition, if the hem bar needs to go above the glass area as not to be seen through the glass when the shade is raised, it is important to add the $7\ 1/2$ " to the opening height as well. The SC4000 can be ordered in any increments in both the width and the height. Any increments above a given foot size are priced at the next largest foot size.



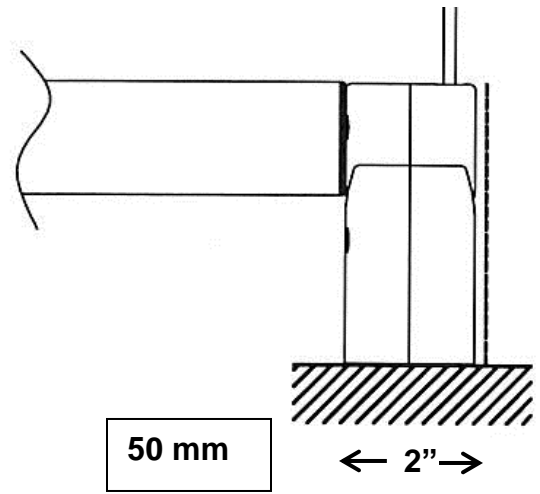
MAGNETIC LOCK VERSION

If you are mounting the cassette on the wall, you may need to add a 1" blocking in the back so that the magnetic lock will clear the wall at the bottom.

Magnetic lock cont...

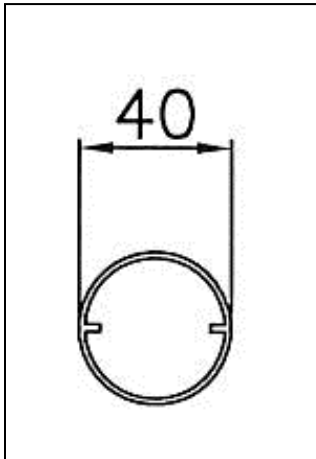
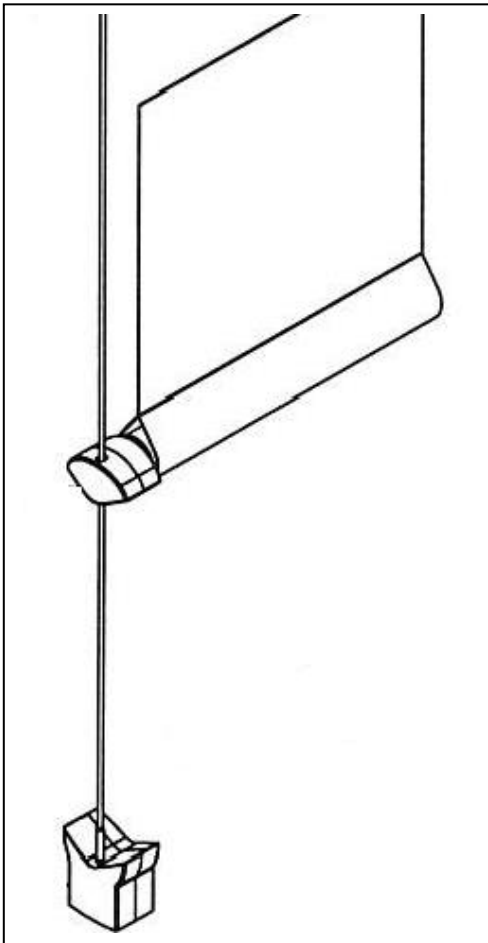


**Optional wall
Mounting "L"
bracket for
magnetic lock
at bottom**

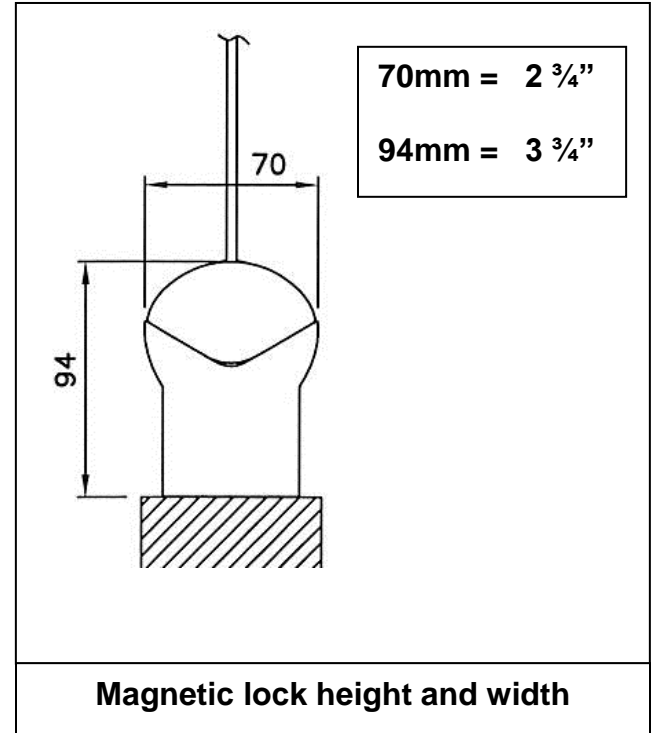


50 mm

← 2" →



**HEM BAR
40mm (1 1/2")**



70mm = 2 3/4"

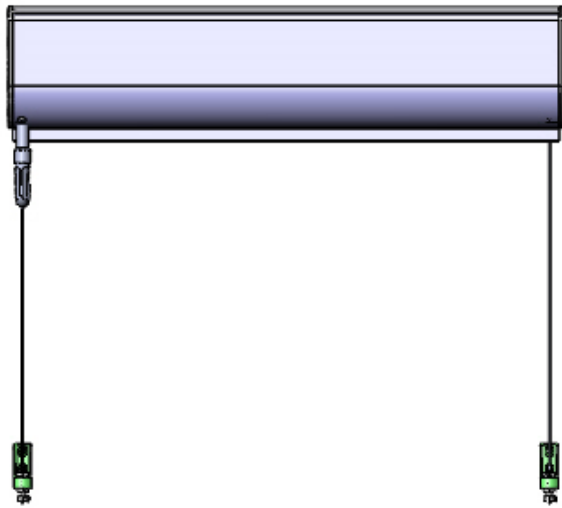
94mm = 3 3/4"

Magnetic lock height and width

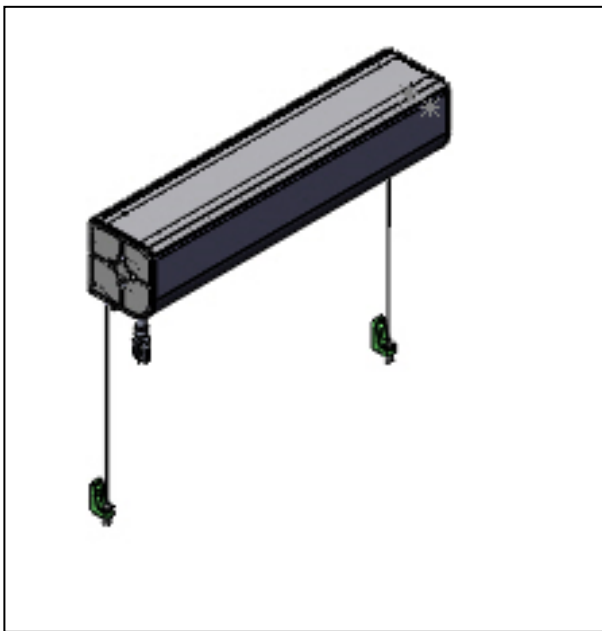
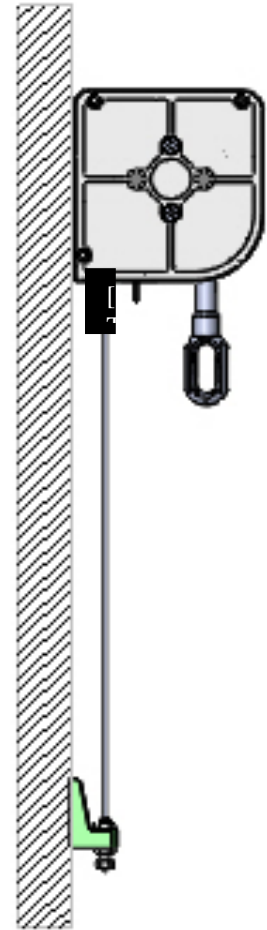
STANDARD CABLE VERSION

The SC4000 version with standard cables and cable brackets have the same cassette and hem bar dimensions of 7 1/2" high as the magnetic screen above. Measuring for this screen is the same. The difference is the standard cable brackets can only be mounted on the wall (Mounting to floor not available). And, the cable brackets are lighter duty. These are the same cable brackets as are used with the SC2000 & SC3000 models.

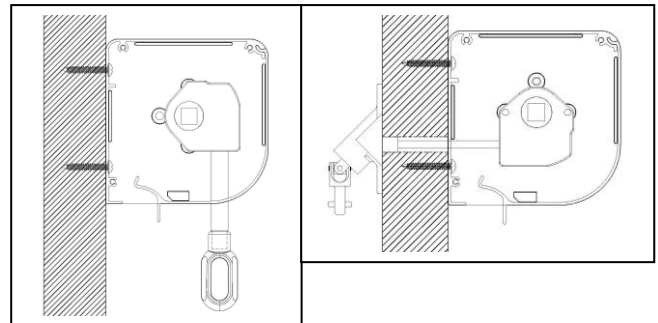
STANDARD CABLE CONTINUED



↑
Approx. 7 1/2"
↓



Standard exterior and optional interior manual gear mechanism.



GEAR or MOTOR:

The gear or motor can be located on either left or right end of the cassette.

Both through the wall Interior gear kit and an exterior gear kit is available.

If motorized make sure you calculate the correct exit position of the motor cord.



SUNAIR® AWNINGS & SCREENS
©2016 AWNINGS UNLIMITED INC.
P.O. Box 1068 7785 Rt. 175,
Jessup, MD 20794

JESSUP, MD 800 - 548 - 0408
PHOENIX, AZ 877 - 272 - 3920