


SC2000 MASTERSHADE® Exterior retractable solar screen systems



The SC2000 Mastershade® is an exterior vertical rolling screen system which can be rolled up and down as needed. The fabric runs inside vertical guide Tracks or Cable Guides by means of gravity. When the shade is retracted the fabric is stored in the built-in protective box. A specially designed horizontal weighted Hem bar keeps the fabric taut. The Mastershade® is made of the highest quality extruded aluminum. The SC2000 has a 4" Cassette box.

Screen Style	Type	Standard Frame Colors	Standard Widths	Standard heights	Recommend Application	Recommend Fabrics to Use
	SC2000 Vertical rolling Screen	White, Desert Ivory, Mocha, Brown, Bronze, Grey, Black, Taupe, Forest Green	3' through 14' Wide 24' W/Splits	3' through 12' High Higher W/Splits	Residential Commercial Windows, Porches	Soltis, Mermet, Para, Sunbrella, Dickson,

OPERATION:

Although mounted on the outside, the Mastershade® SC2000 is easy to operate with a standard pull tape either inside or outside the wall. A gear/crank set is optional as is a convenient push-button motor. When motorizing multiple units, we recommend using the RTS remote standard motors. Use either a Telis1 or Telis 4 control switch. Multiple units can be wired together on the same connection. Note: CMO manual override motors are not available

BOX:

The SC2000 is available in either standard box, or Waterfall box.

TRACK:

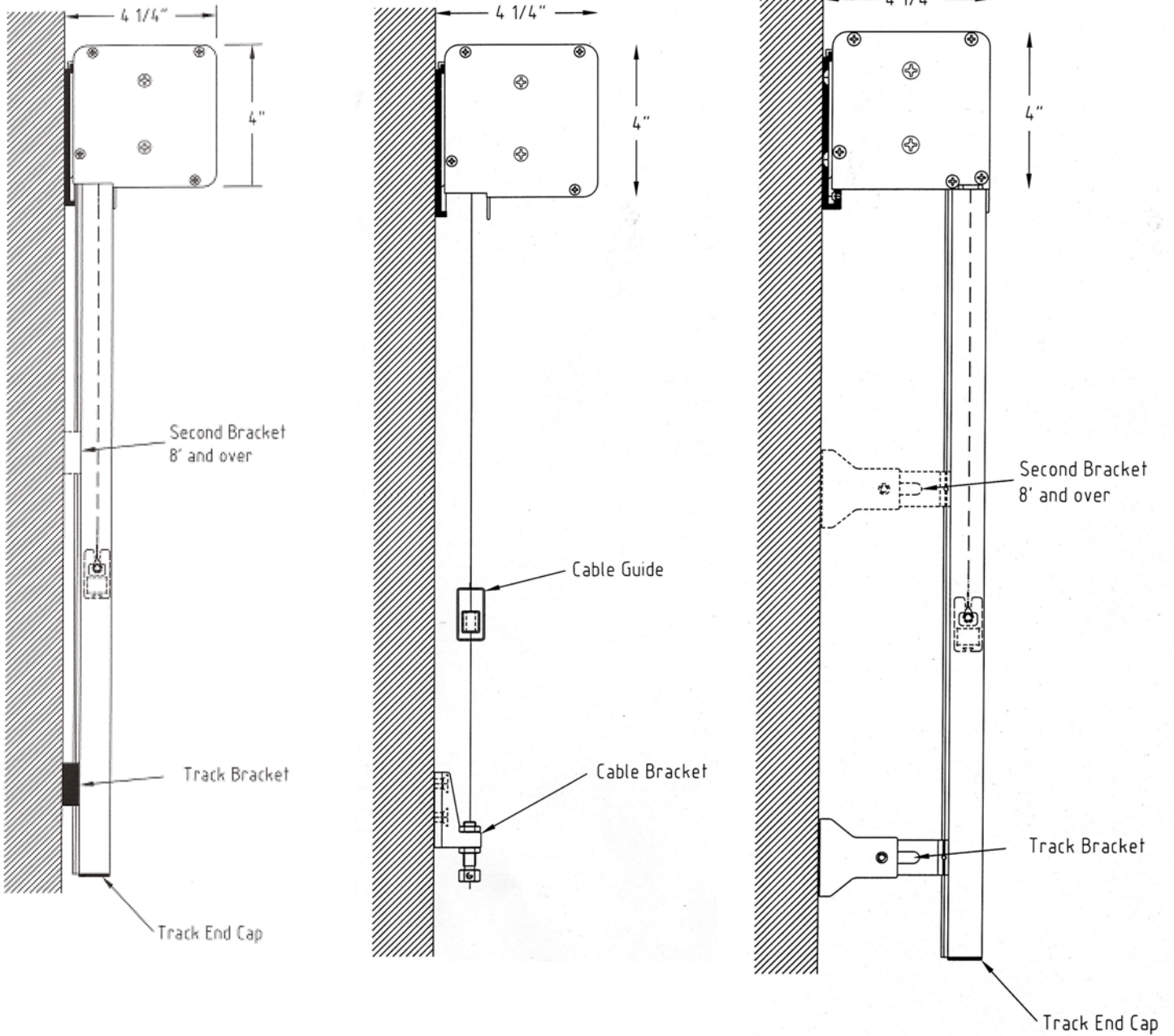
The SC2000 is available with standard track, cable guides, or no track/cable guides.

FABRIC:

Available STOCK mesh fabric patterns are the most popular Soltis 86 (14% open), Mermet Natte 4500 (14% open), and Satine 5500 (6% open). Textiline 95 is also available. Acrylic fabrics such as Para are also available, and in stock (See separate price categories for each mesh and fabric type).

SC2000 Standard Box With Standard Track and cable Guides

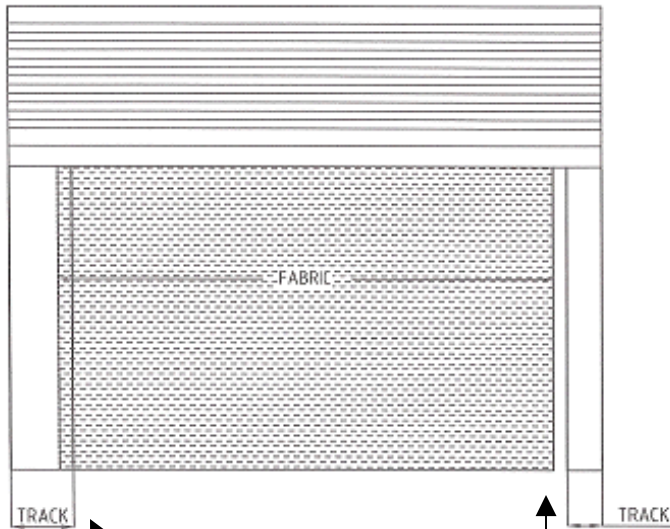
SC2000 Waterfall Box With Standard Track



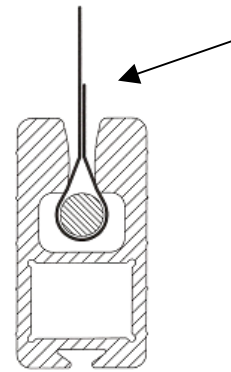
Standard Track



Flange Track



Flange track eliminating fabric gap
SC2000



Hem bar with recessed fabric cavity hiding the seam

Standard track with fabric gap
SC2000



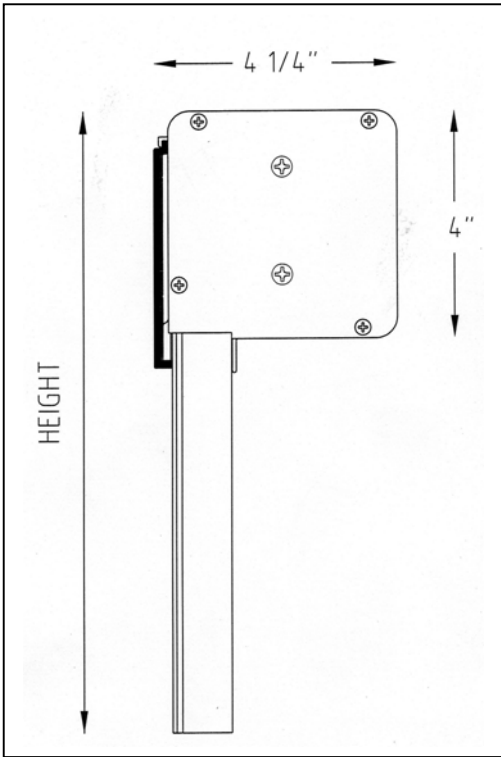
SUNAIR® AWNINGS & SCREENS
 ©2012 AWNINGS UNLIMITED INC.
 P.O. Box 1068 7785 Rt. 175,
 Jessup, MD 20794

JESSUP, MD 800 – 548 – 0408
PHOENIX, AZ 877 – 272 - 3920

Rev. 05/16/2012

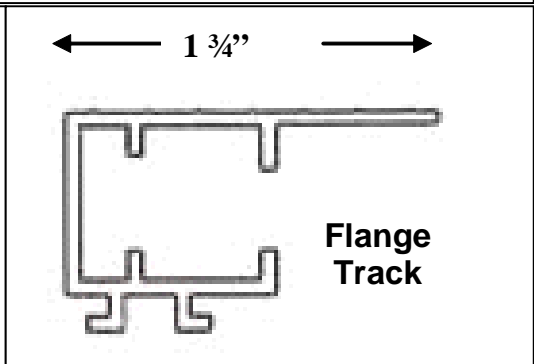
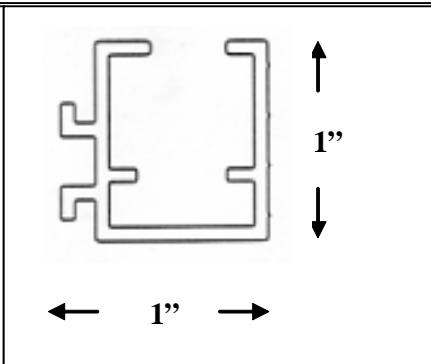
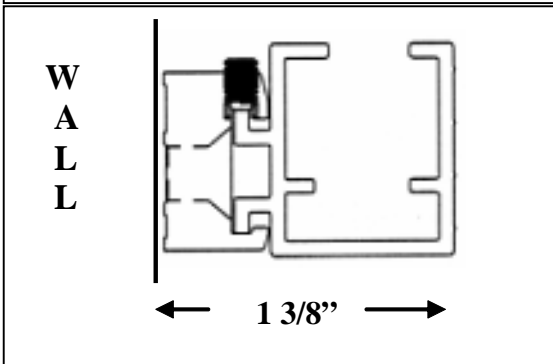
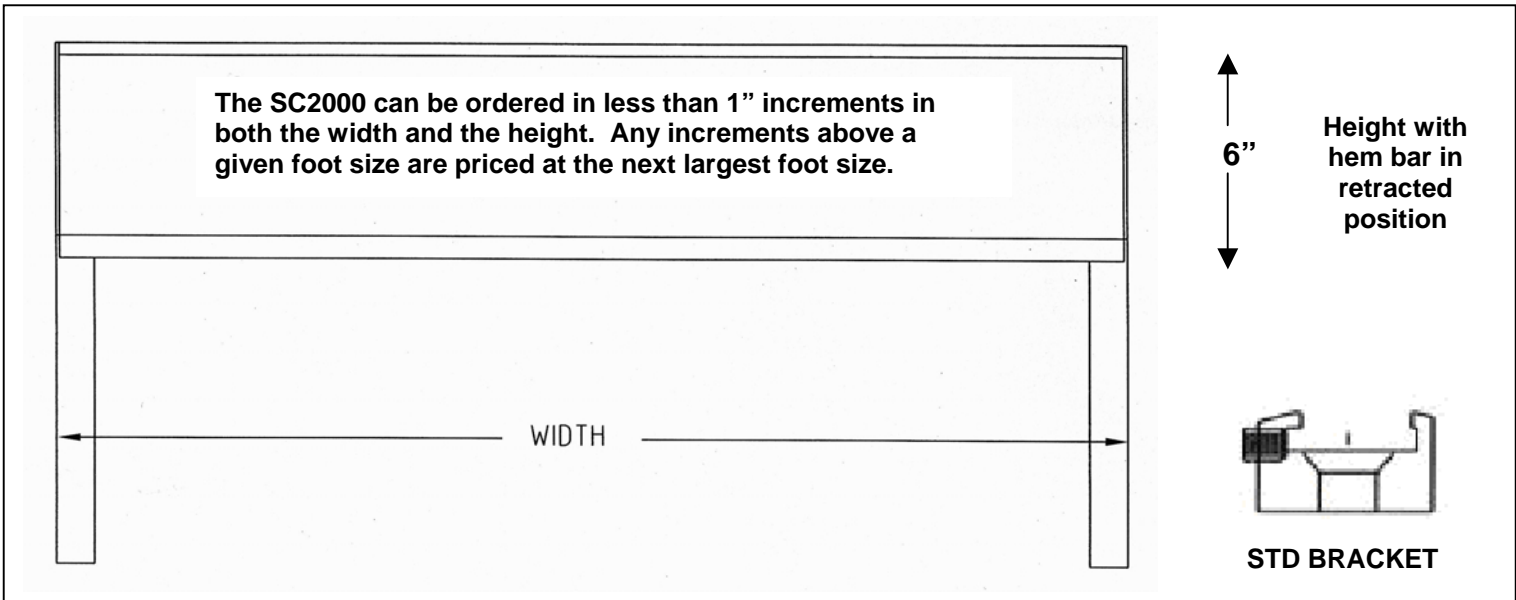
SC2000 STANDARD & WATERFALL SMALL BOX 4"

MEASURING



Width: Determine the desired width. The width you order is the measurement outside of track to outside of track. If possible, add one inch (1") on each side for proper window coverage by the fabric. There will be a small 3/8" gap between the fabric edge and the track on each side unless you use Flange track which overlaps the fabric gap. If using cable guides instead of track, allow roughly 1 1/2" less fabric on each side. Adjust the width of the cassette accordingly to cover the opening if using cable guides.

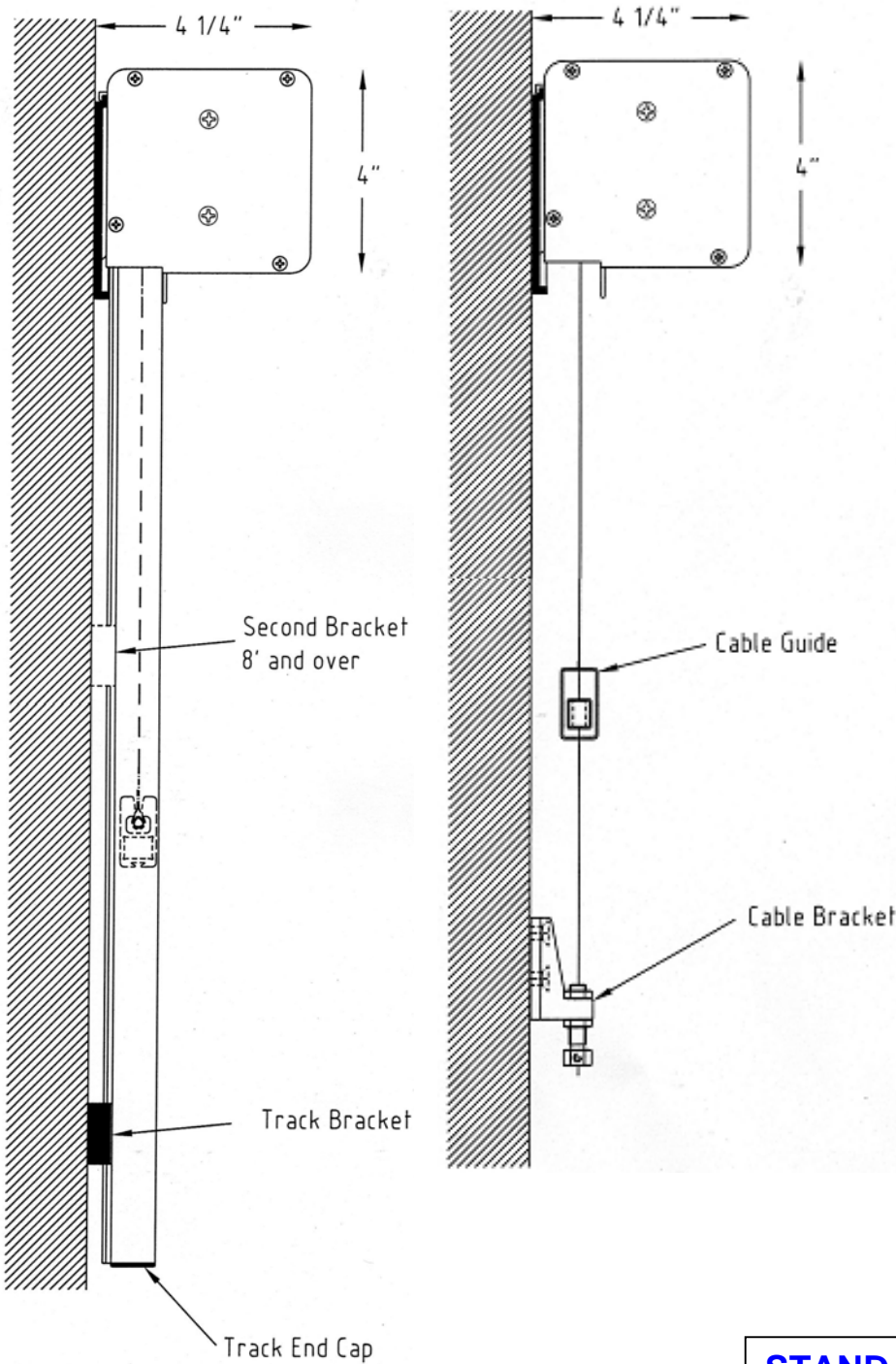
Height: Determine the height of the window or opening. The fabric or screen mesh should cover the height of the window. The height of the delivered screen includes the cassette. To calculate the height of the shade, add the height of the cassette (4") and the hem bar (2") to the total height of the window measurement (see to left and below). Note: Watch out for casement windows that will interfere with the hem bar when the shade is retracted (In such a case, mount the top of the cassette 6" above the opening window edge). In addition, if the hem bar needs to go below the glass area as not to be seen through the glass when the shade is lowered, add another 2" to the height, for a total of 8" (Glass height plus 8").



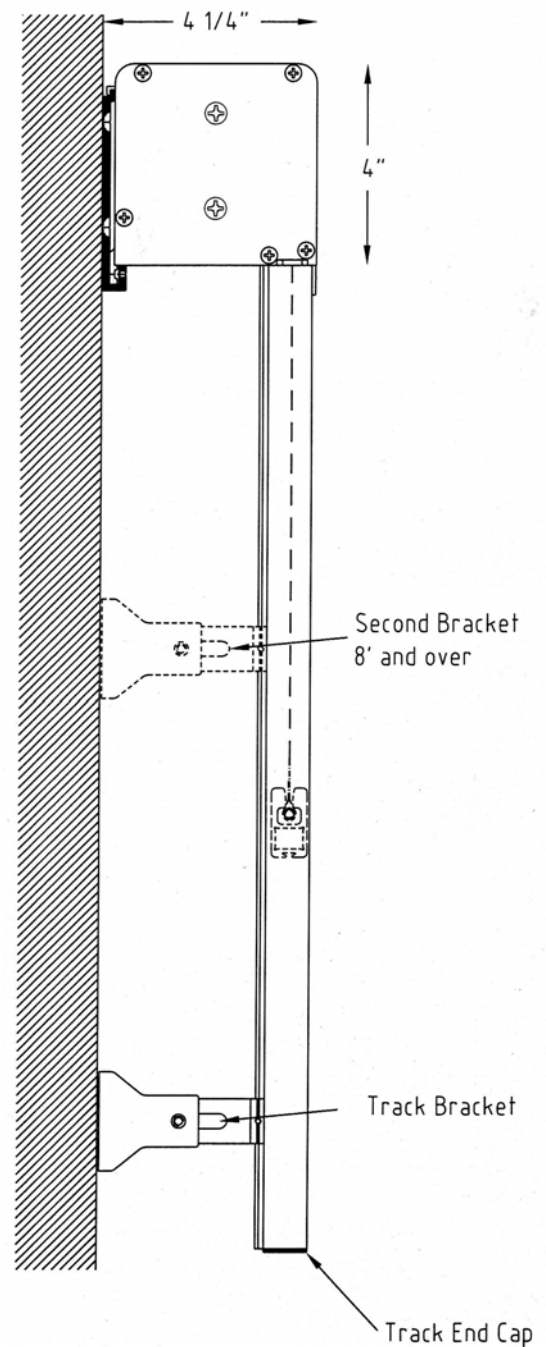
STANDARD TRACK SC2000 shown with track bracket

FLANGE Track SC2000

Standard box: with track or cable guides



Optional: Waterfall box



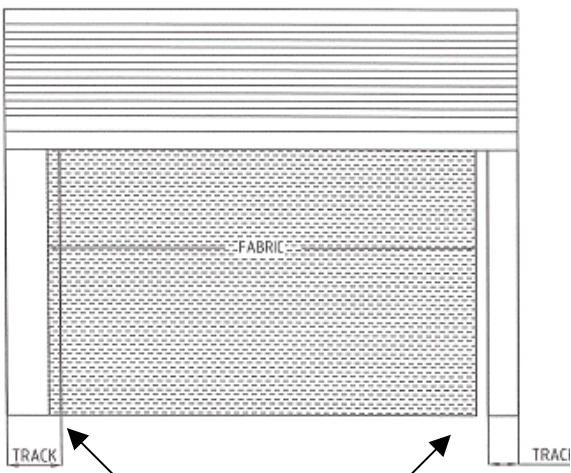
SIZES FOR SC2000 Mastershade®

- Max width 14 ft. with single fabric**
- Max width 24 ft. with split fabric (2 ea. fabrics)**
- Max drop 12 & 14 ft. (Depending on size)**

Note: Max drop depends on width and fabric type.

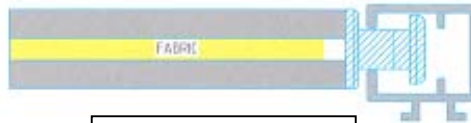
STANDARD type box is available with both track and cable guides see above

WATERFALL type box is used on applications where there are door handles or a wall may not be flush like an uneven rock wall. Cable guides are not available. **NOTE: Make sure you make the shade slightly wider for proper sun protection. The large gap between the fabric edge and glass area is much bigger than when using the standard box. Typically you will not use flange track with waterfall option.**



**Flange Track
No/gap in fabric**

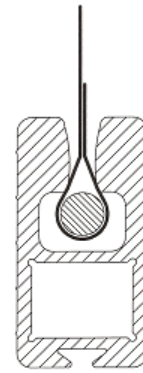
**Standard Track
W/gap in fabric**



Standard track



Flange track



Hem bar



Cable guide bracket

OPERATION TYPE:

TAPE OPERATION (Standard):

The shade can be operated either from the inside or outside with a simple tape pull (see below). A tape spool is available as an option instead of the tape lock and tassel.

GEAR OPERATION:

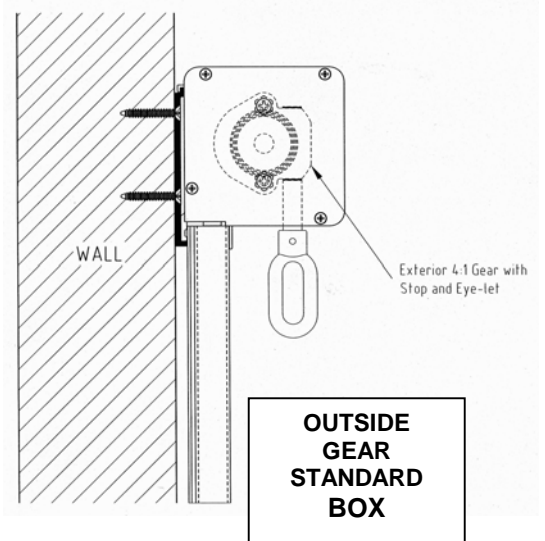
Operate the shade with a standard hand crank (4:1 ratio gear) from the inside or outside.

MOTORIZED OPERATION:

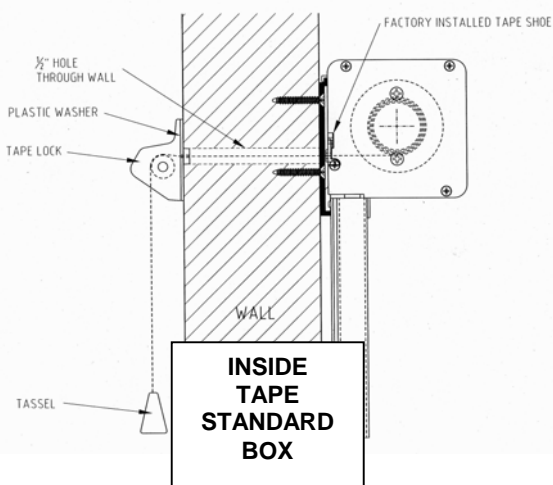
Use either a standard hardwire motor or upgrade to RTS ALTUS remote technology. The shade can then be operated with push button or remote control.

Minimum widths: Standard motor 26"
Altus motor 29"

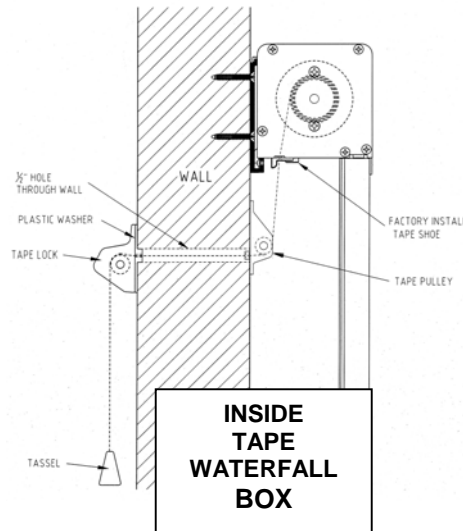
Manual CMO override is not available.



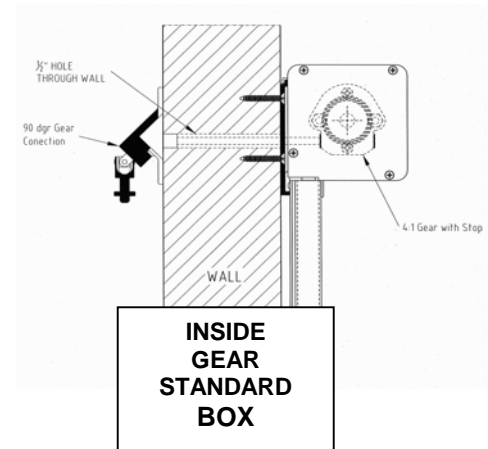
OUTSIDE GEAR STANDARD BOX



INSIDE TAPE STANDARD BOX



INSIDE TAPE WATERFALL BOX



INSIDE GEAR STANDARD BOX



SUNAIR® AWNINGS & SCREENS
©2012 AWNINGS UNLIMITED INC.
 P.O. Box 1068 7785 Rt. 175,
 Jessup, MD 20794

JESSUP, MD 800 – 548 – 0408
PHOENIX, AZ 877 – 272 - 3920