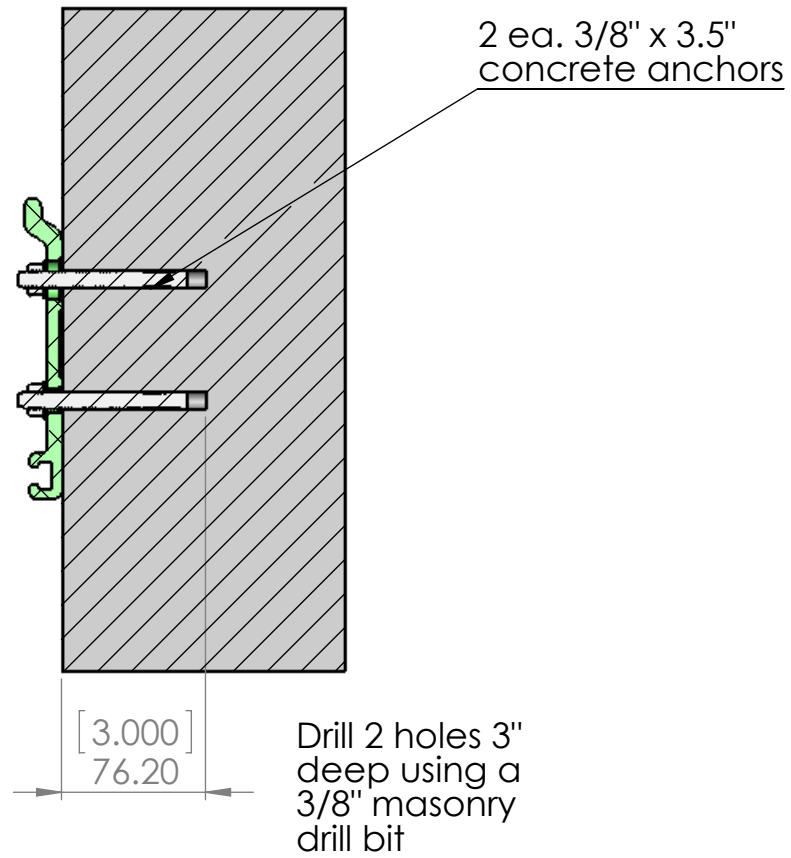
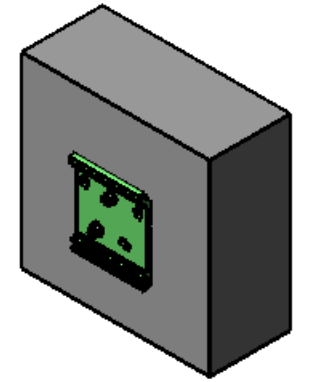
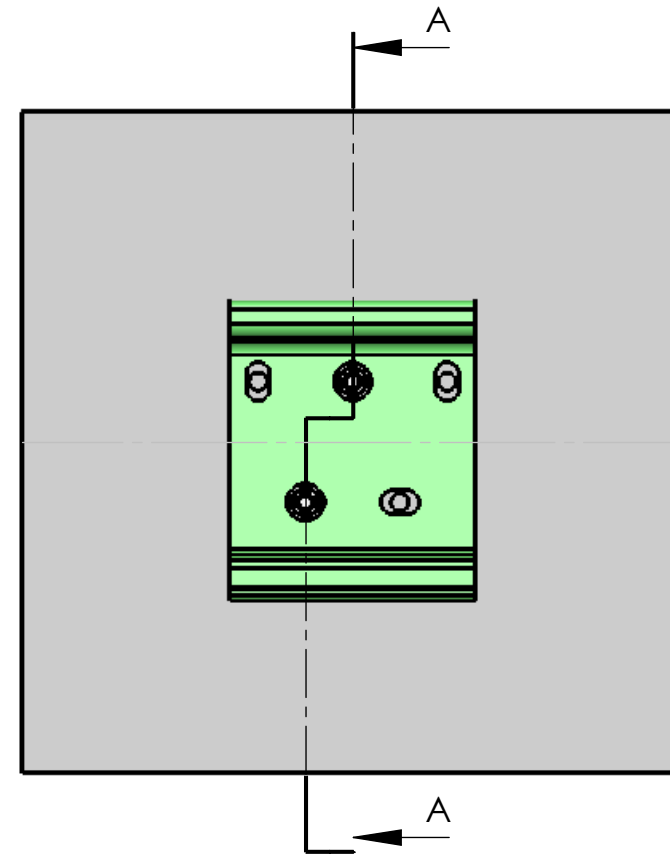


# Level Wall Bracket Concrete Installation



SECTION A-A  
SCALE 1 : 4



**PROPRIETARY AND CONFIDENTIAL**  
THE INFORMATION CONTAINED IN THIS DRAWING IS THE SOLE PROPERTY OF AWNINGS UNLIMITED INC. ANY REPRODUCTION IN PART OR AS A WHOLE WITHOUT THE WRITTEN PERMISSION OF AWNINGS UNLIMITED INC. IS PROHIBITED.

		UNLESS OTHERWISE SPECIFIED:		NAME	DATE	<b>SUNAIR AWNINGS</b>	
		DIMENSIONS ARE IN MM		DRAWN	JR		
		TOLERANCES:		CHECKED		TITLE:	
		FRACTIONAL ±		ENG APPR.		PERGOLA LEVEL WALL BRACKET INSTALLATION INTO CONCRETE	
		ANGULAR: MACH ± BEND ±		MFG APPR.		SIZE	
		TWO PLACE DECIMAL ±		Q.A.		DWG. NO.	
		THREE PLACE DECIMAL ±		COMMENTS:		REV	
		INTERPRET GEOMETRIC TOLERANCING PER:				SCALE: 1:5	
		MATERIAL				WEIGHT:	
NEXT ASSY		USED ON				SHEET 1 OF 1	
APPLICATION		DO NOT SCALE DRAWING					