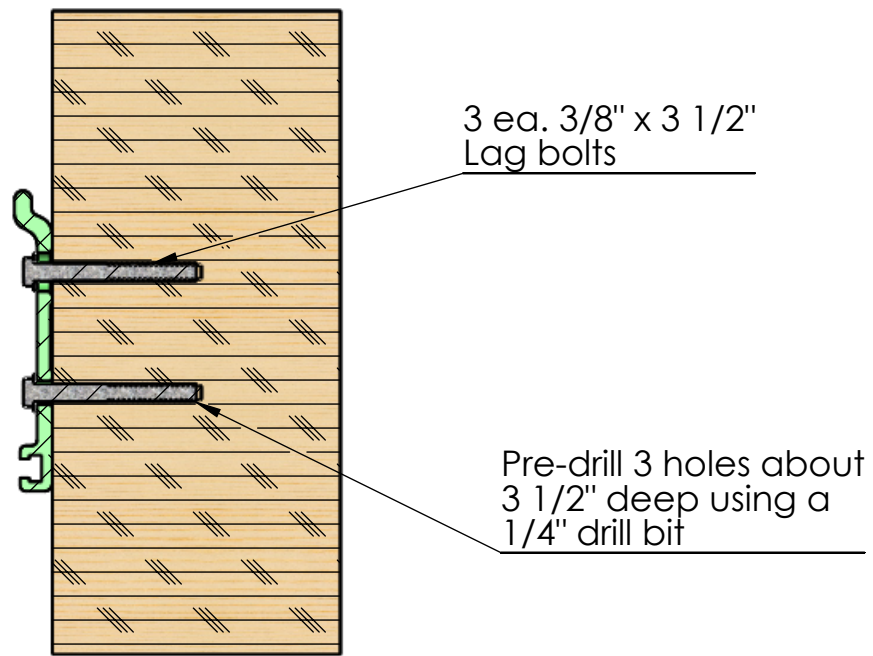
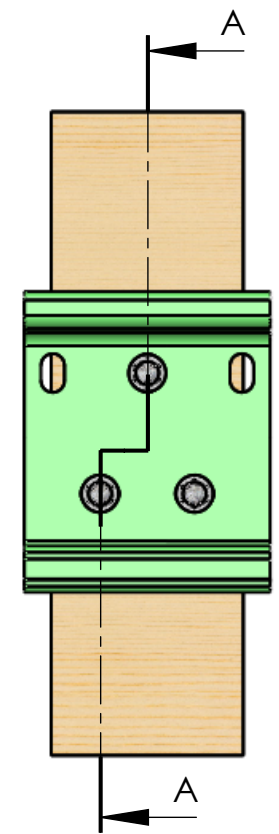


**Level Wall Bracket
Wood Installation**



SECTION A-A
SCALE 1 : 4



PROPRIETARY AND CONFIDENTIAL
THE INFORMATION CONTAINED IN THIS DRAWING IS THE SOLE PROPERTY OF AWNINGS UNLIMITED INC. ANY REPRODUCTION IN PART OR AS A WHOLE WITHOUT THE WRITTEN PERMISSION OF AWNINGS UNLIMITED INC. IS PROHIBITED.

UNLESS OTHERWISE SPECIFIED:	
DIMENSIONS ARE IN MM	
TOLERANCES:	
FRACTIONAL ±	
ANGULAR: MACH ±	BEND ±
TWO PLACE DECIMAL ±	
THREE PLACE DECIMAL ±	
INTERPRET GEOMETRIC TOLERANCING PER:	
MATERIAL	
FINISH	
NEXT ASSY	USED ON
APPLICATION	
DO NOT SCALE DRAWING	

NAME	DATE
JR	09/23/13
DRAWN	
CHECKED	
ENG APPR.	
MFG APPR.	
Q.A.	
COMMENTS:	

SUNAIR AWNINGS

TITLE:
PERGOLA LEVEL WALL BRACKET INSTALL. INTO 4" x 6" WOOD STRUCTURE

SIZE	DWG. NO.	REV
B		

SCALE: 1:2 WEIGHT: SHEET 1 OF 1