

# The Ideal Interior Shade To Filter Natural Light

## With Mastershade® Interior Screens



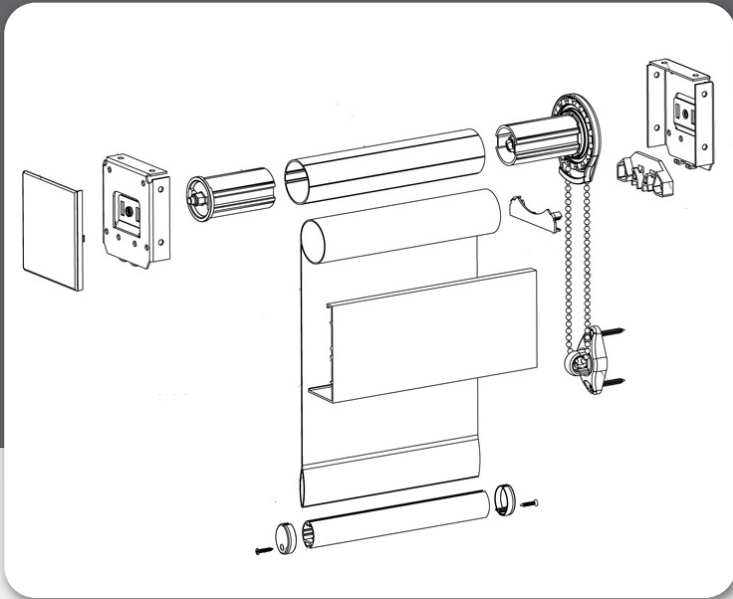
**MERMET** 

The **MASTERSHADE**® ISC Interior screen system from **Sunair**® is the perfect solution for maintaining shade and comfort in your home or office. The ISC **Mastershade**® dramatically decreases heat and glare caused by the sun. Our screens are the ideal solution for solar protection, shading or total black out by controlling or blocking the sunlight that penetrates your windows and doors. Our shades also protect your furniture, curtains and floor coverings! Imagine sitting at your computer or watching TV without being disturbed by too much sunlight and still having a view of the outside. The **Mastershade**® is available in hundreds of fabric colors and is operated either by a motor or manual controls.



[www.SunairAwnings.com](http://www.SunairAwnings.com)

Enjoy the sun when you want it and shade when you need it with the **Mastershade®** ISC Interior screen system. Our screens will significantly reduce indoor temperature while lowering cooling costs by blocking the sun's rays. Depending on the type of fabric used and size of the window, you may realize a reduction in air-conditioning costs. **Sunair®** has three ISC Screen models to fit your needs, depending on the size of the window.



**ISC6000 & ISC6500**

Max width 10 ft.  
Max drop 14 ft.

**ISC7000**

Max width 14 ft. / 24 ft.  
Max drop 14 ft.

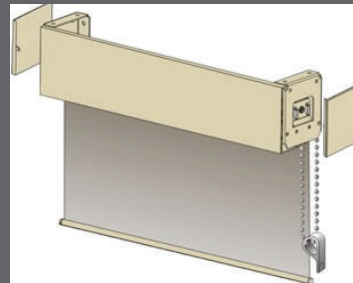
**Note:** Max drop depends on size for all models above and type of fabric used. For ISC7000 wider widths are possible with splits.



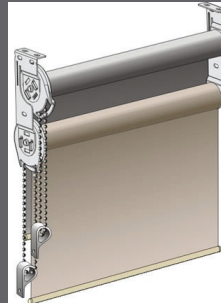
**SUNAIR®** only offers the best mesh for your screen. There are different mesh fabrics available offering both exceptional transparency and sun blocking capabilities. Our mesh patterns vary from 1 –10% open to completely opaque for room darkening purposes. Ask your **SUNAIR®** dealer which mesh fabric is best for your application.



**SUNPROOFING AMERICA!™**



ISC6000 with Pull Chain



ISC6500 Duo Shade with Pull Chain

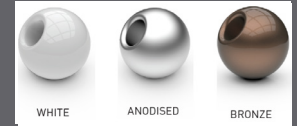


3" Square Fascia



4" Square Fascia

Available Fascia & Frame Colors



WHITE ANODISED BRONZE

**MOTOR OPTIONS**

SOMFY MOTORS feature an integrated radio receiver that allows you to operate the shade by remote. Hardwire or battery operated Sonesses motors are available. The optional "Sunis and Thermo Sunis sun sensors lower the shades automatically when needed.



Sunis & ThermoSunis Indoor WireFree™ RTS Sensors



**AUTHORIZED DEALER:**

[www.SunairAwnings.com](http://www.SunairAwnings.com)

Sunair® reserves the right to change engineering without notice ©2020 Sunair® Awnings & Screens.

Sunair® Awnings, 7785 Rt. 175 Jessup, MD 20794  
©2020 Awnings Unlimited Inc.  
Jessup, MD 410.799.1145 Phoenix, AZ